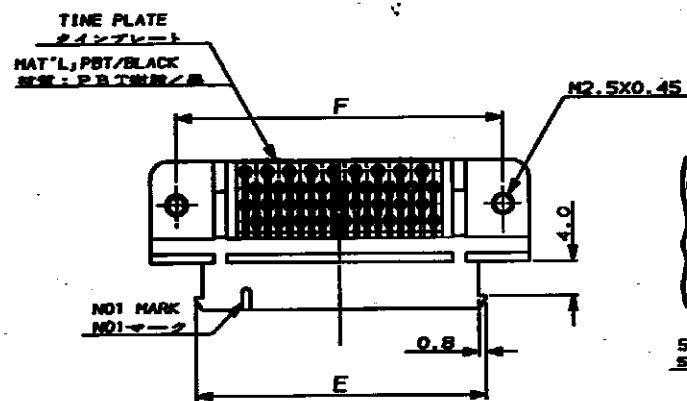
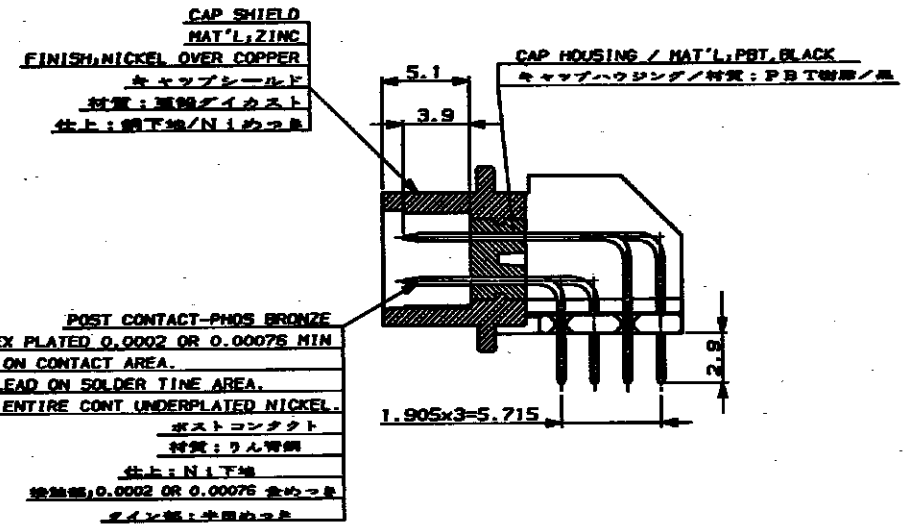
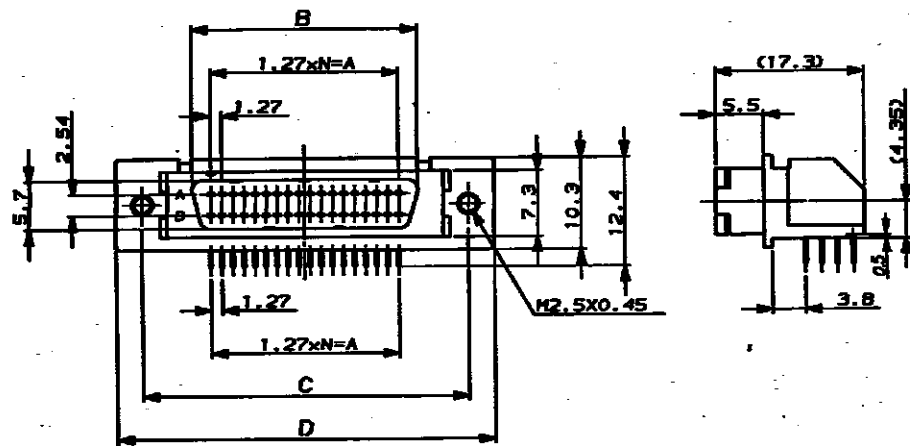


METRIC C-174225



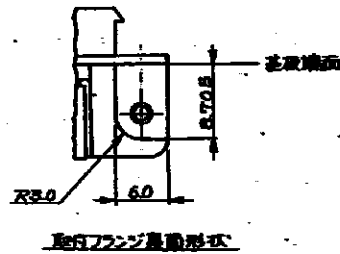
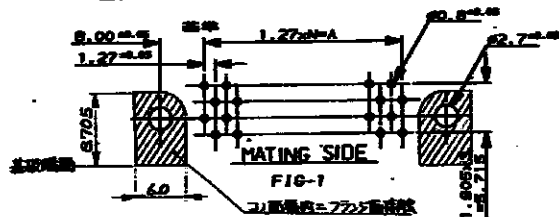
50P05(-4) ONLY
50P05(-4)のみ



TOP OF POST (SOLDER SIDE)
ポスト先端形状
(寸法図)

NOTES;
注記

- P.C. BOARD HOLE LAY-OUT AS SHOWN FIG-1.
基板パターンはFIG-1に示す通り。



- Use N2.5 screws.
USED SCREW SIZE, N2.5 PANHEAD SCREW

- Connector to be mated:
174340-X, 2-174340-X

| | | | | | | | | |
|-----|----|-------|-------|------|------|-------|------|--------------------------|
| 96 | 47 | 59.69 | 64.06 | 75.7 | 81.7 | 71.49 | 75.7 | 2-174225-6 |
| 68 | 39 | 41.91 | 46.28 | 57.9 | 63.9 | 53.71 | 57.9 | 2-174225-5 |
| 50 | 24 | 30.48 | 34.85 | 46.5 | 52.5 | 42.28 | 46.5 | 0.00078MIN 2-174225-4 |
| 36 | 17 | 21.59 | 25.96 | 37.6 | 43.6 | 33.39 | 37.6 | 2-174225-3 |
| 28 | 13 | 16.51 | 20.88 | 32.5 | 38.5 | 28.31 | 32.5 | 2-174225-2 |
| 20 | 9 | 11.43 | 15.8 | 27.4 | 33.4 | 23.23 | 27.4 | 2-174225-1 |
| 96 | 47 | 59.69 | 64.06 | 75.7 | 81.7 | 71.49 | 75.7 | 174225-6 |
| 68 | 39 | 41.91 | 46.28 | 57.9 | 63.9 | 53.71 | 57.9 | 174225-5 |
| 50 | 24 | 30.48 | 34.85 | 46.5 | 52.5 | 42.28 | 46.5 | 0.0002 MIN 174225-4 |
| 36 | 17 | 21.59 | 25.96 | 37.6 | 43.6 | 33.39 | 37.6 | 174225-3 |
| 28 | 13 | 16.51 | 20.88 | 32.5 | 38.5 | 28.31 | 32.5 | 174225-2 |
| 20 | 9 | 11.43 | 15.8 | 27.4 | 33.4 | 23.23 | 27.4 | 174225-1 |
| POS | N | A | B | C | D | E | F | GOLD THK |
| | | | | | | | | PART NUMBER |

© 19 BY AMP (Japan) LTD. ALL RIGHTS RESERVED.

AMP Tokyo, Japan

WIRE RANGE: 20-96
INSULATION DIA: 0.10-0.15
NAME: POST HEADER (HORIZONTAL / N2.5)
AMPLINITE OSD SERIES I CONN. TYPE B

| | | | |
|-----------------------|--------------|------|----------|
| C. CHANGED AMP J-0053 | Y.K. | DATE | 11/20/80 |
| A. REVISION CHANGE | R. NISHIMURA | DATE | 11/20/80 |

GENERAL TOLERANCE: 0-10: ±0.2, 10-30: ±0.25, 30-100: ±0.3, 100-1000: ±0.5
SCALE: 2-1
REV: C
SHEET: 1 OF 1

CUSTOMER DRAWING