

DAQ

653X User Manual

High-Speed Digital I/O Devices for
PCI, PXI™, CompactPCI, AT, EISA,
and PCMCIA Bus Systems

Worldwide Technical Support and Product Information

ni.com

National Instruments Corporate Headquarters

11500 North Mopac Expressway Austin, Texas 78759-3504 USA Tel: 512 794 0100

Worldwide Offices

Australia 03 9879 5166, Austria 0662 45 79 90 0, Belgium 02 757 00 20, Brazil 011 284 5011,
Canada (Calgary) 403 274 9391, Canada (Ottawa) 613 233 5949, Canada (Québec) 514 694 8521,
China (Shanghai) 021 6555 7838, China (ShenZhen) 0755 3904939, Denmark 45 76 26 00,
Finland 09 725 725 11, France 01 48 14 24 24, Germany 089 741 31 30, Greece 30 1 42 96 427,
Hong Kong 2645 3186, India 91805275406, Israel 03 6120092, Italy 02 413091, Japan 03 5472 2970,
Korea 02 596 7456, Mexico 5 280 7625, Netherlands 0348 433466, New Zealand 09 914 0488,
Norway 32 27 73 00, Poland 0 22 528 94 06, Portugal 351 1 726 9011, Singapore 2265886, Spain 91 640 0085,
Sweden 08 587 895 00, Switzerland 056 200 51 51, Taiwan 02 2528 7227, United Kingdom 01635 523545

For further support information, see the *Technical Support Resources* appendix. To comment on the documentation, send e-mail to techpubs@ni.com

© Copyright 1997, 2001 National Instruments Corporation. All rights reserved.

Important Information

Warranty

The AT-DIO-32HS, DAQCard-6533 for PCMCIA, PCI-6534, PCI-DIO-32HS, PXI-6533, and PXI-6534 devices are warranted against defects in materials and workmanship for a period of one year from the date of shipment, as evidenced by receipts or other documentation. National Instruments will, at its option, repair or replace equipment that proves to be defective during the warranty period. This warranty includes parts and labor.

The media on which you receive National Instruments software are warranted not to fail to execute programming instructions, due to defects in materials and workmanship, for a period of 90 days from date of shipment, as evidenced by receipts or other documentation. National Instruments will, at its option, repair or replace software media that do not execute programming instructions if National Instruments receives notice of such defects during the warranty period. National Instruments does not warrant that the operation of the software shall be uninterrupted or error free.

A Return Material Authorization (RMA) number must be obtained from the factory and clearly marked on the outside of the package before any equipment will be accepted for warranty work. National Instruments will pay the shipping costs of returning to the owner parts which are covered by warranty.

National Instruments believes that the information in this document is accurate. The document has been carefully reviewed for technical accuracy. In the event that technical or typographical errors exist, National Instruments reserves the right to make changes to subsequent editions of this document without prior notice to holders of this edition. The reader should consult National Instruments if errors are suspected. In no event shall National Instruments be liable for any damages arising out of or related to this document or the information contained in it.

EXCEPT AS SPECIFIED HEREIN, NATIONAL INSTRUMENTS MAKES NO WARRANTIES, EXPRESS OR IMPLIED, AND SPECIFICALLY DISCLAIMS ANY WARRANTY OF MERCHANTABILITY OR FITNESS FOR A PARTICULAR PURPOSE. CUSTOMER'S RIGHT TO RECOVER DAMAGES CAUSED BY FAULT OR NEGLIGENCE ON THE PART OF NATIONAL INSTRUMENTS SHALL BE LIMITED TO THE AMOUNT THEREFORE PAID BY THE CUSTOMER. NATIONAL INSTRUMENTS WILL NOT BE LIABLE FOR DAMAGES RESULTING FROM LOSS OF DATA, PROFITS, USE OF PRODUCTS, OR INCIDENTAL OR CONSEQUENTIAL DAMAGES, EVEN IF ADVISED OF THE POSSIBILITY THEREOF. This limitation of the liability of National Instruments will apply regardless of the form of action, whether in contract or tort, including negligence. Any action against National Instruments must be brought within one year after the cause of action accrues. National Instruments shall not be liable for any delay in performance due to causes beyond its reasonable control. The warranty provided herein does not cover damages, defects, malfunctions, or service failures caused by owner's failure to follow the National Instruments installation, operation, or maintenance instructions; owner's modification of the product; owner's abuse, misuse, or negligent acts; and power failure or surges, fire, flood, accident, actions of third parties, or other events outside reasonable control.

Copyright

Under the copyright laws, this publication may not be reproduced or transmitted in any form, electronic or mechanical, including photocopying, recording, storing in an information retrieval system, or translating, in whole or in part, without the prior written consent of National Instruments Corporation.

Trademarks

ComponentWorks™, CVI™, DAQCard™, IMAQ™, IVI™, LabVIEW™, Measurement Studio™, MITE™, National Instruments™, ni.com™, NI-DAQ™, PXI™, RTSI™, SCXI™, and VirtualBench™ are trademarks of National Instruments Corporation.

Product and company names mentioned herein are trademarks or trade names of their respective companies.

WARNING REGARDING USE OF NATIONAL INSTRUMENTS PRODUCTS

(1) NATIONAL INSTRUMENTS PRODUCTS ARE NOT DESIGNED WITH COMPONENTS AND TESTING FOR A LEVEL OF RELIABILITY SUITABLE FOR USE IN OR IN CONNECTION WITH SURGICAL IMPLANTS OR AS CRITICAL COMPONENTS IN ANY LIFE SUPPORT SYSTEMS WHOSE FAILURE TO PERFORM CAN REASONABLY BE EXPECTED TO CAUSE SIGNIFICANT INJURY TO A HUMAN.

(2) IN ANY APPLICATION, INCLUDING THE ABOVE, RELIABILITY OF OPERATION OF THE SOFTWARE PRODUCTS CAN BE IMPAIRED BY ADVERSE FACTORS, INCLUDING BUT NOT LIMITED TO FLUCTUATIONS IN ELECTRICAL POWER SUPPLY, COMPUTER HARDWARE MALFUNCTIONS, COMPUTER OPERATING SYSTEM SOFTWARE FITNESS, FITNESS OF COMPILERS AND DEVELOPMENT SOFTWARE USED TO DEVELOP AN APPLICATION, INSTALLATION ERRORS, SOFTWARE AND HARDWARE COMPATIBILITY PROBLEMS, MALFUNCTIONS OR FAILURES OF ELECTRONIC MONITORING OR CONTROL DEVICES, TRANSIENT FAILURES OF ELECTRONIC SYSTEMS (HARDWARE AND/OR SOFTWARE), UNANTICIPATED USES OR MISUSES, OR ERRORS ON THE PART OF THE USER OR APPLICATIONS DESIGNER (ADVERSE FACTORS SUCH AS THESE ARE HEREAFTER COLLECTIVELY TERMED "SYSTEM FAILURES"). ANY APPLICATION WHERE A SYSTEM FAILURE WOULD CREATE A RISK OF HARM TO PROPERTY OR PERSONS (INCLUDING THE RISK OF BODILY INJURY AND DEATH) SHOULD NOT BE RELIANT SOLELY UPON ONE FORM OF ELECTRONIC SYSTEM DUE TO THE RISK OF SYSTEM FAILURE. TO AVOID DAMAGE, INJURY, OR DEATH, THE USER OR APPLICATION DESIGNER MUST TAKE REASONABLY PRUDENT STEPS TO PROTECT AGAINST SYSTEM FAILURES, INCLUDING BUT NOT LIMITED TO BACK-UP OR SHUT DOWN MECHANISMS. BECAUSE EACH END-USER SYSTEM IS CUSTOMIZED AND DIFFERS FROM NATIONAL INSTRUMENTS' TESTING PLATFORMS AND BECAUSE A USER OR APPLICATION DESIGNER MAY USE NATIONAL INSTRUMENTS PRODUCTS IN COMBINATION WITH OTHER PRODUCTS IN A MANNER NOT EVALUATED OR CONTEMPLATED BY NATIONAL INSTRUMENTS, THE USER OR APPLICATION DESIGNER IS ULTIMATELY RESPONSIBLE FOR VERIFYING AND VALIDATING THE SUITABILITY OF NATIONAL INSTRUMENTS PRODUCTS WHENEVER NATIONAL INSTRUMENTS PRODUCTS ARE INCORPORATED IN A SYSTEM OR APPLICATION, INCLUDING, WITHOUT LIMITATION, THE APPROPRIATE DESIGN, PROCESS AND SAFETY LEVEL OF SUCH SYSTEM OR APPLICATION.

Compliance

FCC/Canada Radio Frequency Interference Compliance*

Determining FCC Class

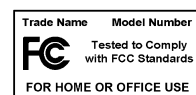
The Federal Communications Commission (FCC) has rules to protect wireless communications from interference. The FCC places digital electronics into two classes. These classes are known as Class A (for use in industrial-commercial locations only) or Class B (for use in residential or commercial locations). Depending on where it is operated, this product could be subject to restrictions in the FCC rules. (In Canada, the Department of Communications (DOC), of Industry Canada, regulates wireless interference in much the same way.)

Digital electronics emit weak signals during normal operation that can affect radio, television, or other wireless products. By examining the product you purchased, you can determine the FCC Class and therefore which of the two FCC/DOC Warnings apply in the following sections. (Some products may not be labeled at all for FCC; if so, the reader should then assume these are Class A devices.)

FCC Class A products only display a simple warning statement of one paragraph in length regarding interference and undesired operation. Most of our products are FCC Class A. The FCC rules have restrictions regarding the locations where FCC Class A products can be operated.

FCC Class B products display either a FCC ID code, starting with the letters **EXN**, or the FCC Class B compliance mark that appears as shown here on the right.

Consult the FCC web site <http://www.fcc.gov> for more information.



FCC/DOC Warnings

This equipment generates and uses radio frequency energy and, if not installed and used in strict accordance with the instructions in this manual and the CE Mark Declaration of Conformity**, may cause interference to radio and television reception. Classification requirements are the same for the Federal Communications Commission (FCC) and the Canadian Department of Communications (DOC).

Changes or modifications not expressly approved by National Instruments could void the user's authority to operate the equipment under the FCC Rules.

Class A

Federal Communications Commission

This equipment has been tested and found to comply with the limits for a Class A digital device, pursuant to part 15 of the FCC Rules. These limits are designed to provide reasonable protection against harmful interference when the equipment is operated in a commercial environment. This equipment generates, uses, and can radiate radio frequency energy and, if not installed and used in accordance with the instruction manual, may cause harmful interference to radio communications. Operation of this equipment in a residential area is likely to cause harmful interference in which case the user will be required to correct the interference at his own expense.

Canadian Department of Communications

This Class A digital apparatus meets all requirements of the Canadian Interference-Causing Equipment Regulations.

Cet appareil numérique de la classe A respecte toutes les exigences du Règlement sur le matériel brouilleur du Canada.

Class B

Federal Communications Commission

This equipment has been tested and found to comply with the limits for a Class B digital device, pursuant to part 15 of the FCC Rules. These limits are designed to provide reasonable protection against harmful interference in a residential installation. This equipment generates, uses and can radiate radio frequency energy and, if not installed and used in accordance with the instructions, may cause harmful interference to radio communications. However, there is no guarantee that interference will not occur in a particular installation. If this equipment does cause harmful interference to radio or television reception, which can be determined by turning the equipment off and on, the user is encouraged to try to correct the interference by one or more of the following measures:

- Reorient or relocate the receiving antenna.
- Increase the separation between the equipment and receiver.

- Connect the equipment into an outlet on a circuit different from that to which the receiver is connected.
- Consult the dealer or an experienced radio/TV technician for help.

Canadian Department of Communications

This Class B digital apparatus meets all requirements of the Canadian Interference-Causing Equipment Regulations.

Cet appareil numérique de la classe B respecte toutes les exigences du Règlement sur le matériel brouilleur du Canada.

European Union - Compliance to EEC Directives

Readers in the EU/EEC/EEA must refer to the Manufacturer's Declaration of Conformity (DoC) for information** pertaining to the CE Mark compliance scheme. The Manufacturer includes a DoC for most every hardware product except for those bought for OEMs, if also available from an original manufacturer that also markets in the EU, or where compliance is not required as for electrically benign apparatus or cables.

* Certain exemptions may apply in the USA, see FCC Rules §15.103 **Exempted devices**, and §15.105(c). Also available in sections of CFR 47.

** The CE Mark Declaration of Conformity will contain important supplementary information and instructions for the user or installer.

Conventions

The following conventions appear in this manual:

<>

Angle brackets that contain numbers separated by an ellipsis represent a range of values associated with a bit or signal name—for example, DBIO<3..0>.

»

The » symbol leads you through nested menu items and dialog box options to a final action. The sequence **File»Page Setup»Options** directs you to pull down the **File** menu, select the **Page Setup** item, and select **Options** from the last dialog box.



This icon denotes a tip, which alerts you to advisory information.



This icon denotes a note, which alerts you to important information.



This icon denotes a caution, which advises you of precautions to take to avoid injury, data loss, or a system crash.



This icon denotes a warning, which advises you of precautions to take to avoid being electrically shocked.

bold

Bold text denotes items that you must select or click on in the software, such as menu items and dialog box options. Bold text also denotes parameter names.

italic

Italic text denotes variables, emphasis, a cross reference, or an introduction to a key concept. This font also denotes text that is a placeholder for a word or value that you must supply.

monospace

Text in this font denotes text or characters that you should enter from the keyboard, sections of code, programming examples, and syntax examples. This font is also used for the proper names of disk drives, paths, directories, programs, subprograms, subroutines, device names, functions, operations, variables, filenames and extensions, and code excerpts.

Contents

Chapter 1

Getting Started with Your 653X

653X Device Overview	1-1
Control Lines	1-1
What You Need to Get Started	1-2
Choosing Your Programming Software	1-3
National Instruments Application Software	1-3
NI-DAQ Driver Software	1-4
Installing Your Software.....	1-5
Unpacking Your 653X Device.....	1-5
Installing Your 653X Device	1-6
Installing the PCI-DIO-32HS, PCI-6534, or PCI-7030/6533	1-6
Installing the PXI-6533, PXI-6534, or PXI-7030/6533	1-7
Installing the AT-DIO-32HS.....	1-7
Installing the DAQCard-6533 for PCMCIA	1-8
Configuring the 653X.....	1-8
In Windows	1-8
In Mac OS.....	1-9

Chapter 2

Using Your 653X

Choosing the Correct Mode for Your Application	2-1
Controlling and Monitoring Static Digital Lines—Unstrobed I/O	2-2
Configuring Digital Lines.....	2-2
Standard Output	2-2
Wired-OR Output.....	2-2
Using Control Lines as Extra Unstrobed Data Lines	2-3
Connecting Signals	2-4
Creating a Program.....	2-4
Programming the Control/Timing Lines as Extra Unstrobed Data Lines	2-5
Transferring Data Between Two Devices—Handshaking I/O	2-6
Deciding the Width of Data to Transfer	2-6
Deciding Data Transfer Direction	2-6
Deciding Which Handshaking Protocol to Use.....	2-7
Using the Burst Protocol	2-7
Deciding the PCLK Signal Direction.....	2-7
Selecting ACK/REQ Signal Polarity.....	2-8

Choosing Whether or Not to Use a Programmable Delay	2-8
Choosing Continuous or Finite Data Transfer	2-9
Finite Transfers	2-9
Continuous Input	2-9
Continuous Output	2-9
Choosing DMA or Interrupt Transfers	2-10
Connecting Signals	2-10
Choosing the Startup Sequence.....	2-11
Using an Initialization Order	2-11
Controlling Line Polarities	2-12
Creating a Program	2-12
Generating and Receiving Digital Patterns and Waveforms—Pattern I/O	2-17
Deciding the Width of Data to Transfer.....	2-17
Deciding Transfer Direction	2-18
Choosing an Internal or External REQ Source	2-18
Deciding the REQ Polarity	2-18
Deciding the Transfer Rate	2-18
Deciding How to Start and Stop Data Transfer—Triggering	2-19
Start and Stop Trigger.....	2-20
Choosing Continuous or Finite Data Transfer	2-21
Finite Transfers	2-21
Continuous Input	2-21
Continuous Output.....	2-22
Choosing DMA or Interrupt Transfers	2-22
Monitoring Data Transfer	2-23
Connecting Signals	2-23
Creating a Program	2-24
Monitoring Line State—Change Detection.....	2-26
Deciding the Width of Data to Acquire	2-26
Deciding Which Lines You Want to Monitor.....	2-27
Deciding How to Start and Stop Data Transfer—Triggering	2-27
Start and Stop Trigger.....	2-28
Choosing Continuous or Finite Data Transfer	2-30
Finite Transfers	2-30
Continuous Input	2-30
Choosing DMA or Interrupt Transfers	2-31
Connecting Signals	2-31
Creating a Program	2-31

Chapter 3

Timing Diagrams

Pattern I/O Timing Diagrams	3-1
Internal REQ Signal Source	3-1

External REQ Signal Source	3-2
Handshaking I/O Timing Diagrams	3-4
Comparing the Different Handshaking Protocols	3-4
Using the Burst Protocol	3-5
Using Asynchronous Protocols	3-12
Using the 8255-Emulation Protocol	3-12
Using the Level-ACK Protocol	3-18
Using Protocols Based on Signal Edges.....	3-24
Using the Trailing-Edge Protocol.....	3-25

Appendix A Specifications

Appendix B Using PXI with CompactPCI

Appendix C Connecting Signals with Accessories

Appendix D Hardware Considerations

Appendix E Optimizing Your Transfer Rates

Appendix F Technical Support Resources

Glossary

Index

Getting Started with Your 653X

The *653X User Manual* describes installing, configuring, setting up, and programming applications for your AT-DIO-32HS, DAQCard-6533 for PCMCIA, PCI-6534, PCI-DIO-32HS, PXI-6533, PXI-6534, or PCI/PXI-7030/6533 device.

653X Device Overview

With 653X devices, you can use your computer or chassis as a digital I/O tester, logic analyzer, or system controller for laboratory testing, production testing, and industrial process monitoring and control.

Each 653X device provides 32 digital data lines that are individually configurable as input or output, grouped into four 8-bit ports. Each line can sink or source 24 mA of current.

The 6534 devices contain onboard memory, enabling you to transfer data to/from this memory at a guaranteed rate. This memory feature removes the dependency on the host computer bus for applications that require guaranteed transfer rates.

The PCI/PXI-7030/6533 is an RT Series DAQ device that contains a processor board (7030), a daughter device, and an independent processor that runs LabVIEW Real-Time applications. The 6533 daughter device contains all the features and functions of the PCI/PXI-6533 devices described in this manual. For more information about your PCI/PXI-7030/6533 device, see the *RT Series DAQ Device User Manual*.

Detailed 653X device specifications are in Appendix A, *Specifications*.

Control Lines

In addition to controlling and monitoring relay-type applications, your device also provides two timing/handshaking controllers for high-speed data transfer. They are named Group 1 and Group 2. Each group has four control lines which can be used to time the input/output of data with hardware precision.

Use Group 1 and 2 to:

- Generate or receive digital patterns and waveforms timed by a TTL clock
- Transfer data between two devices using one of six configurable handshaking protocols
- Acquire a digital pattern every time the state of a data line changes

What You Need to Get Started

To begin using your 653X device, you need the following:

- One or more of the following devices:
 - AT-DIO-32HS
 - DAQCard-6533 for PCMCIA
 - PCI-6534
 - PCI-DIO-32HS
 - PXI-6533
 - PXI-6534
 - PCI or PXI-7030/6533 (RT Series DAQ device)
- 653X User Manual*
- NI-DAQ (for PC compatibles or Mac OS)
- Software environments supported by NI-DAQ (optional):
 - LabVIEW (for Windows or Mac OS)
 - LabVIEW Real-Time (LabVIEW RT)
 - Measurement Studio (for Windows only)
 - Virtual Bench
 - Other supported compilers
- The appropriate signal connector
- The appropriate shielded or ribbon cable. Refer to Appendix C, [Connecting Signals with Accessories](#), for specific information about cables that are compatible with your device.
- Your computer or PXI/CompactPCI chassis and controller

Choosing Your Programming Software

When programming your National Instruments measurement hardware, you can use either National Instruments application software or another application development environment (ADE).

National Instruments Application Software

LabVIEW and LabVIEW RT feature interactive graphics, a state-of-the-art user interface, and a powerful graphical programming language. The LabVIEW Data Acquisition Virtual Instrument (VI) Library, a series of virtual instruments for using LabVIEW with National Instruments DAQ hardware, is included with LabVIEW. The LabVIEW Data Acquisition VI Library is functionally equivalent to the NI-DAQ API.

As with LabVIEW, you develop your LabVIEW RT applications with graphical programming, then download the program to run on an independent hardware target with a real-time operating system. LabVIEW RT allows you to use the 6533 digital DAQ devices in two different configurations: PCI/PXI-7030/6533 devices, and PXI-6533 devices in PXI systems being controlled in real time by LabVIEW RT.

Measurement Studio, which includes LabWindows/CVI, tools for Visual C++, and tools for Visual Basic, is a development suite that allows you to use ANSI C, Visual C++, and Visual Basic to design your test and measurement software. For C developers, Measurement Studio includes LabWindows/CVI, a fully integrated ANSI C application development environment that features interactive graphics and the LabWindows/CVI Data Acquisition and Easy I/O libraries. For Visual Basic developers, Measurement Studio features a set of ActiveX controls for using National Instruments DAQ hardware. These ActiveX controls provide a high-level programming interface for building virtual instruments. For Visual C++ developers, Measurement Studio offers a set of Visual C++ classes and tools to integrate those classes into Visual C++ applications. The libraries, ActiveX controls, and classes are available with Measurement Studio and the NI-DAQ software.

VirtualBench features virtual instruments that combine DAQ products, software, and your computer to create a stand-alone instrument with the added benefits of the processing, display, and storage capabilities of your computer. VirtualBench instruments load and save waveform data to disk in the same forms that can be used in popular spreadsheet programs and word processors.

Using LabVIEW, Measurement Studio, or VirtualBench software greatly reduces the development time for your data acquisition and control application.

NI-DAQ Driver Software

The NI-DAQ driver software shipped with your 653X device has an extensive library of functions that you can call from your application programming environment. These functions allow you to use all the features of your 653X device.

NI-DAQ addresses many of the complex issues between the computer and the DAQ hardware, such as programming interrupts. NI-DAQ maintains a consistent software interface among its different versions so that you can change platforms with minimal modifications to your code. Whether you are using LabVIEW, Measurement Studio, or another programming language, your application uses the NI-DAQ driver software, as illustrated in Figure 1-1.

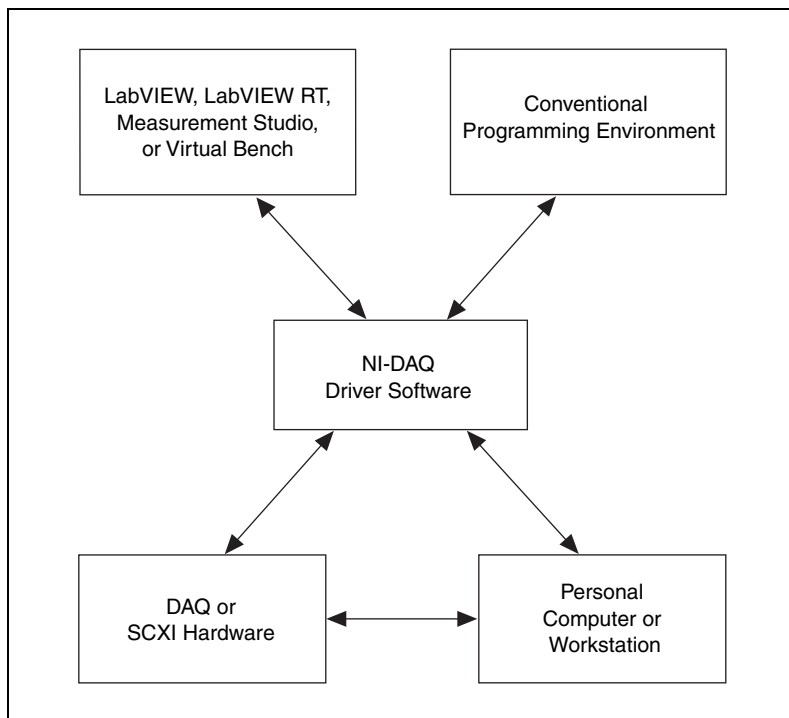


Figure 1-1. The Relationship Between the Programming Environment, NI-DAQ, and Your Hardware

To download a free copy of the most recent version of NI-DAQ, click **Download Software** at ni.com. Find NI-DAQ compatibility for your device using the following table:

Device Supported	NI-DAQ Version	
	Windows	Mac
PCI-DIO-32HS	Version 5.0 or later	Version 6.1.0 or later
AT-DIO-32HS	Version 5.0 or later	N/A
PXI-6533	Version 5.1 or later	Version 6.1.3 or later
DAQCard-6533 for PCMCIA	Version 5.1 or later	Version 6.1.0 or later
PXI-6534	Version 6.9 or later	N/A
PCI-6534	Version 6.9 or later	N/A
PCI or PXI-7030/6533	Version 6.5.2 or later	N/A

Installing Your Software

Install application development software, such as LabVIEW or Measurement Studio, according to instructions on the CD and the release notes. If NI-DAQ was not installed with your ADE, then install NI-DAQ according to the instructions on the CD and the *DAQ Quick Start Guide* included with your device.



Note It is important to install the NI-DAQ driver software before installing your device(s) to ensure the device(s) are properly detected.

Unpacking Your 653X Device

Your 653X device is shipped in an antistatic package to prevent electrostatic damage to the device. To avoid such damage in handling the device, take the following precautions:

- Ground yourself via a grounding strap or by holding a grounded object.
- Touch the antistatic package to a metal part of your computer chassis before removing the device from the package.



Caution *Never* touch the exposed pins of connectors to prevent electrostatic discharge from damaging the device.

Remove the device from the package and inspect the device for loose components or any sign of damage. Notify National Instruments if the device appears damaged in any way. Do *not* install a damaged device into your computer.

Store your 653X device in the antistatic envelope when not in use.

Installing Your 653X Device

The following are general installation instructions. Consult your computer or chassis user manual or technical reference manual for specific instructions and warnings about installing new devices.



Note It is important to install the NI-DAQ driver software before installing your device(s) to ensure the device(s) are properly detected.

Installing the PCI-DIO-32HS, PCI-6534, or PCI-7030/6533

You can install a PCI-DIO-32HS, PCI-6534, or PCI-7030/6533 device in any available 5 V PCI expansion slot in your computer.

1. Turn off and unplug your computer.
2. Remove the cover.
3. Remove the expansion slot cover on the back panel of the computer.
4. Touch a metal part of your computer chassis to discharge any static electricity that might be on your clothes or body.
5. Insert the 653X device into a 5 V PCI slot. It can be a tight fit, but do *not* force the device into place.
6. Screw the mounting bracket of the 653X device to the back panel rail of the computer.
7. Visually verify the installation. Make sure the device is not touching other boards or components and is inserted fully in the slot.
8. Replace the cover of your computer.
9. Plug in and turn on your computer.

Now that your 653X device is installed, it is ready to be configured.

Installing the PXI-6533, PXI-6534, or PXI-7030/6533

You can install a PXI-653X or PXI-7030/6533 device any available 5 V peripheral slot in your PXI or CompactPCI chassis.



Note Your PXI device has connections to several reserved lines on the CompactPCI J2 connector. Before installing a PXI device in a CompactPCI system that uses J2 connector lines for purposes other than PXI, see Appendix C, *Connecting Signals with Accessories*.

1. Turn off and unplug your PXI or CompactPCI chassis.
2. Choose an unused PXI or CompactPCI 5 V peripheral slot.



Tip For maximum performance of your CompactPCI, install the PXI-653X in a slot that supports bus arbitration or bus-master cards. The PXI-653X contains onboard bus-master DMA logic that can operate only in such a slot. If you install in a slot that does not support bus masters, you must disable the PXI-653X onboard DMA controller using your software. PXI-compliant chassis have bus arbitration for all slots.

3. Remove the filler panel for the peripheral slot you have chosen.
4. Touch a metal part on your chassis to discharge any static electricity that might be on your clothes or body.
5. Insert the PXI-653X in a 5 V slot. Use the injector/ejector handle to fully inject the device into place.
6. Screw the front panel of the PXI-653X to the front panel mounting rails of the PXI or CompactPCI chassis.
7. Visually verify the installation. Make sure the device is not touching other boards or components and is fully in the slot.
8. Plug in and turn on the PXI or CompactPCI chassis.

Now that your 653X device is installed, it is ready to be configured.

Installing the AT-DIO-32HS

You can install an AT-DIO-32HS in any available AT (16-bit ISA) or EISA expansion slot in your computer.

1. Turn off and unplug your computer.
2. Remove the cover.
3. Remove the expansion slot cover on the back panel of the computer.
4. Touch a metal part of your computer chassis to discharge any static electricity that might be on your clothes or body.

5. Insert the AT-DIO-32HS into an AT (16-bit ISA) or EISA slot. It can be a tight fit, but do *not* force the device into place.
6. Screw the mounting bracket of the AT-DIO-32HS to the back panel rail of the computer.
7. Visually verify the installation. Make sure the device is not touching other boards or components and is fully inserted in the slot.
8. Replace the cover of the computer.
9. Plug in and turn on your computer.

Now that your 653X device is installed, it is ready to be configured.

Installing the DAQCard-6533 for PCMCIA

You can install your DAQCard-6533 for PCMCIA in any available CardBus-compatible Type II PCMCIA slot. Consult the computer manufacturer for information about slot compatibility.

1. Turn off your computer. If your computer and operating system support hot insertion, you may insert or remove the DAQCard-6533 at any time, whether the computer is powered on or off.
2. Remove the PCMCIA slot cover on your computer, if any.

Now that your 653X device is installed, it is ready to be configured.

Configuring the 653X

Your 653X device is configured automatically in Measurement & Automation Explorer (MAX), which is installed with the NI-DAQ driver software in Windows, or in the NI-DAQ Configuration Utility, which is installed with NI-DAQ in the Mac OS. All settings are initially configured to default settings.

In Windows

If you would like to change or view default settings, follow these instructions, also available in your *DAQ Quick Start Guide*:

1. Launch MAX.
2. Open **Devices and Interfaces**.
3. Right-click the device you want to configure and choose **Properties**.
4. Press the **Test Resources** button to test hardware resources.

To create a virtual channel, or to learn about other capabilities of MAX, read the MAX online help by selecting **Help»Help Topics** and select **NI-DAQ** from the menu.

In Mac OS

To view and test current resource allocation:

1. Open the NI-DAQ Configuration Utility.
2. Select the device you want to configure.
3. Click the **Configure** button.
4. Press the **Test Resources** button to test hardware resources.



Warning Do *not* configure the 653X resources in conflict with non-National Instruments devices. For example, do *not* configure two devices to have the same base address.



Note The PCI/PXI-7030/6533 configuration is similar to PCI/PXI-653X configuration with a few exceptions. Refer to your *PCI/PXI-7030 and LabVIEW RT User Manual* for specific configuration details.



Note If you are using the AT-DIO-32HS device in a non-Plug and Play system, the device automatically configures to a switchless DAQ device so it can work in the system.

Now that you have completed configuring your device, you can begin setting up the device for use.

Using Your 653X

To begin using your 653X device, navigate this chapter in the following order:

1. Choose the correct mode of operation to perform using the table below.
2. Follow the instructions for the application you want to perform.
3. Refer to pinout diagrams in Appendix C, *Connecting Signals with Accessories*, when you are ready to connect your devices and/or accessories.



Tip See the glossary for definitions to digital I/O terms used throughout this chapter.

Choosing the Correct Mode for Your Application

Use the following table to find the correct mode for your application:

Application Requirements	Suggested Mode to Use
I need to perform basic digital I/O that does not need hardware timing or handshaking between the 653X and the peripheral device.	Unstrobed I/O
I want to configure the direction of each bit individually instead of groups of eight.	Unstrobed I/O
I want to connect two or more output drivers/pins to the same line.	Unstrobed output with wired-OR driver
I need to communicate with an external device using an exchange of signals to request and acknowledge each data transfer.	Handshaking I/O— Select appropriate protocol
I want to start and/or stop acquiring data upon a trigger and/or to transfer data at timed intervals.	Pattern I/O
I want the 653X to capture input data only when certain lines change states.	Change Detection
I want to monitor activity on input lines without continuously polling or transferring unnecessary data during periods of inactivity.	Change Detection

Controlling and Monitoring Static Digital Lines—Unstrobed I/O

This section explains how to control and monitor static digital lines through software-timed reads and writes to and from the digital lines of your 653X device.

Configuring Digital Lines

For unstrobed I/O, the direction of each of the 32 data lines is individually configurable. You can configure each data line to one of the following:

- Input
- Standard output
- Wired-OR output

Standard Output

A standard driver drives its output pin to approximately 0 V for logic low, or +5 V for logic high. Advantages include:

- It does not require pull-up resistors.
- It is independent of the state of the DPULL line.
- It has high current drive for both its logic high and logic low states.
- It can drive high-speed transitions in both the high-to-low and low-to-high directions.

Wired-OR Output

A wired-OR output driver drives its output pin to 0 V for logic low. For logic high, the output driver assumes a high-impedance state and does not drive a voltage. This is called tri-state. To pull the pin to +5 V for logic high, a pull-up resistor is required.

To provide a pull-up resistor, connect the DPULL pin on the I/O connector to the +5 V pin. This provides 100 k Ω pull-up resistors on all data lines. For more information about CPULL and DPULL, see the [Power-On State](#) section in Appendix D, [Hardware Considerations](#).

Advantages of using the wired-OR driver include:

- The ability to connect two or more wired-OR outputs together without damaging the drivers.
- The ability to connect wired-OR outputs to open-collector drivers, to GND signals, or to switches connecting to GND signals, without damaging the drivers.
- The ability to use wired-OR outputs bidirectionally. If you connect wired-OR outputs together, you can read back the value of a pin to determine if any connected outputs are logic low.

Using Control Lines as Extra Unstrobed Data Lines

The 653X device has two timing controllers for high-speed data transfer (Group 1 and Group 2). Each group contains four control lines which can be used to time the input/output of data with hardware precision. You can use Groups 1 and 2 to:

- Generate or receive digital patterns and waveforms at regular intervals or timed by an external TTL signal.
- Transfer data between two devices using one of six configurable handshaking protocols.
- Acquire digital data every time the state of a data line changes.



Note If you configure either group to perform handshaking I/O or pattern I/O, the associated timing control lines for that group will not be available for unstrobed I/O.

If you are not using Group 1 and/or Group 2 as timing controllers to perform pattern I/O or handshaking I/O, you can use their control lines as extra data lines. These lines constitute Port 4. The direction and output driver type of these lines are *not* configurable—four lines are used as input only and four are used as standard output only. Even though there are eight actual lines, the port width for Port 4 is 4 bits. In software, these lines are collectively referred to as Port 4; when writing to Port 4, the output lines are affected, and when reading from Port 4, the input lines are read. Table 2-1 displays how Port 4 lines are organized.

Table 2-1. Port 4 Lines

Direction	Line	I/O Pins
Input	0	STOPTRIG 1
	1	STOPTRIG 2
	2	REQ 1
	3	REQ 2
Output (standard)	0	PCLK 1
	1	PCLK 2
	2	ACK 1
	3	ACK 2

Connecting Signals

Connect digital input signals to the I/O connector using the pinout diagrams, Figures C-1, [653X I/O Connector 68-Pin Assignments](#), and C-2, [68-to-50-Pin Adapter Pin Assignments](#).

Creating a Program

Using the following flowcharts as a guide, create a program to perform unstrobed I/O. Figure 2-1 displays a flowchart for C programming using NI-DAQ, while Figure 2-2 shows a LabVIEW programming flowchart.

The boxes represent function names for the appropriate software, and the diamonds represent decision points.

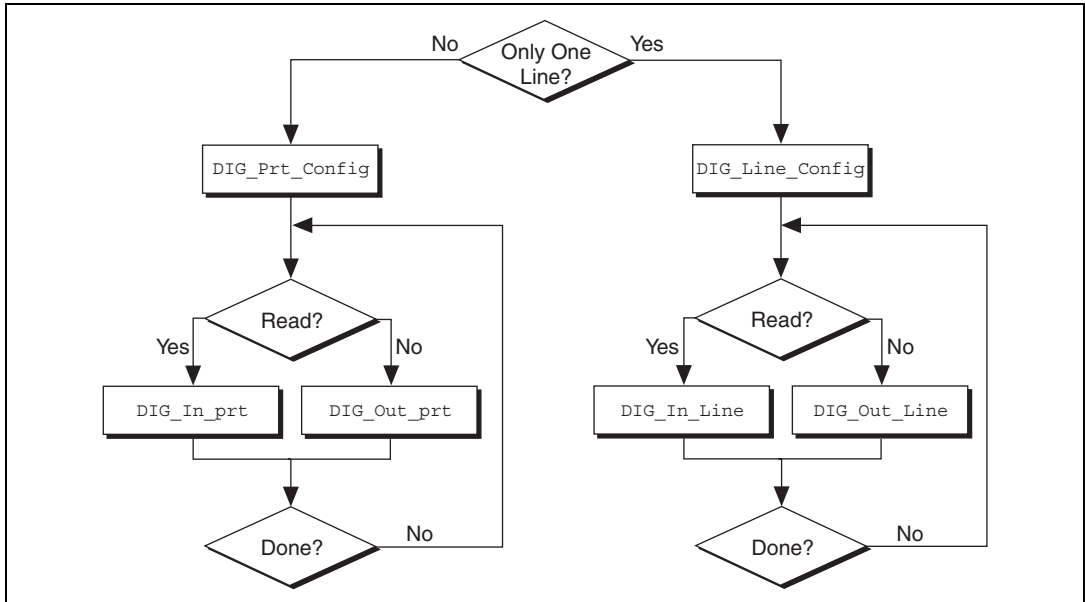


Figure 2-1. Programming Unstrobed I/O in NI-DAQ

s

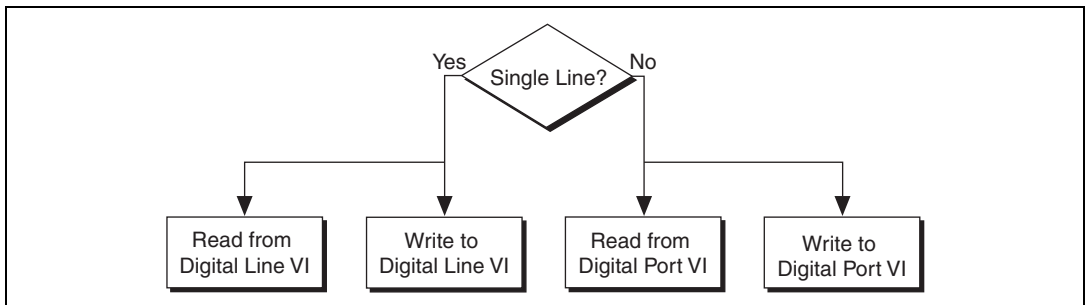


Figure 2-2. Programming Unstrobed I/O in LabVIEW/LabVIEW RT

Programming the Control/Timing Lines as Extra Unstrobed Data Lines

If you want to use the control/timing lines as extra unstrobed data lines:

- NI-DAQ C Interface—If both sets of control/timing lines are available, call the `DIG_In_Prt` or `DIG_Out_Prt` function and set Port Number to 4. If both sets of control/timing lines are not available, use the `DIG_In_Line` and `DIG_Out_Line` functions to individually read/write to the appropriate control/timing lines.

- LabVIEW—Use one of the top-level VIs: the Read From Digital Line VI to read from a digital port, and the Write to Digital Line VI to write to a digital port. The digital channel number is 4 and the port width is 4. If one of the control/timing lines is used or reserved and you are using the write or read port VIs, use the Line Mask parameter in the DIO Port Write VI to mask out the appropriate lines.

Transferring Data Between Two Devices—Handshaking I/O

If you want to communicate with an external device using an exchange of signals to request and acknowledge each data transfer, use the handshaking I/O mode.

Deciding the Width of Data to Transfer

You can choose between a width of eight, 16, or 32 bits. Use the following table to find the valid combinations of ports and timing controllers you can use based on the width of data you want to transfer.

Table 2-2. Port and Timing Controller Combinations

Transfer Width	Possible Port Combinations	Timing Controllers That Can Be Used
8 bits	Port 0 (DIOA<0..7>)	Group 1
	Port 2 (DIOC<0..7>)	Group 2
16 bits	Port 0, Port 1	Group 1
	Port 2, Port 3	Group 2
32 bits	Port 0, Port 1, Port 2, Port 3	Group 1

Deciding Data Transfer Direction

You can choose to send data from the 653X device to the peripheral device (output) or from the peripheral device to the 653X device (input).

Deciding Which Handshaking Protocol to Use

The 653X device supports several different handshaking protocols to communicate with your peripheral device. The protocol you select will determine the timing of the ACK and REQ signals.

From the perspective of the 653X device, the peripheral device requests the transfer of data by signaling on the REQ line. The 653X device acknowledges it is ready to transfer data by signaling on the ACK line.

Use Table 3-1, *Handshaking Protocol Characteristics*, to select a handshaking protocol for your application. To select a protocol compatible with your peripheral device, compare the handshaking sequence and state machine diagrams for each protocol in the later sections of Chapter 3, *Timing Diagrams*.

Using the Burst Protocol

The burst protocol differs from all the other handshaking protocols in that it is the only synchronous (clocked) protocol. In addition to ACK and REQ, the 653X and peripheral device share a clock signal over the PCLK line. See Chapter 3, *Timing Diagrams*, for more information about the burst protocol.

If you want to acquire or generate patterns of every edge of a clock signal, see the *Generating and Receiving Digital Patterns and Waveforms—Pattern I/O* section.



Note Feed external clocking signals into the PCLK pin for burst-mode handshaking and into the REQ pin when performing pattern I/O.

Deciding the PCLK Signal Direction

The 653X device can receive an external PCLK signal to control data transfers or generate a PCLK signal using an internal 32-bit counter to output to the peripheral device. By default, the 653X device generates the PCLK signal for input operations and receives an external PCLK signal for output operations.

To set the direction of the PCLK signal:

- NI-DAQ C interface—Set the `ND_CLOCK_REVERSE_MODE` to `ND_ON` in `Set_DAQ_Device_Info`.
- LabVIEW—Set the **Clock Reverse Mode** attribute to **ON** in the DIO Parameter VI.



Note For more information on LabVIEW VIs and NI-DAQ functions, consult the *LabVIEW Help* and the *NI-DAQ Function Reference Help*.

Selecting ACK/REQ Signal Polarity

For all handshaking protocols except 8255 emulation, you can set the polarity of the ACK and REQ signals to Active High or Active Low through software. By default, these signals are active high in NI-DAQ functions and active low in LabVIEW VIs. Refer to Table C-1, [653X I/O Connector 68-Pin Assignments](#), for an overview of all control/timing trigger lines.

Choosing Whether or Not to Use a Programmable Delay

For all the protocols, you have the option to set a programmable delay. This is useful when the handshaking signals of the 653X device occur faster than the peripheral device can handle.

For all protocols except burst, the delay increases the time the 653X device takes to respond to the REQ signal. For the burst protocol, the programmable delay selects the frequency of the clock signal when you are using an internally generated clock source. You can change the PCLK frequency by modifying the ACK Modify Amount parameter of the Digital Mode Config VI or the ACK Delay Time attribute of the `DIG_Grp_Mode` function in NI-DAQ C interface. Use the following table to find the resulting period in nanoseconds. The PCLK frequency is then selected by the driver based on this choice.

PCLK Period in ns	PCLK Frequency in MHz
50	20
100	10
200	5
300	3.33
400	2.5

PCLK Period in ns	PCLK Frequency in MHz
500	2
600	1.66
700	1.43

The state machine diagrams in Chapter 3, *Timing Diagrams*, show more precisely where this delay occurs in the handshaking sequence.

Choosing Continuous or Finite Data Transfer

You can transfer data indefinitely to/from computer memory or finitely by specifying the number of points you want to transfer.

Finite Transfers

For finite transfers, the 653X device transfers the specified amount of data to/from a computer memory buffer and stops the operation.

Continuous Input

For continuous input, the 653X device transfers input data to the computer memory buffer continuously. As the device is filling the buffer, call the `DIG_DB_Transfer` function or the DIO Read VI to retrieve the data. If at any time the device runs out of space in the buffer, it pauses the handshaking operation until your program clears up more buffer space.

You have the option to allow the device to continue acquiring data when it runs out of buffer space and overwrite data you have not yet read. You can specify this through the `oldDataStop` parameter in the `DIG_DB_Config` function and the `Data Overwrite/Regenerate` parameter in the Digital Buffer Control VI called by the DIO Start VI.

Continuous Output

Similarly, with continuous output, the 653X device continuously reads data from computer memory. As the device retrieves data from the buffer, call the `DIG_DB_Transfer` function or the DIO Write VI to write new data to the buffer. The device will pause the handshaking operation if it runs out of data to output. The data transfer will resume once more data is available.

You have the option to allow it to regenerate data that has already been outputted. As in continuous input, you specify the device to allow regeneration through the `oldDataStop` parameter in the `DIG_DB_Config` function and the `Data Overwrite/Regenerate` parameter in the `Digital Buffer Control VI`, called by the `DIO Start VI`.

With 6534 devices, if you want to output the same block of data repeatedly, you have the option of loading a buffer of data into on-board memory and looping through this data block continuously. With this option, data is only transferred from computer memory to the device on-board memory once, and the device outputs the same block of data continuously from its on-board memory. This allows the device to output data at higher rates because it is not limited by the PCI bus bandwidth. To enable onboard memory looping:

- **NI-DAQ C interface**—Set the `ND_PATTERN_GENERATION_LOOP_ENABLED` to `ND_ON` in the `Set_DAQ_Device_Info` function.
- **LabVIEW**—Set the `Pattern Generation Loop Enable` attribute to **ON** in the `DIO Parameter VI`.

Choosing DMA or Interrupt Transfers

When using DMA (by default), the 6534 device transfers data in 32-byte blocks and the 6533 device transfers data in 4-byte blocks. Therefore, at any time during a continuous operation, there may be up to 31 bytes (or 3 bytes for 6533 devices) of data in an internal device FIFO. You can use interrupt driven transfers if you need to retrieve data immediately as it is acquired. Interrupt driven transfers are slower and take more processing time from the computer than DMA driven transfers.

Connecting Signals

1. Connect the digital input signals to the I/O connector using the pinout diagrams, Figure C-1, [653X I/O Connector 68-Pin Assignments](#), and C-2, [68-to-50-Pin Adapter Pin Assignments](#).
2. Connect the `ACK` pin of the 653X device to the 653X-ready line of the peripheral device.
3. Connect the `REQ` pin of the 653X device to the peripheral-ready line of the peripheral device.

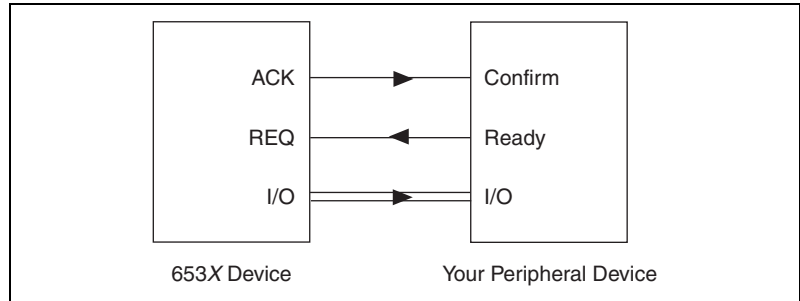


Figure 2-3. Connecting Signals

If you are using the burst protocol, make the connection to the appropriate PCLK pin on the 653X device.

Choosing the Startup Sequence

To avoid invalid or missing data when the ACK and REQ lines change polarity to either active-high or active-low, start a transfer using one of the following methods:

- Control the configuration and use an initialization order.
- Select compatible line polarities and default line levels.

Using an Initialization Order

This startup sequence ensures the 653X device is configured and is driving a valid ACK value before you enable the transfer on the peripheral device. Similarly, you can make sure the peripheral device is configured and is driving a valid REQ value before you enable the transfer on the 653X device:

1. Configure the 653X device for a mode compatible with your peripheral device.
2. Configure and reset the peripheral device, if appropriate.
3. Enable the input device (653X device or peripheral device) and begin a transfer.
4. Enable the output device (653X device or peripheral device) and begin a transfer.

To control this initialization order, you need to enable and disable the peripheral device and control the order in which the 653X device and the peripheral device are enabled. You can use the extra input and output lines for this purpose.

Controlling the startup sequence does not apply to buffered (block) operations. In a buffered operation, the NI-DAQ C interface configures and enables the 653X device at the same time, when you start the actual data transfer. For buffered operations, control the line polarities as a start-up method.

Controlling Line Polarities

If you cannot control the initialization order of the 653X device and peripheral device, you can ensure an optimum startup if you select the polarities of the ACK and REQ lines so that the power-up, undriven states of the control lines are the inactive states.

By default, the power-up, undriven control-line state of the REQ and ACK lines is low. If you want to change state to high, use one of the three following methods:

- Use the CPULL bias-selection line and connect the CPULL pin on the I/O connector to the +5 V pin. This provides 2.2 k Ω pull-up resistors on all control lines.
- Choose a mode with active-high REQ and ACK signals.
- Use your own pull-up resistors.

For information about using the CPULL line to control the pull-up and pull-down resistors, see the [Power-On State](#) section in Appendix D, [Hardware Considerations](#).

Creating a Program

Using the following flowcharts as a guide, create a program to perform handshaking I/O. Figures 2-4 and 2-5 display flowcharts for C programming using NI-DAQ, while Figures 2-6 and 2-7 show a LabVIEW programming flowcharts.

The boxes represent function names for the appropriate software, and the diamonds represent decision points.

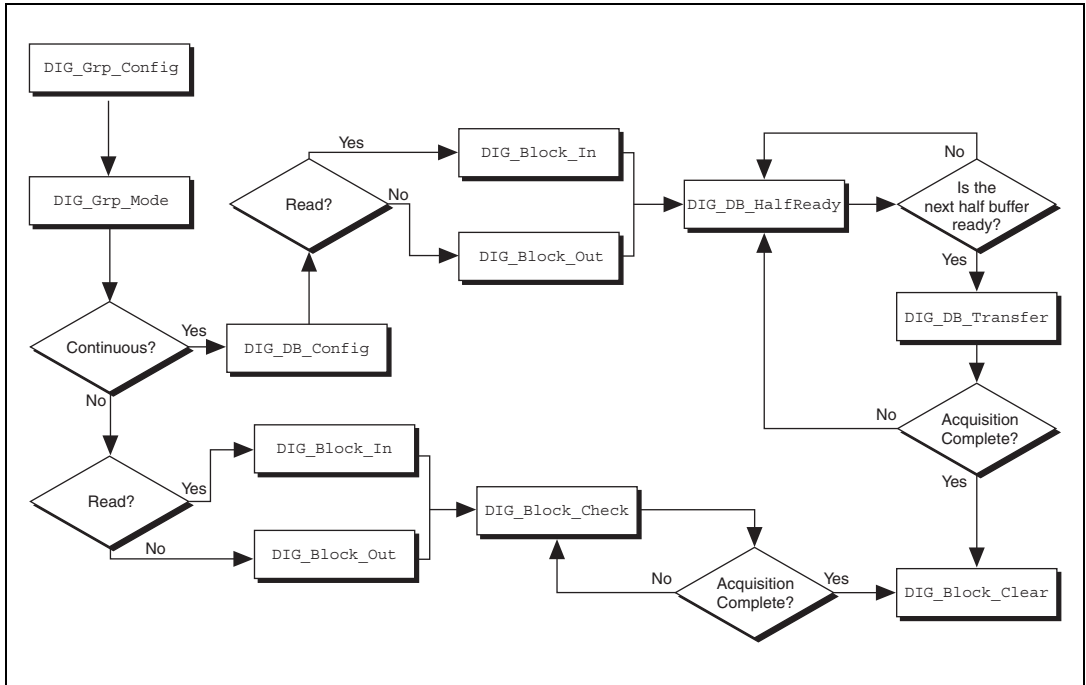


Figure 2-4. Programming Buffered Handshaking I/O in NI-DAQ

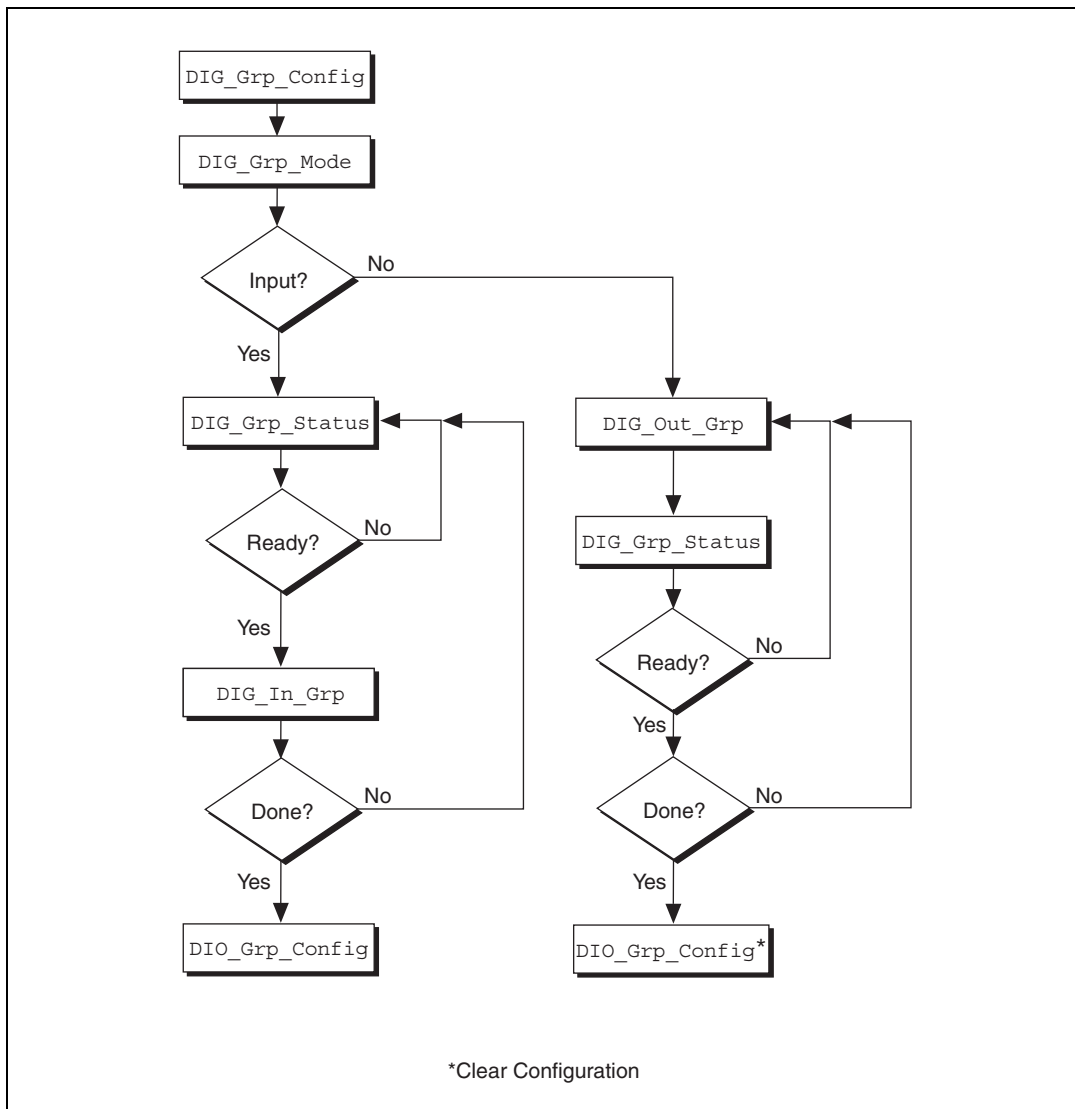


Figure 2-5. Programming Unbuffered Handshaking I/O in NI-DAQ

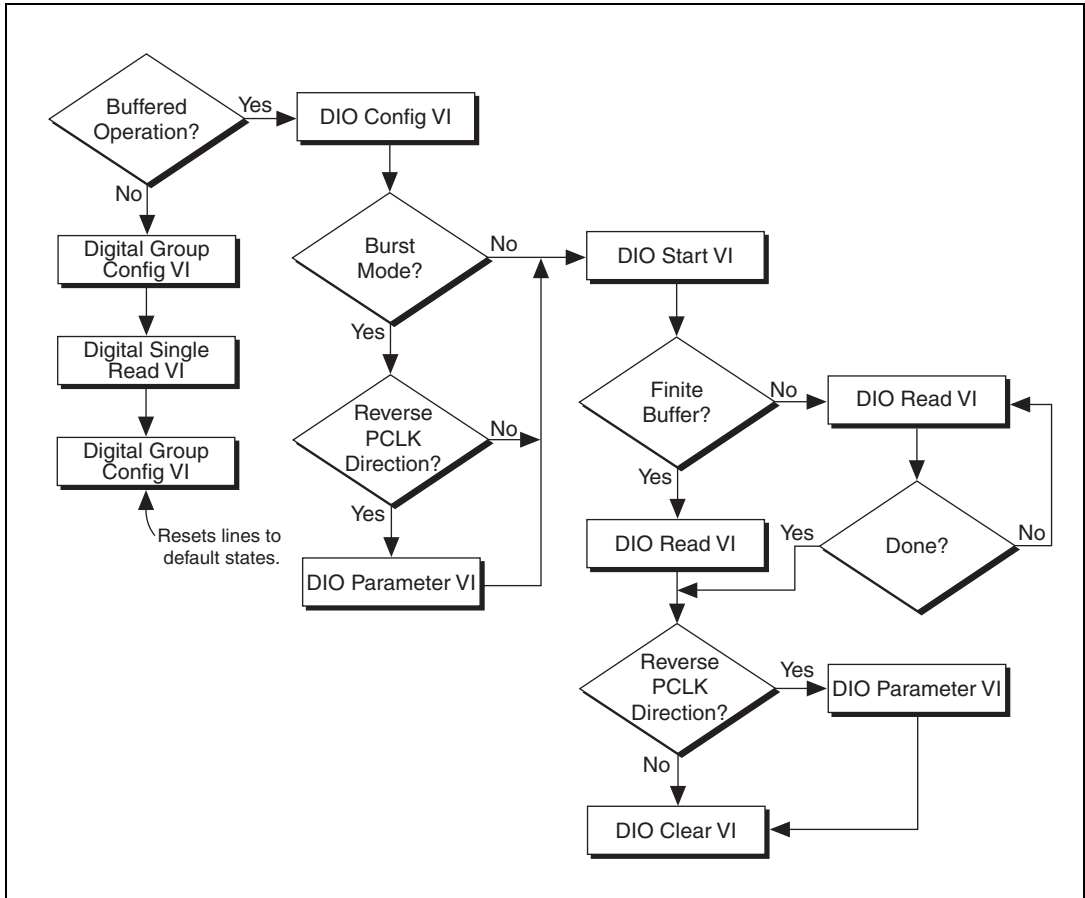


Figure 2-6. Programming Handshaking Input in LabVIEW/LabVIEW RT

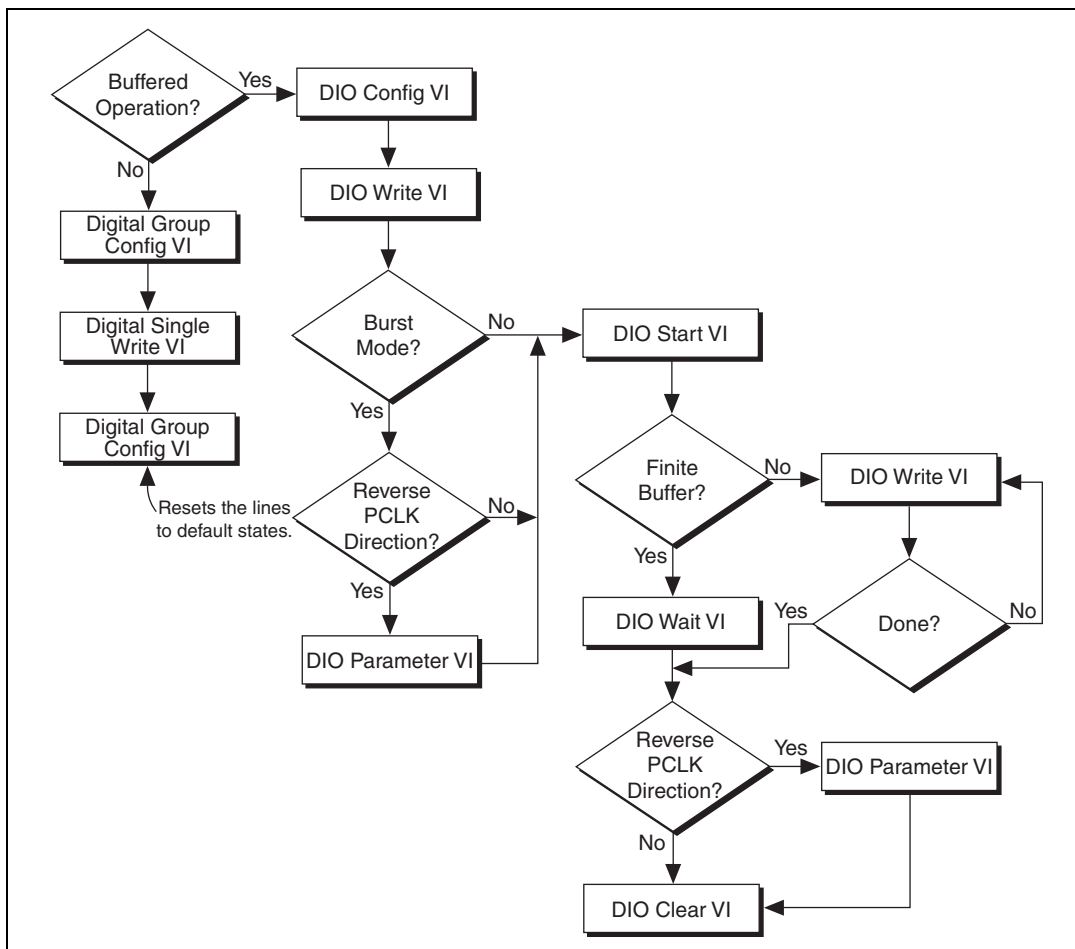


Figure 2-7. Programming Handshaking Output in LabVIEW/LabVIEW RT

By default, for output buffered transfers the 6534 device will preload the on board memory with data before starting the output operation. This is done to eliminate or reduce the impact of the PCI bus bandwidth limitations and increase the overall transfer rate.

The preloading process will cause a small delay between the start command in software and the actual start of data transfer. If this is a concern, you may disable the preloading by calling the following function/VI before the software start command:

- NI-DAQ C interface—In the `Set_DAQ_Device_Info` function, set the `ND_FIFO_Transfer_COUNT` to `ND_NONE`.
- LabVIEW—In the DIO Parameter VI, set the Scarabs Preload Enable attribute to **OFF**.

Generating and Receiving Digital Patterns and Waveforms—Pattern I/O

Using pattern I/O, you can acquire or generate patterns on every rising or falling edge of a clock signal. The clock signal can be generated internally by an onboard 32-bit counter set to a user-specified frequency or the clock signal can be received from the REQ pin in the I/O connector.



Note Feed external clocking signals into the PCLK pin for burst-mode handshaking and into the REQ pin when performing pattern I/O.

Deciding the Width of Data to Transfer

You can choose between a width of eight, 16, or 32 bits. Use the following table to find the valid combinations of ports and timing controllers you can use based on the width of data you want to transfer.

Table 2-3. Port and Timing Controller Combinations

Transfer Width	Possible Port Combinations	Timing Controllers That Can Be Used
8 bits	Port 0 (DIOA<0..7>)	Group 1
	Port 2 (DIOC<0..7>)	Group 2
16 bits	Port 0, Port 1	Group 1
	Port 2, Port 3	Group 2
32 bits	Port 0, Port 1, Port 2, Port 3	Group 1

Deciding Transfer Direction

You can choose to send data from your 653X device to the peripheral device (output), or from the peripheral device to your 653X device (input).

Choosing an Internal or External REQ Source

In pattern I/O, the 653X device acquires/generates data on every falling or rising edge (programmable) of the REQ signal. The REQ signal can be generated internally or based on the clock of a peripheral device. An example of using external REQ is sharing a sample clock of an analog input device so you can synchronize the analog and digital operations.

Deciding the REQ Polarity

By default, data from an external REQ source is transferred on the rising edge of the signal and on the falling edge of the internal REQ source. You can reverse the REQ polarity by using the following functions:

- NI-DAQ C interface—Specify the REQ polarity in the `DIG_Group_Mode` function before calling the `DIG_Block_PG_Config` function.
- LabVIEW—Specify the REQ polarity in the Digital Mode Config VI that is called by the DIO Config VI.



Note For more information on LabVIEW VIs and NI-DAQ functions, consult the *LabVIEW Help* and the *NI-DAQ Function Reference Help*.

Refer to Table C-1, [653X I/O Connector 68-Pin Assignments](#), for an overview of all control/timing trigger lines.

Deciding the Transfer Rate

If you are generating the REQ signal internally, you need to specify the rate of data transfer. The transfer rate is specified in software by using two parameters, the timebase frequency and timebase divisor:

$$\text{transfer rate (Hz)} = \frac{\text{timebase frequency}}{\text{timebase divisor}}$$

where

timebase frequency = 20 MHz, 10 MHz, 1 MHz, 100 kHz, 10 kHz, 1 kHz, or 100 Hz, and

timebase divisor = an integer between 1 and 65,355.

For example, if you specify a timebase of 100 kHz and a timebase divisor of 25, the resulting acquisition/generation rate would be 4 kHz.
 $100 \text{ kHz}/25 = 4 \text{ kHz}$.



Note If you are using a version of NI-DAQ prior to version 6.8, the minimum value for timebase divisor is 2.



Note In LabVIEW, you can specify the transfer rate directly using the Digital Clock Config VI (called by the DIO Start VI). The software will choose the closest transfer rate by selecting the frequency and divisor. To see the actual transfer rate, create an indicator at the *actual clock frequency* output of the Digital Clock Config VI.

Deciding How to Start and Stop Data Transfer—Triggering

By default, data transfer starts upon a software command (the Digital Buffer Control VI called by the DIO Start VI in LabVIEW and the DIG_Block_In and DIG_Block_Out functions in NI-DAQ C interface). However, you have the option of using a hardware trigger to start, stop, or start and stop data transfer.

The three types of trigger signals available are the start trigger, the stop trigger, or the start and stop trigger.

Start Trigger

A start trigger is a trigger that initiates a pattern I/O upon receipt of a hardware trigger on the ACK (STARTTRIG) pin.

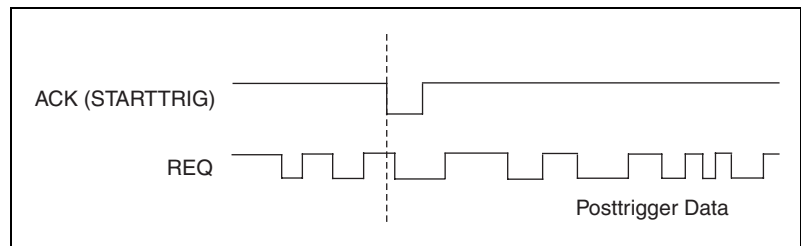


Figure 2-8. Starting Data Transfer Using a Trigger

Stop Trigger

When using a stop trigger, transfer starts upon a software command. Once a hardware trigger is received on the STOPTRIG pin, a predetermined amount of pretrigger and posttrigger data is saved in the buffer. Once this

data is in the buffer, transfer stops. If the stop trigger arrives before all the pretrigger data is acquired, NI-DAQ returns an error.

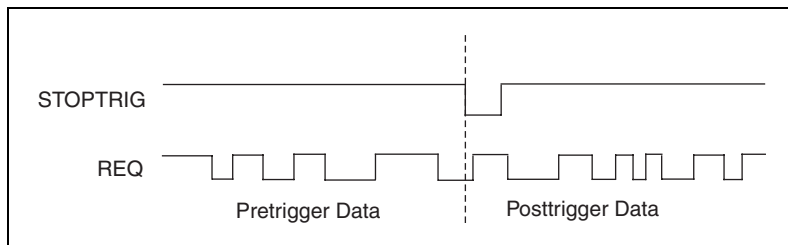


Figure 2-9. Stopping Data Transfer Using a Trigger

Start and Stop Trigger

When using a start and stop trigger, transfer starts upon receiving a trigger on the start trigger line (ACK/STARTTRIG pin) and ends upon receiving a trigger on the stop trigger line (STOPTRIG pin) and a predetermined amount of pretrigger and posttrigger data is saved in the buffer. If a stop trigger is received before a start trigger, it is ignored. If the stop trigger arrives before all the pretrigger data is acquired, NI-DAQ returns an error.

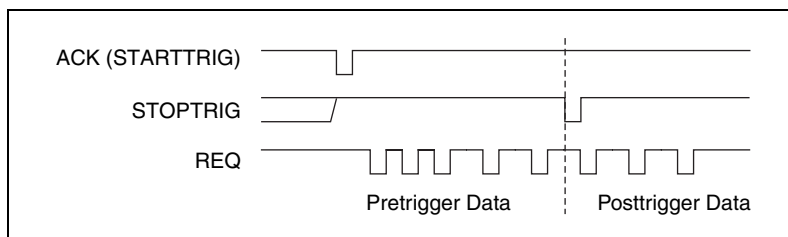


Figure 2-10. Using a Start and Stop Trigger

Pattern-Matching Trigger (Input Only)

Instead of using an external signal on the start/stop trigger pins on the I/O connector, you may start or stop (not both) an operation once a user-specified digital pattern is matched or not matched.

Specify four parameters to set up a pattern-matching trigger:

- Whether it is a start or stop trigger
- The data pattern to be detected/matched
- The mask, which selects the bits of interest for pattern comparison (0 for bits not of interest)

- The polarity (whether to trigger on data that matches or mismatches the specified pattern)

For example, if you want to start acquisition when the two least significant bits of your data are 1 and 0, you would specify your trigger parameters to match those in Figure 2-11.

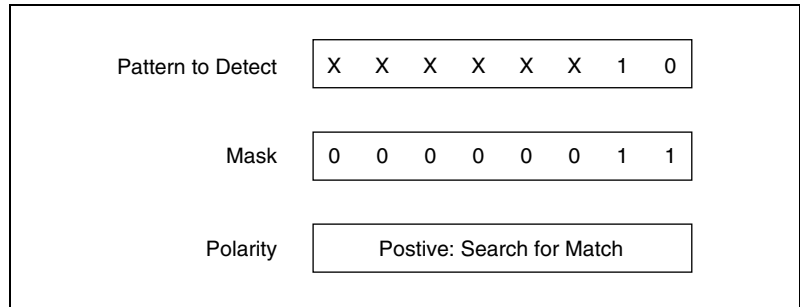


Figure 2-11. Pattern-Matching Trigger Example



Tip To prevent a transient data value during line switching from falsely causing a match, set a valid pattern for at least 60 ns to guarantee detection. In addition, keep glitches to less than 20 ns to guarantee rejection.

Choosing Continuous or Finite Data Transfer

You can transfer data continuously into or from computer memory or specify the number of points you want to transfer.

Finite Transfers

For finite transfers, the 653X device transfers the specified amount of data to/from computer memory and stops the operation.

Continuous Input

For continuous input, the 653X device transfers input data to the computer memory buffer continuously. As the device is filling the buffer, call the `DIG_DB_Transfer` function or the DIO Read VI to retrieve the data. If at any time the device runs out of space in the buffer, it stops the operation and NI-DAQ returns an error.

You have the option to allow the device to continue when it runs out of buffer space and overwrite data you have not yet read. You can specify this through the `oldDataStop` parameter in the `DIG_DB_Config` function and

the Data Overwrite/Regenerate parameter in the Digital Buffer Control VI, called by the DIO Start VI.

Continuous Output

Similarly, with continuous output, the 653X device continuously reads data from computer memory. As the device retrieves data from the buffer, call the `DIG_DB_Transfer` function or the DIO Write VI to write the data. The device will stop and return an error if it runs out of data to output, but you have the option to allow it to regenerate data that has already been outputted. As in continuous input, you specify the device to allow regeneration with the `OldDataStop` parameter in the `DIG_DB_Config` function and the data overwrite/regenerate parameter in the Digital Buffer Control VI, called by the DIO Start VI.

With 6534 devices, if you want to output the same block of data repeatedly, you have the option of loading a buffer of data into onboard memory and looping through this data block continuously. With this option, data is only transferred from computer memory to the device onboard memory once, and the device outputs the same block of data continuously from its onboard memory. This allows the device to output data at higher rates because it is not limited by the PCI bus bandwidth. To enable on-board memory looping:

- NI-DAQ C interface—Set the `ND_PATTERN_GENERATION_LOOP_ENABLED` to `ND_ON` in the `Set_DAQ_Device_Info` function.
- LabVIEW—Set the Pattern Generation Loop Enable attribute to **ON** in the DIO Parameter VI.

Choosing DMA or Interrupt Transfers

When using DMA (by default), the 6534 device transfers data in 32-byte blocks and the 6533 device transfers data in 4-byte blocks. Therefore, at any time during a continuous operation, there may be up to 31 bytes (or 3 bytes for 6533 devices) of data in an internal device FIFO. You can use interrupt driven transfers if you need to retrieve data immediately as it is acquired. Interrupt driven transfers are slower and take more processing time from the computer than DMA driven transfers.

Monitoring Data Transfer

To monitor your data transfer once data transfer starts:

- NI-DAQ C interface—Call `DIG_Block_Check` to monitor finite data transfer. For continuous transfers, use `Get_DAQ_Device_Info` to obtain the cumulative transfer count (`DIG_Block_Check` does not return the number of buffer iterations completed). The following table lists the attribute types and values returned for `Get_DAQ_Device_Info`:

Transfer Direction	Attribute	Value Returned
Input	ND_READ_MARK_H_SNAPSHOT_GR1	Most significant 32-bit of transfer count
	ND_READ_MARK_H_SNAPSHOT_GR1	
	ND_READ_MARK_L_SNAPSHOT_GR1	Least significant 32-bit of transfer count
	ND_READ_MARK_L_SNAPSHOT_GR2	
Output	ND_WRITE_MARK_H_SNAPSHOT_GR1	Most significant 32-bit of transfer count
	ND_WRITE_MARK_H_SNAPSHOT_GR2	
	ND_WRITE_MARK_L_SNAPSHOT_GR1	Least significant 32-bit of transfer count
	ND_WRITE_MARK_L_SNAPSHOT_GR2	



Note You should always read the least significant bits of the transfer count before reading the most significant bits. The 32 most significant bits of the transfer count is cached in software when you read the least significant bits.

- LabVIEW—Use the Digital Buffer Write VI or the Digital Buffer Read VI, which are called by the DIO Read VI, the DIO Write VI, and the DIO Wait VI.

Connecting Signals

Connect digital input signals to the I/O connector using the pinout diagrams, Figures C-1, [653X I/O Connector 68-Pin Assignments](#), or C-2, [68-to-50-Pin Adapter Pin Assignments](#).

If you are using an external source for your REQ signal, connect it to the appropriate REQ pin of the I/O connector.

If you are using external start and/or stop triggers, connect to the appropriate pins—start trigger (ACK/STARTTRIG) and/or stop trigger (STOPTRIG).

Creating a Program

Using the following flowcharts as a guide, create a program to perform pattern I/O. Figures 2-13 and 2-14 display flowcharts for C programming using NI-DAQ, while Figure 2-14 shows a LabVIEW programming flowchart.

The boxes represent function names for the appropriate software, and the diamonds represent decision points.

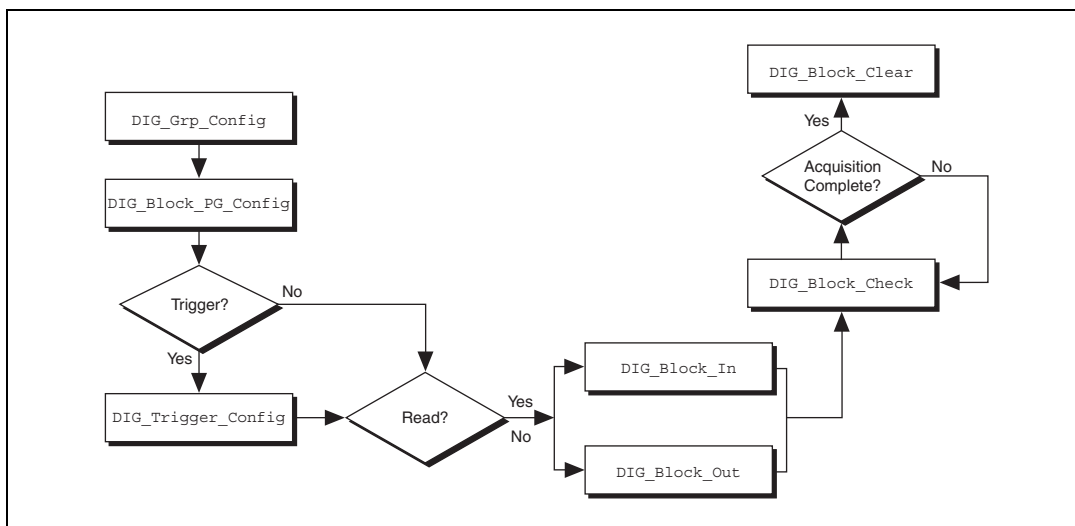


Figure 2-12. Programming Pattern I/O (Single Buffer) in NI-DAQ

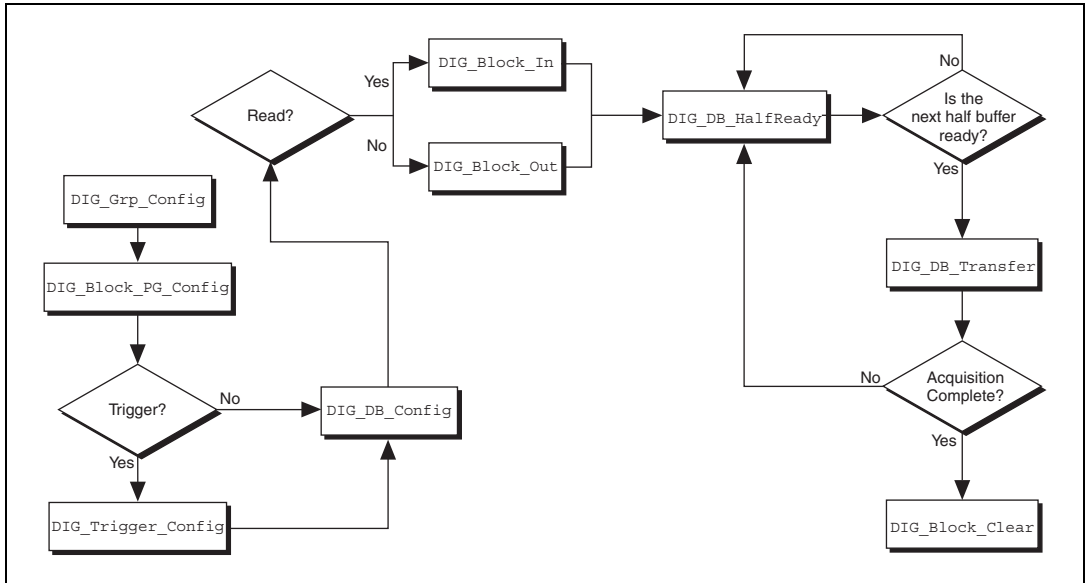


Figure 2-13. Programming Pattern I/O (Continuous) in NI-DAQ

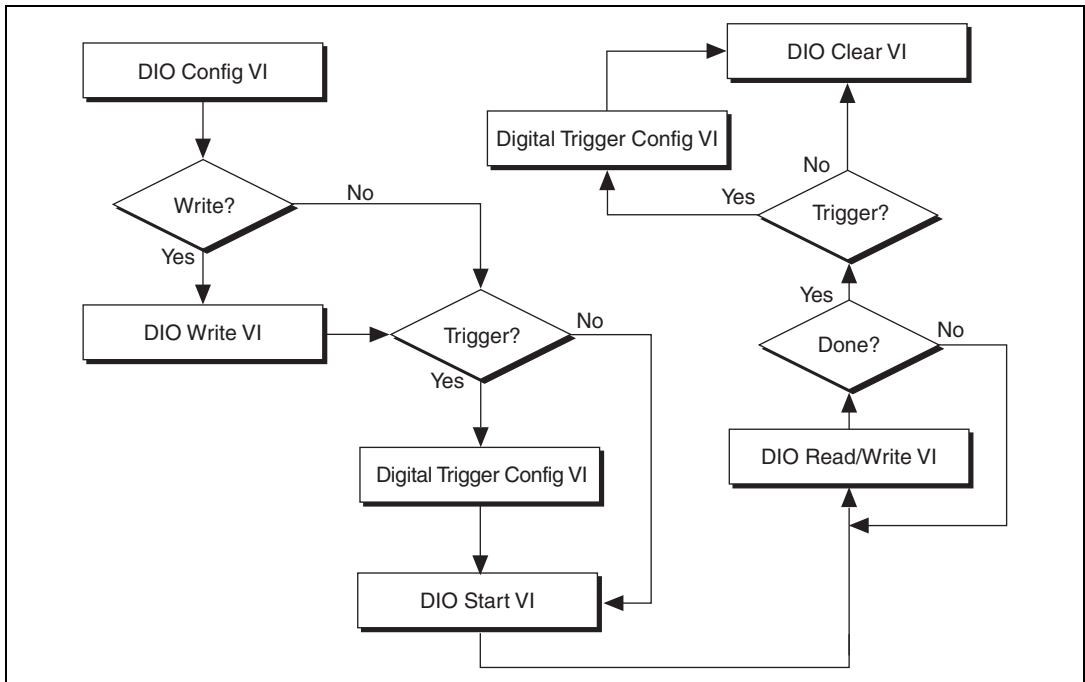


Figure 2-14. Programming Pattern I/O in LabVIEW/LabVIEW RT



Note If you are performing a finite pattern output operation, you can call the DIO Wait VI instead of the DIO Write VI after the DIO Start VI. For more information about these VIs, see the *LabVIEW Help*.

By default, for output buffered transfers the 6534 device will preload the on board memory with data before starting the output operation. This is done to eliminate or reduce the impact of the PCI bus bandwidth limitations and increase the overall transfer rate. The preloading process will cause a small delay between the start command in software and the actual start of data transfer. If this is a concern, you may disable the preloading by calling the following function/VI before the software start command:

- NI-DAQ C interface—In the `Set_DAQ_Device_Info` function, set the `ND_FIFO_TRANSFER_COUNT` to `ND_NONE`.
- LabVIEW—In the DIO Parameter VI, set the Scarabs Preload Enable attribute to **OFF**.

Monitoring Line State—Change Detection

You can configure your 653X device to acquire data whenever the state of one or more data lines change. Once the 653X device detects a change in one of the selected lines, it will capture data within 50–150 ns and outputs a pulse on the REQ pin. This mode increases CPU and bus efficiency because you can monitor activity on input lines without continuously polling or transferring unnecessary data during periods of inactivity.



Tip The 653X device used alone will detect if a change occurred, but if used in conjunction with a 660X device (via a RTSI line), the relative time between changes can be acquired by the 660X device.

Deciding the Width of Data to Acquire

You can choose between a width of eight, 16, or 32 bits. Use the following table to find the valid combinations of ports and timing controllers you can use based on the width of data you want to acquire.

Table 2-4. Port and Timing Controller Combinations

Transfer Width	Possible Port Combinations	Timing Controllers That Can Be Used
8 bits	Port 0 (DIOA<0..7>)	Group 1
	Port 2 (DIOC<0..7>)	Group 2

Table 2-4. Port and Timing Controller Combinations (Continued)

Transfer Width	Possible Port Combinations	Timing Controllers That Can Be Used
16 bits	Port 0, Port 1	Group 1
	Port 2, Port 3	Group 2
32 bits	Port 0, Port 1, Port 2, Port 3	Group 1

Deciding Which Lines You Want to Monitor

You need to specify which of the lines in your acquisition you want to monitor for changes.

Specify which bits are significant to you by using a software line mask in the `DIG_Trigger_Config` function in NI-DAQ C interface, and the Digital Trigger Config VI for LabVIEW. In the following example, the user specifies the mask to detect changes on the two least-significant bits of a port. Pattern 1 does not have changes in the two bits of interest and data is not latched, but for pattern 2, a change is detected on one of the two bits of interest, and the value of the entire port is acquired.

Mask	0 0 0 0 0 0	1 1	
Initial Input Pattern	0 0 0 0 0 0	1 0	
Input Pattern 1	0 1 0 0 0 0	1 0	No change on specified bits. Data is not latched.
Input Pattern 2	0 0 0 0 0 0	1 1	Change detected, latch entire port.

Figure 2-15. Change Detection Example Settings

Deciding How to Start and Stop Data Transfer—Triggering

By default, data transfer starts upon a software command (the Digital Buffer Control VI called by the DIO Start VI in LabVIEW and the `DIG_Block_In` and `DIG_Block_Out` functions in NI-DAQ C interface). However, you have the option of using a hardware trigger to start, stop, or start and stop data transfer.

The three types of trigger signals available are the start trigger, the stop trigger, or the start and stop trigger.

Start Trigger

A start trigger is a trigger that initiates a pattern I/O upon receipt of a hardware trigger on the ACK (STARTTRIG) pin.

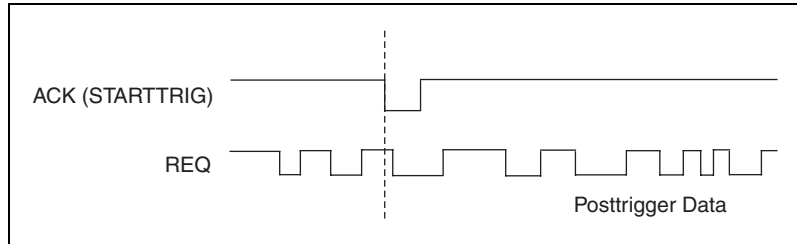


Figure 2-16. Starting Data Transfer Using a Trigger

Stop Trigger

When using a stop trigger, transfer starts upon a software command. Once a hardware trigger is received on the STOPTRIG pin, a predetermined amount of pretrigger and posttrigger data is saved in the buffer. Once this data is in the buffer, transfer stops. If the stop trigger arrives before all the pretrigger data is acquired an error will return in software.

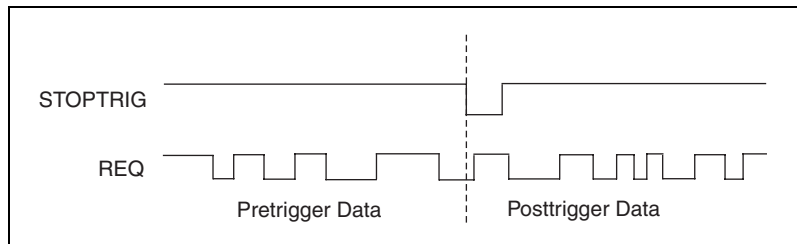


Figure 2-17. Stopping Data Transfer Using a Trigger

Start and Stop Trigger

When using a start and stop trigger, transfer starts upon receiving a trigger on the start trigger line (ACK/STARTTRIG pin) and ends upon receiving a trigger on the stop trigger line (STOPTRIG pin) and a predetermined amount of pretrigger and posttrigger data is saved in the buffer. If a stop trigger is received before a start trigger, it is ignored. If the stop trigger arrives before all the pretrigger data is acquired an error will return in software.

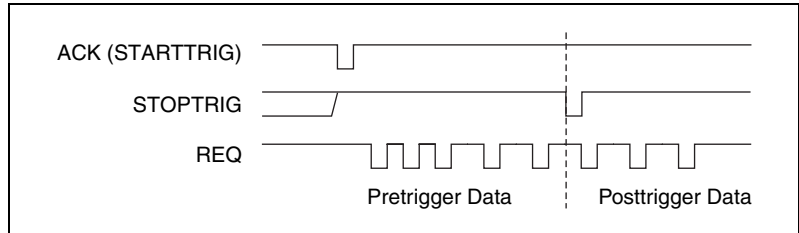


Figure 2-18. Using a Start and Stop Trigger

Pattern-Matching Trigger

Instead of using an external signal on the start/stop trigger pins on the I/O connector, you may start or stop (not both) an operation once a user-specified digital pattern is matched.

Specify four parameters to set a pattern-matching trigger:

- Whether it is a start or stop trigger
- The data pattern to be detected/matched
- The mask, which selects the bits of interest for pattern detection



Note The mask for the pattern-matching trigger is the same as the one used for change detection. In other words, input lines significant for the pattern-matching trigger are also significant for change detection.

- Polarity (whether to detect data that matches or mismatches the specified pattern)

The 653X device detects any occurrence of a specific pattern immediately as the data comes in. When a match occurs, the 653X device starts acquiring data. For example, if you want to start an acquisition when the two least significant bits of your data are 1 and 0, you would specify your trigger parameters to match those in Figure 2-19.

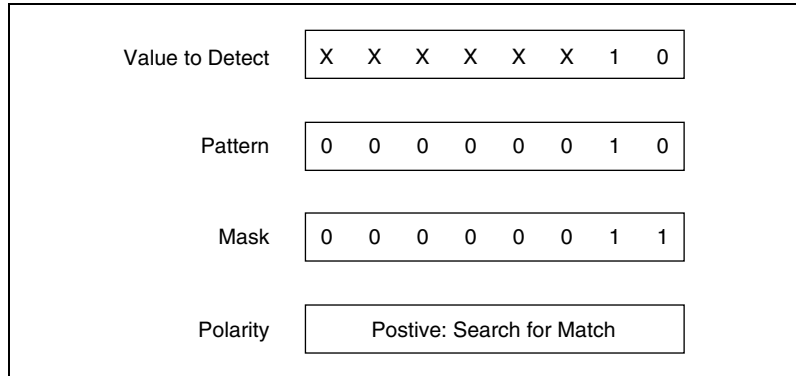


Figure 2-19. Pattern-Detection Trigger Example



Tip To prevent a transient data value during line switching from falsely causing a match, set a valid pattern for at least 60 ns to guarantee detection. In addition, keep glitches to less than 20 ns to guarantee rejection.

Choosing Continuous or Finite Data Transfer

You can acquire data continuously into or from computer memory or specify the number of points you want to transfer.

Finite Transfers

For finite transfers, the 653X device inputs the specified amount of data to a computer memory buffer and stops the operation.

Continuous Input

For continuous input, the 653X device transfers input data to the computer memory buffer continuously. As the device is filling the buffer, call the `DIG_DB_Transfer` function or the DIO Read VI to retrieve the data. If at any time the device runs out of space in the buffer, it stops the operation and NI-DAQ returns an error.

You have the option to allow the device to continue when it runs out of buffer space and overwrite data you have not yet read. You can specify this through the `oldDataStop` parameter in the `DIG_DB_Config` function and the `Data Overwrite/Regenerate` parameter in the Digital Buffer Control VI, called by the DIO Start VI.

Choosing DMA or Interrupt Transfers

When using DMA (by default), the 6534 device transfers data in 32-byte blocks and the 6533 device transfers data in 4 byte blocks. Therefore, at any time during a continuous operation, there may be up to 31 bytes (or 3 bytes for 6533 devices) of data in an internal device FIFO. You can use interrupt driven transfers if you need to retrieve data immediately as it is acquired. Interrupt driven transfers are slower and take more processing time from the computer than DMA driven transfers.

Connecting Signals

Connect digital input signals to the I/O connector using the pinout diagrams, Figures C-1, [653X I/O Connector 68-Pin Assignments](#), or C-2, [68-to-50-Pin Adapter Pin Assignments](#).

If you are using external start and/or stop triggers, connect to the appropriate pins—start trigger (ACK or STARTTRIG) and/or stop trigger (STOPTRIG).

Creating a Program

Using the following flowcharts as a guide, create a program to perform change detection. Figure 2-21 and 2-22 display flowcharts for C programming using NI-DAQ, while Figure 2-22 shows a LabVIEW programming flowchart.

The boxes represent function names for the appropriate software, and the diamonds represent decision points.

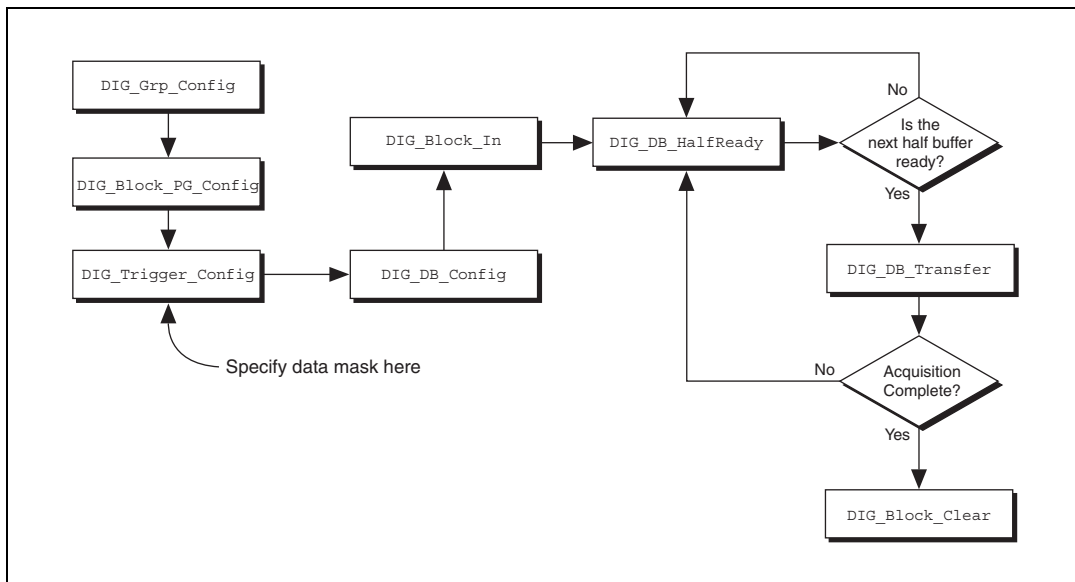


Figure 2-20. Programming Change Detection (Continuous) in NI-DAQ

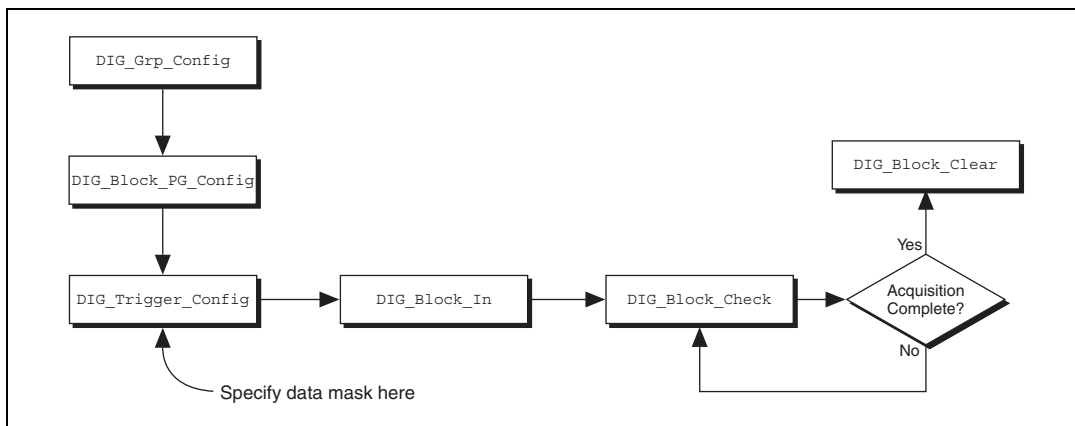


Figure 2-21. Programming Change Detection (Single Buffer) in NI-DAQ

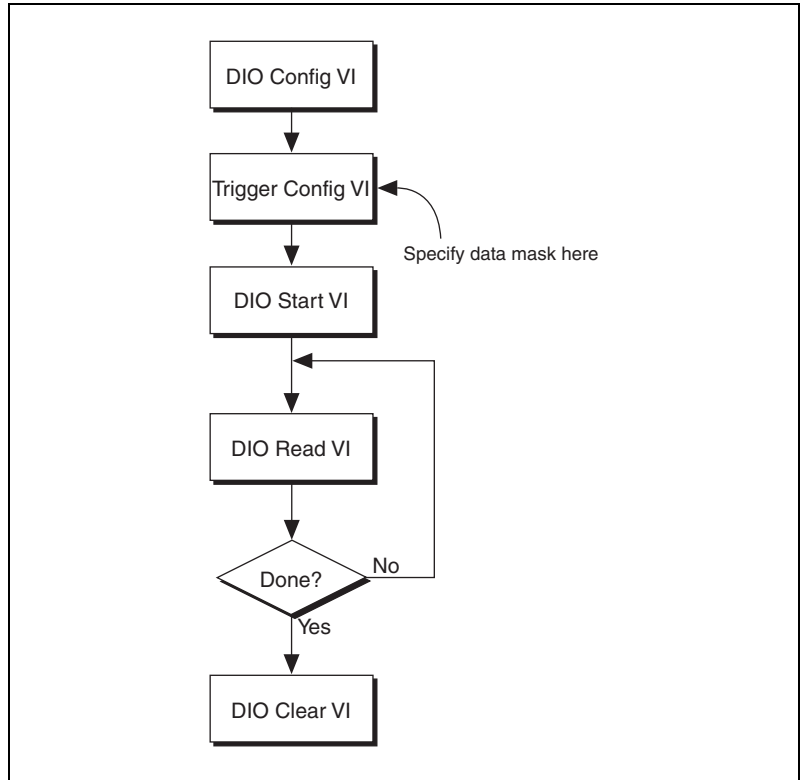


Figure 2-22. Programming Change Detection for LabVIEW/LabVIEW RT

Timing Diagrams

This chapter contains timing diagrams for the handshaking and pattern I/O modes. You can use these diagrams to get a detailed understanding about what happens in hardware when using these modes.



Note All timing diagrams are in nanoseconds.

Pattern I/O Timing Diagrams

Use pattern I/O to transfer data at a timed interval upon the rising or falling edge of the REQ signal. The REQ signal can be generated internally by the 653X device or supplied externally via the I/O connector.



Note Your transfer rate is limited by the *minimum* available bus bandwidth in your computer system, unless you are using the PCI/PXI-6534 device, which has onboard memory. Otherwise, you are limited by the number of other devices utilizing the bus and your application software, both of which can lower your transfer rate. For more information about transfer rates, see Appendix E, [Optimizing Your Transfer Rates](#).

Internal REQ Signal Source

The 653X can internally generate a signal (REQ) with which to strobe data. To program the frequency of this signal, specify the timebase and interval as shown in the [Deciding the Transfer Rate](#) section of Chapter 2, [Using Your 653X](#). The device captures data on the rising (active low) or falling edge (active high) of this signal. You can select the polarity of the REQ signal through software, as described in the [Deciding the REQ Polarity](#) section in Chapter 2, [Using Your 653X](#).

When generating an internal REQ signal, the asserted time of the resulting clock will be one period of the timebase used to generate the REQ. The exception is if you use a 20 MHz timebase (50 ns) and select an interval of 1. The REQ pulse is then asserted for 20–30 ns.



Note If you are using a version of NI-DAQ prior to version 6.8, the minimum value for the interval parameter is 2.

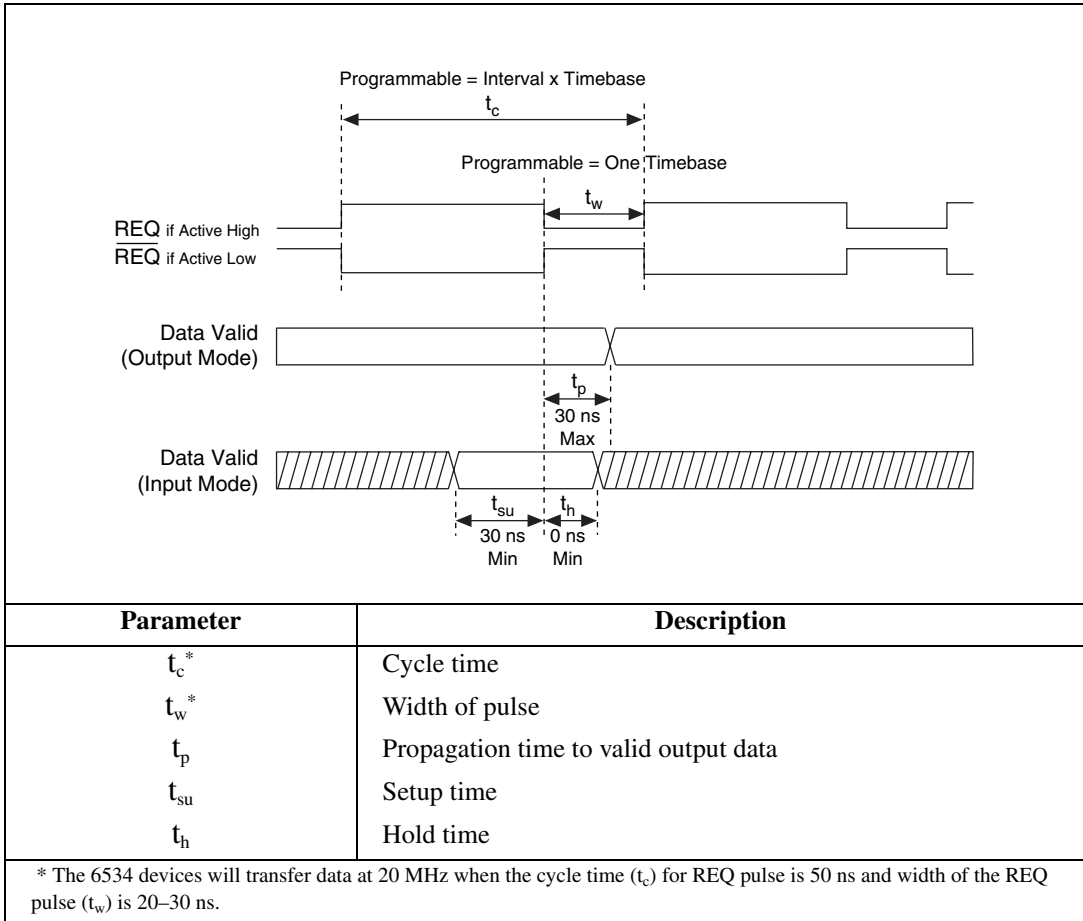


Figure 3-1. Internal Request Timing Diagram

External REQ Signal Source

Use an external request when you want to time data transfers using an external signal on the REQ pin of the I/O connector. You can select the polarity of the REQ signal. If active high (default), the 653X device will latch the data on the I/O pins on the *rising* edge of the REQ signal. If active low, the 653X device will latch the data on the I/O pins on the *falling* edge of the REQ signal. The low time and high time of the REQ signal must each be >20 ns. The minimum duration for a period of the REQ signal is 50 ns.



Note For data transfers that use a hardware start trigger, there is no mandatory setup (t_{su}) or hold time (t_h) for the STARTRIG (ACK) signal. It can be asserted at any point before,

during, or after the REQ edge. If STARTRIG is asserted too close to the REQ edge, it may not be recognized until the next REQ edge. To avoid this uncertainty, you can observe an optional setup time of 15 ns, in other words, assert STARTRIG at least 15 ns before the start of the REQ pulse.

The STARTRIG signal is synchronized to the REQ edge using a flip-flop. Because of this synchronization flip-flop, there is a one REQ-pulse delay after STARTRIG before the data capture begins. There is a possibility of a two-cycle delay if you do not observe the optional setup time mentioned in the previous note.

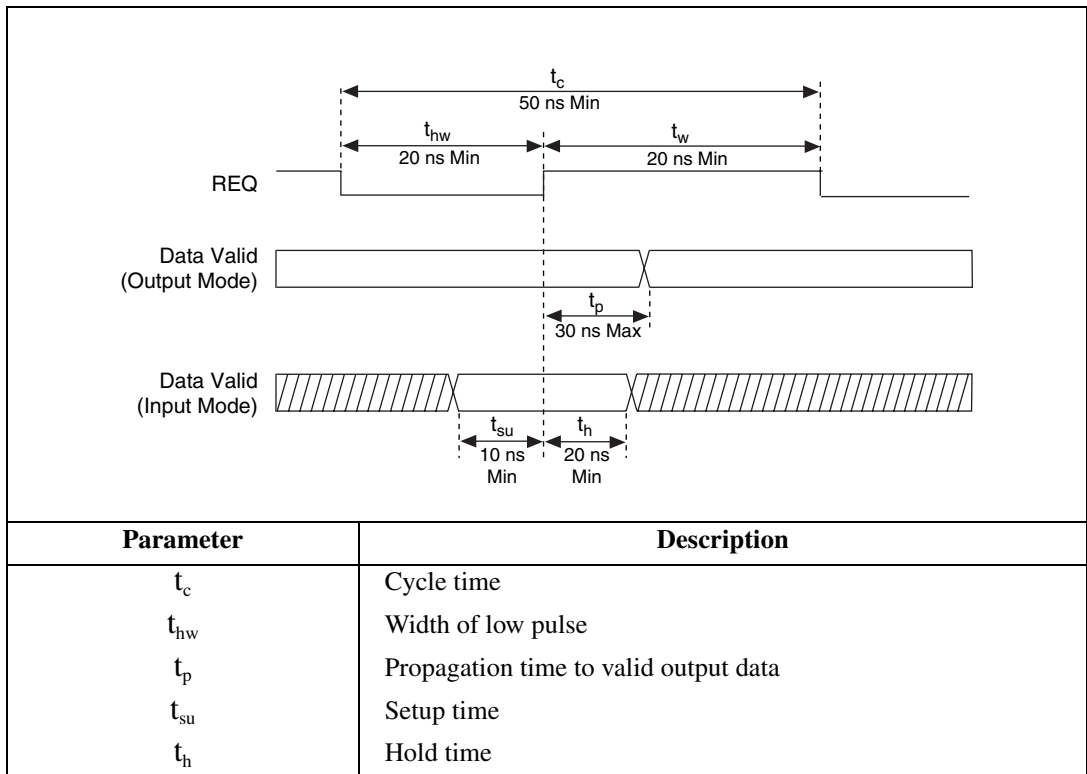


Figure 3-2. External Request Timing Diagram

Handshaking I/O Timing Diagrams

This section compares of the handshaking I/O protocols and includes timing diagrams for each:

- Handshaking sequence for input operation
- State machine for input operation
- Timing specification for input operation
- Handshaking sequence for output operation
- State machine for output operation
- Timing specification for output operation

Comparing the Different Handshaking Protocols

For an overview of all handshaking protocols supported by your 653X device, see Table 3-1.



Note Whether an ACK or a REQ signal occurs first in the handshaking sequence depends on the protocol and the direction of the transfer.

Table 3-1. Handshaking Protocol Characteristics

Protocol	REQ/ACK Polarity	Which REQ Edge Requests Transfer	Where the Programmable Delay Is Located	Complementary Protocol(s)
Asynchronous Protocols				
8255 Emulation	Active-low	Trailing	Between transfers	Long Pulse
Level ACK	Programmable	Leading	Before ACK and between transfers	Level ACK
Leading-Edge	Programmable	Leading	Before ACK and between transfers	Leading Edge
Long Pulse	Programmable	Leading	Pulse width and between transfers	Long Pulse, 8255 Emulation, and 8255
Trailing-Edge	Programmable	Trailing	Pulse width and between transfers	Trailing-Edge

Table 3-1. Handshaking Protocol Characteristics (Continued)

Protocol	REQ/ACK Polarity	Which REQ Edge Requests Transfer	Where the Programmable Delay Is Located	Complementary Protocol(s)
Synchronous Protocol				
Burst	Programmable	Neither (level REQ)	Clock speed	Burst
<p>* Asynchronous protocols can compensate automatically to cable length, yet for synchronous protocols, you need to select an appropriate speed for your cable when configuring your device.</p> <p>Select a delay of at least the following:</p> <ul style="list-style-type: none"> • 0 for a typical cable up to 1 m • 1 (70 ns) for a typical cable up to 5 m • 2 (140 ns) for a typical cable up to 15 m long 				

In order for the 653X device to communicate with peripheral devices in handshaking mode, it is important to verify that:

- You are using complementary protocols. For example, use 8255-emulation protocol with long-pulse protocol.
- The ACK/REQ polarity are the same. For example, 8255 emulation is active low only, so the other device must use the long-pulse protocol and have active low ACK/REQ polarity.

Using the Burst Protocol

Burst protocol is a synchronous, or clocked, protocol. In addition to using the ACK and REQ signals like the other handshaking protocols, in burst protocol, the 653X device and the peripheral device share a clock signal over the PCLK line.

The 653X device asserts the ACK signal if it is ready to perform a transfer. If the peripheral device also asserts the REQ signal indicating it is ready, a transfer occurs on the rising edge of the PCLK signal. See Figures 3-3 and 3-4 for examples of burst protocol transfers. Dashed lines indicate when data is transferred.

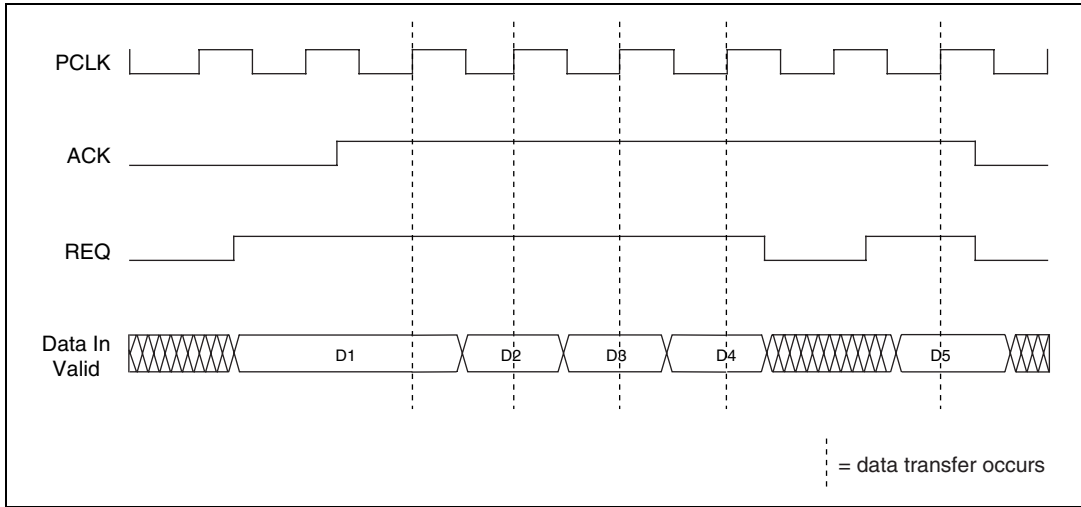


Figure 3-3. Burst Transfer Example (Input)

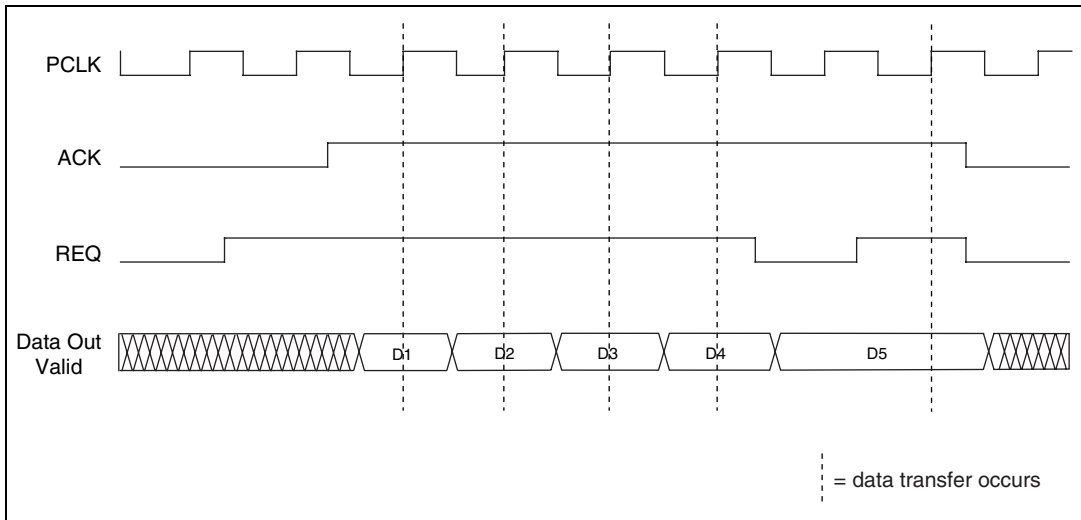


Figure 3-4. Burst Transfer Example (Output)



Note Since data is transferred only when both the 653X device and the peripheral device are ready (and thus ACK and REQ are asserted), it is not reasonable to expect data to arrive at consistent intervals. If consistent intervals are an important criteria for your application, use pattern I/O.

The 653X device can either drive an output clock signal onto the PCLK line or receive an input clock signal from the PCLK line. By default, the PCLK line is set for input during output transfers, and set for output during input transfers.



Tip If you are using long cables, slow down the PCLK clock signal to compensate for the decrease in data setup time.

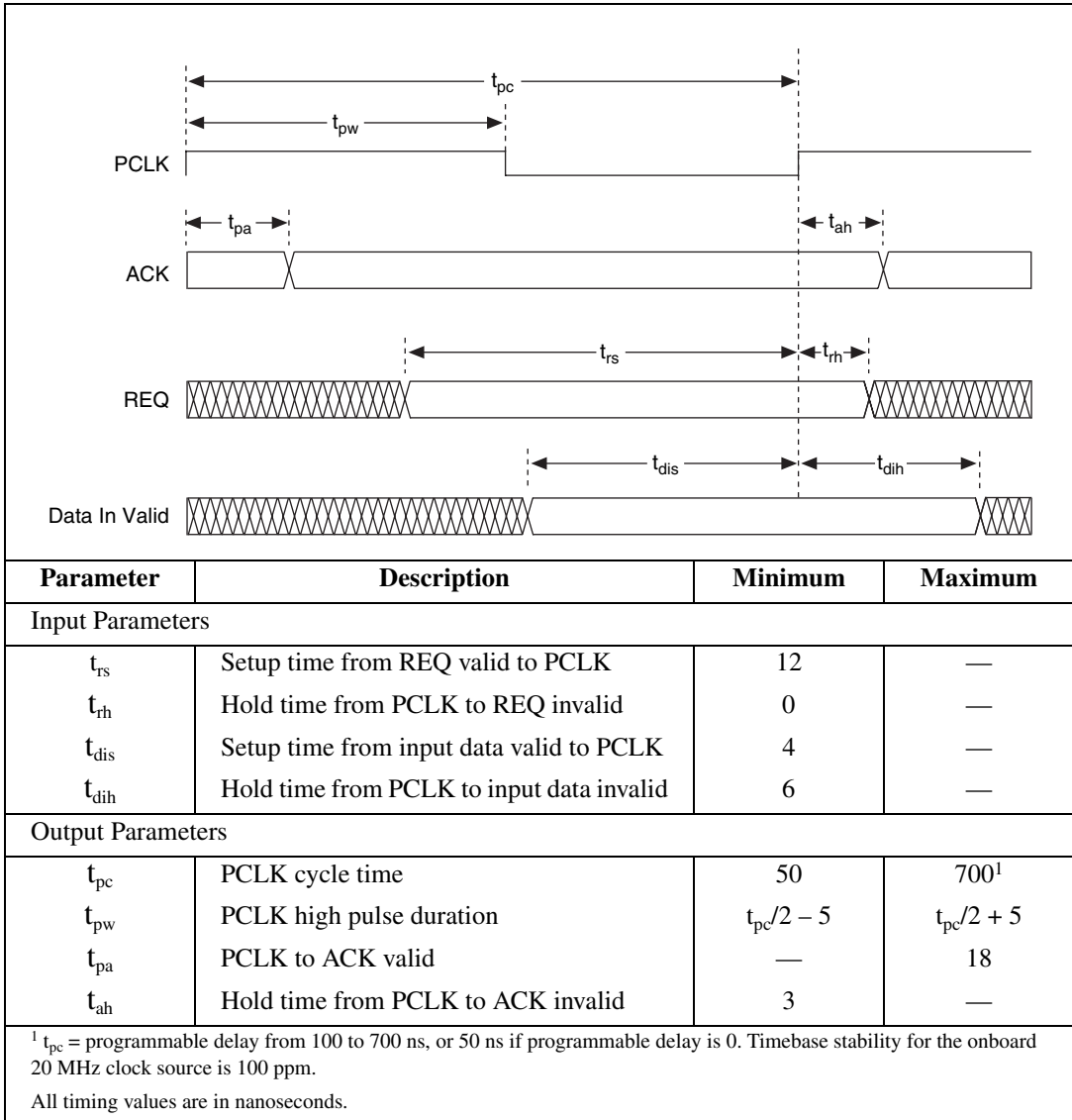


Figure 3-5. Burst Input Timing Diagram (Default)

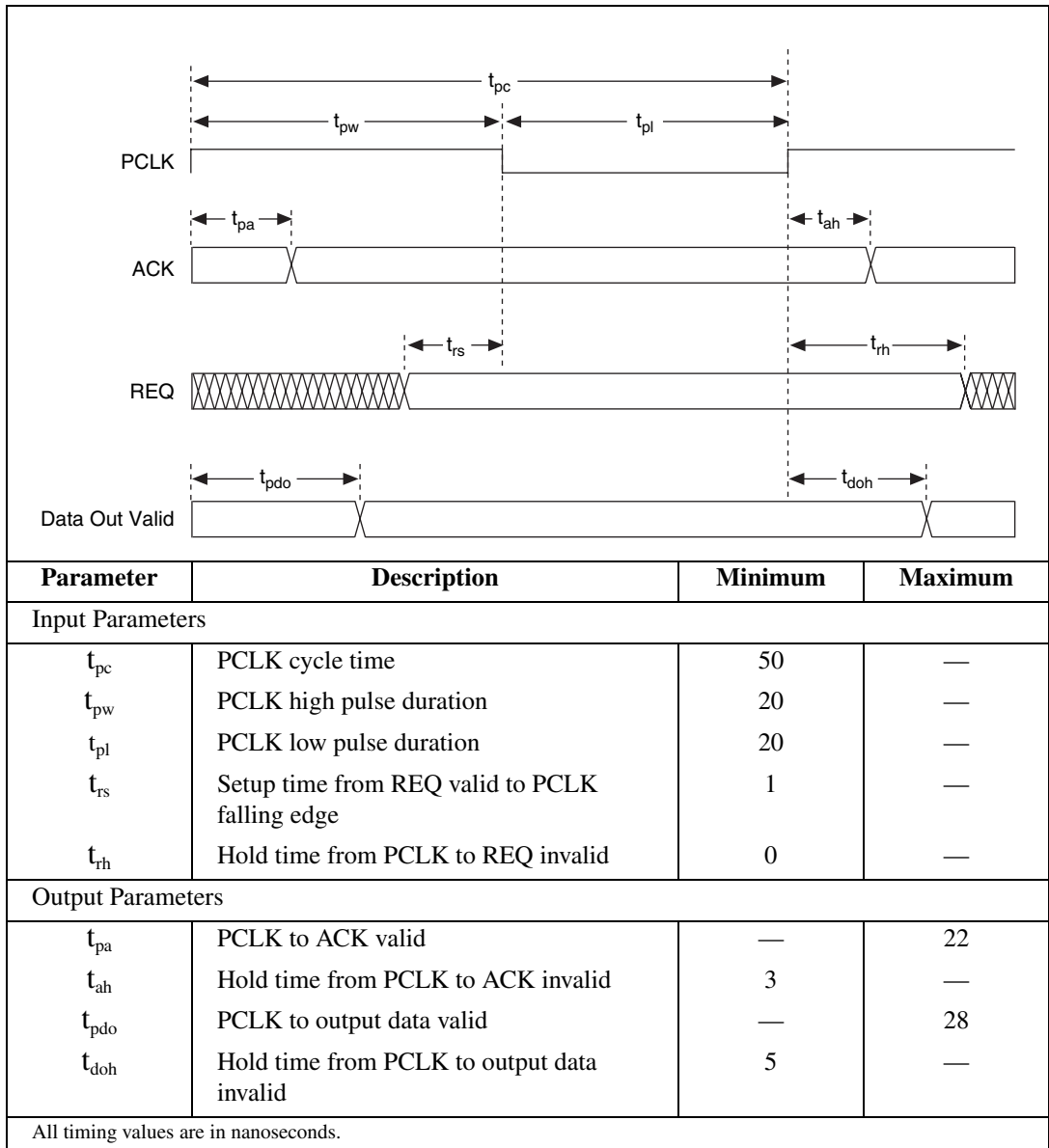


Figure 3-6. Burst Output Timing Diagram (Default)

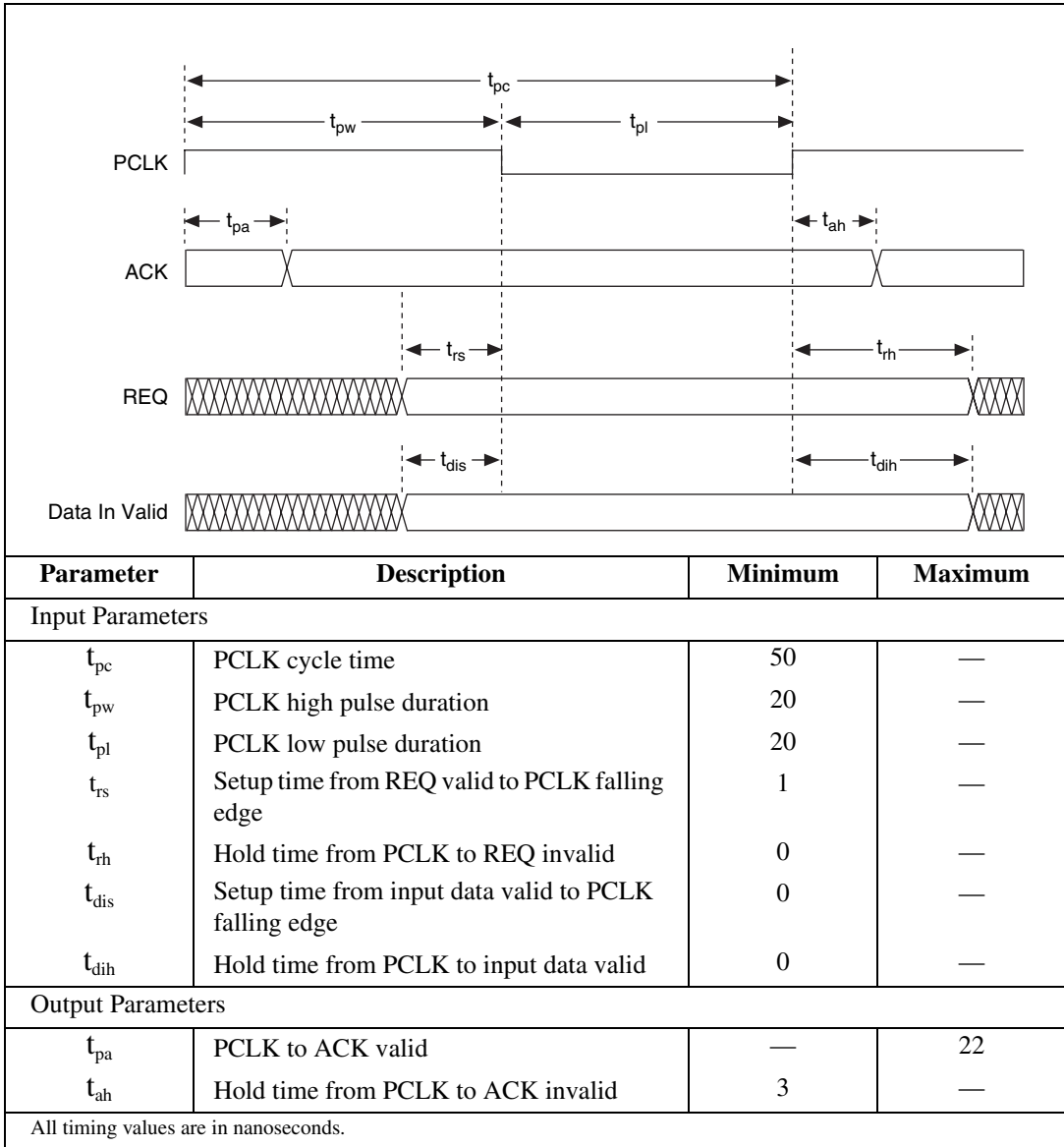


Figure 3-7. Burst Input Timing Diagram (PCLK Reversed)

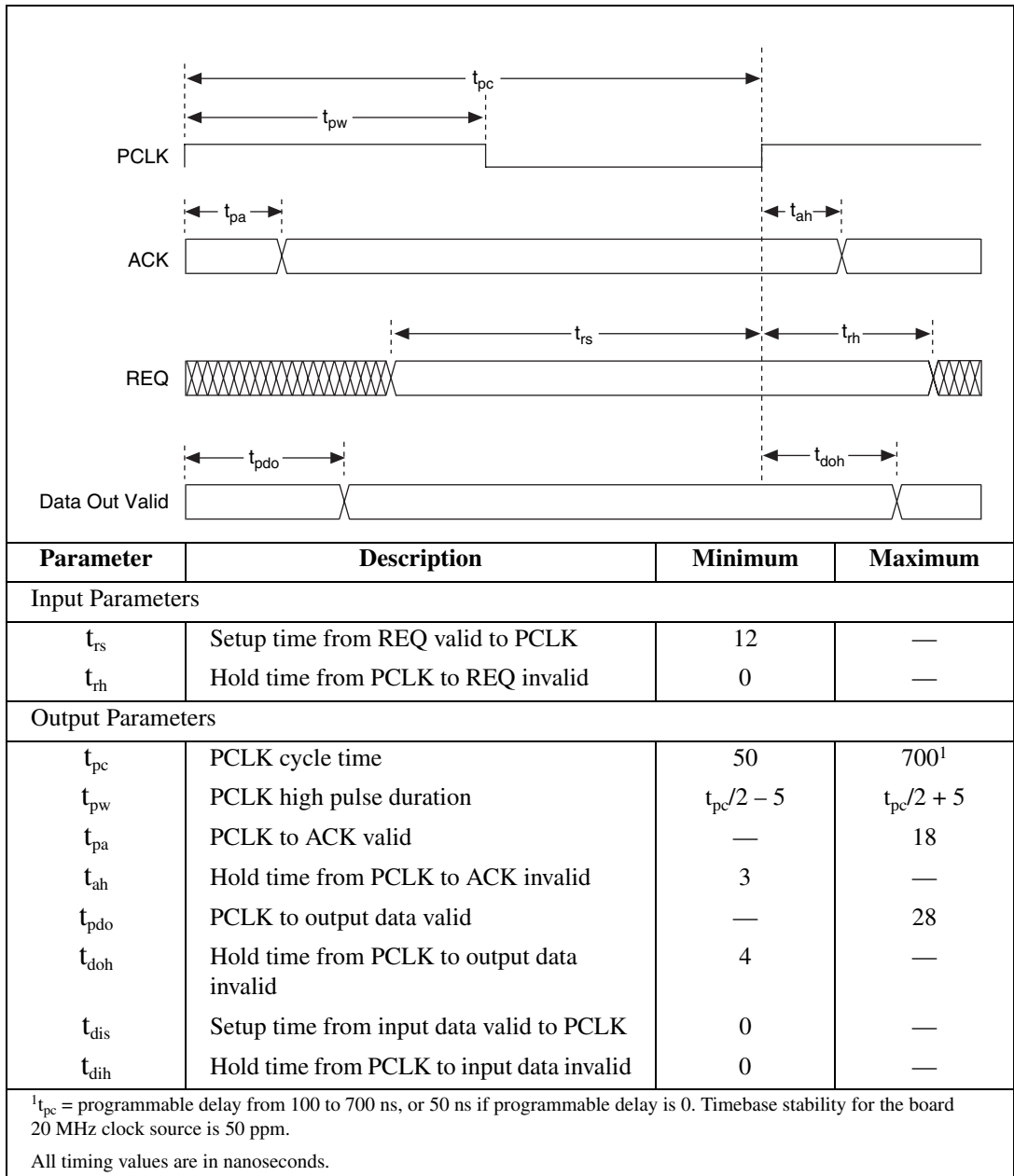


Figure 3-8. Burst Output Timing Diagram (PCLK Reversed)

Using Asynchronous Protocols

All handshaking protocols except burst are asynchronous. The asynchronous protocols include 8255 emulation, level ACK, leading edge, trailing edge, and long pulse.

When using these protocols, you have the following options:

- You can change the polarity of the ACK and REQ signals (except for 8255-emulation). The diagrams in this chapter show active-high signals.
- You can set a programmable delay, from 0 to 700 ns, programmable in increments of 100 ns. Use the programmable delay to insert wait states if you have a slow peripheral device. A delay increases the duration of each transfer. The location of the delay in the handshaking sequence differs from protocol to protocol. In addition, a delay increases the minimum spacing between consecutive transfers.
- You can enable request-edge latching, where in input, the 653X device latches data in from the I/O connector on the active REQ edge before reading the data. For output, after writing the data, the 653X device latches data out of the I/O connector on the active REQ edge. The active edge of the REQ is determined (rising or falling) by the handshaking protocol and the REQ polarity.

Using the 8255-Emulation Protocol

Your 653X device can perform handshaking I/O with devices that contain the 8255 chip, including National Instruments PC-DIO-24/PnP, 650X family, and PC-DIO-96/PnP. Performing the 8255-emulation protocol with your 653X device is similar to 8255 or 82C55 Programmable Peripheral Interface (PPI).



Note The 653X devices does not emulate the bidirectional protocol of a 8255 device.

The 653X device can perform back-to-back transfers much faster than a true 8255-based device. If your peripheral device requires more time between transfers, configure the 653X device to add a data-settling delay between transfers.



Note In the 8255-emulation protocol, ACK and REQ are active low, reflected in the following timing diagrams. For all other handshaking I/O protocols, the polarity of the ACK and REQ are programmable, but are shown as active high signals in the following diagrams.

653X device terminology differs from 8255 terminology.

- Input—The REQ line carries the 8255 STB (Strobe) input signal, and the 653X device ACK line carries the 8255 IBF (Input Buffer Full) output signal.
- Output—The REQ line carries the 8255 $\overline{\text{ACK}}$ input signal, and the 653X device ACK line carries the 8255 $\overline{\text{OBF}}$ (Output Buffer Full) output signal.

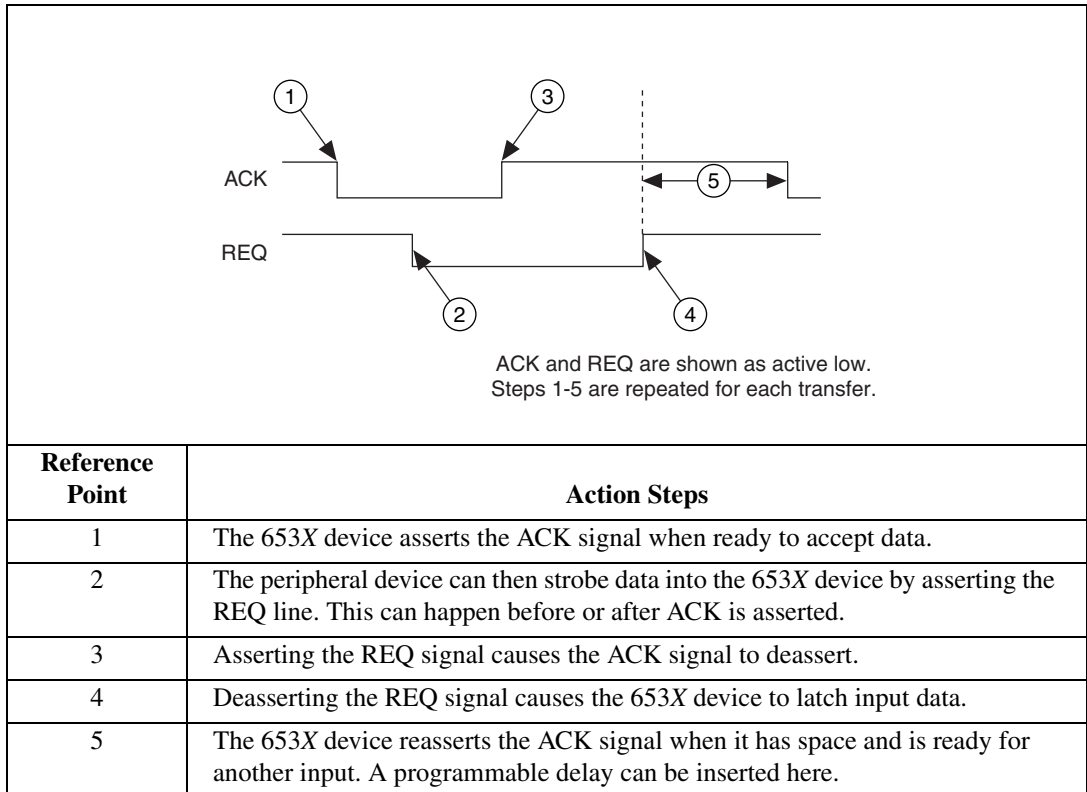


Figure 3-9. 8255 Emulation Input Handshaking Sequence

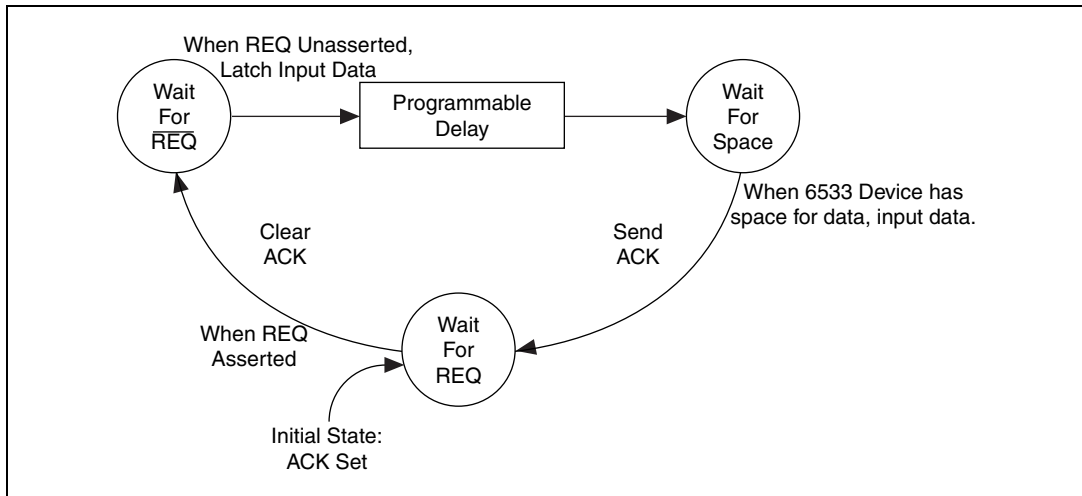


Figure 3-10. 8255 Emulation Input State Machine

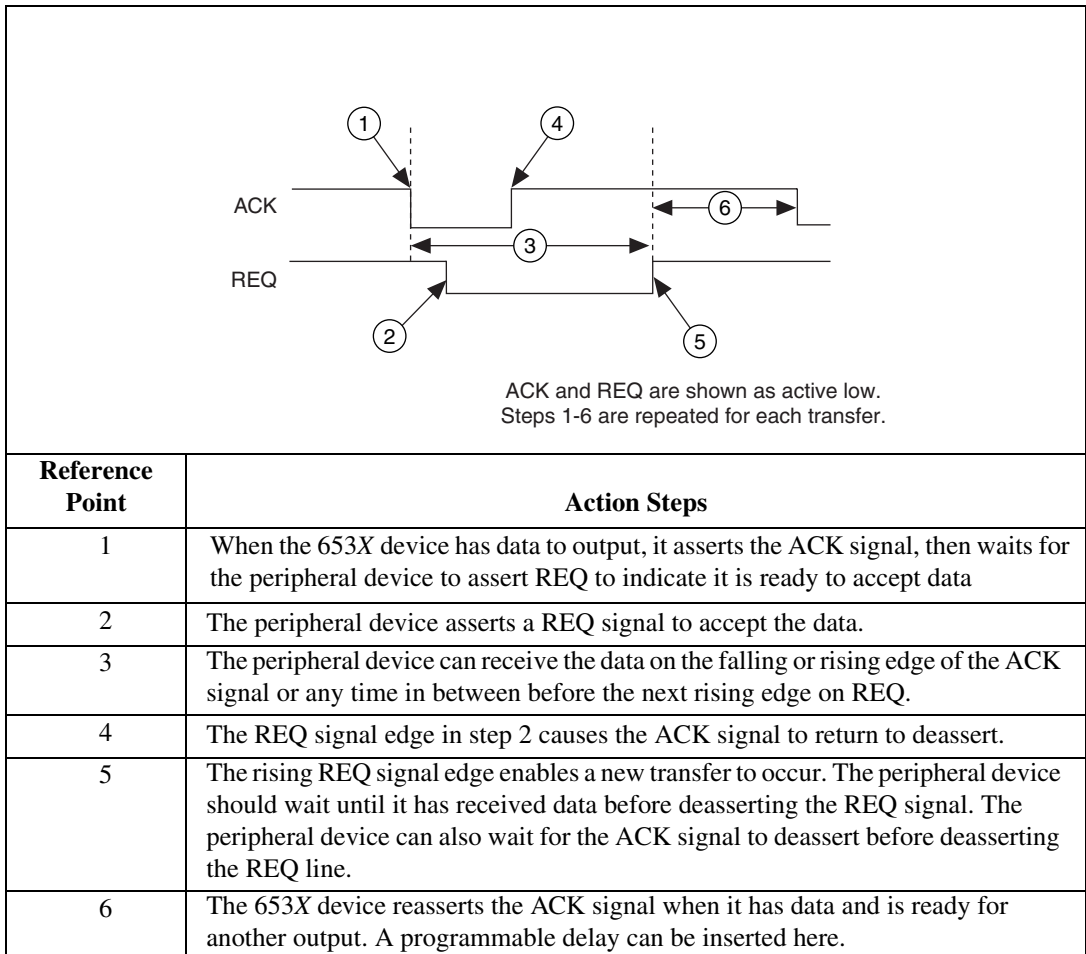


Figure 3-11. 8255 Emulation Output Handshaking Sequence

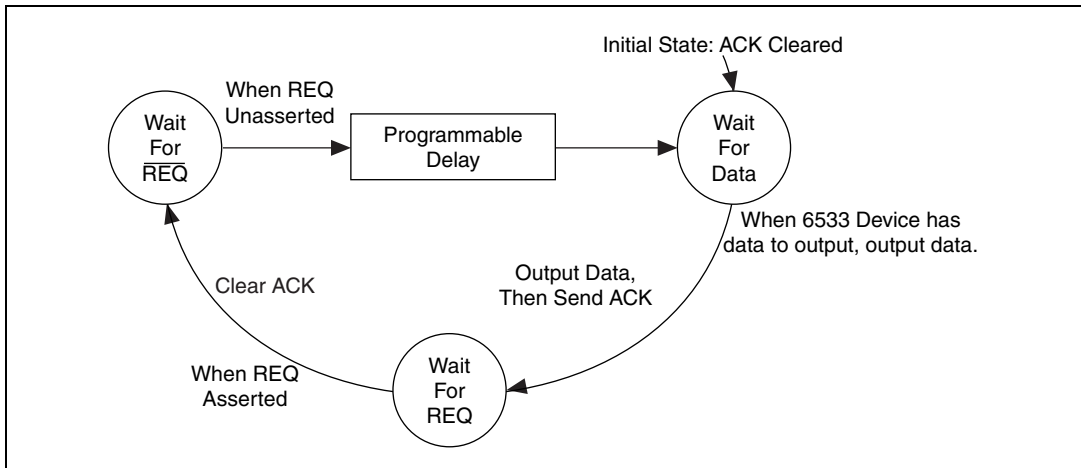


Figure 3-12. 8255 Emulation Output State Machine

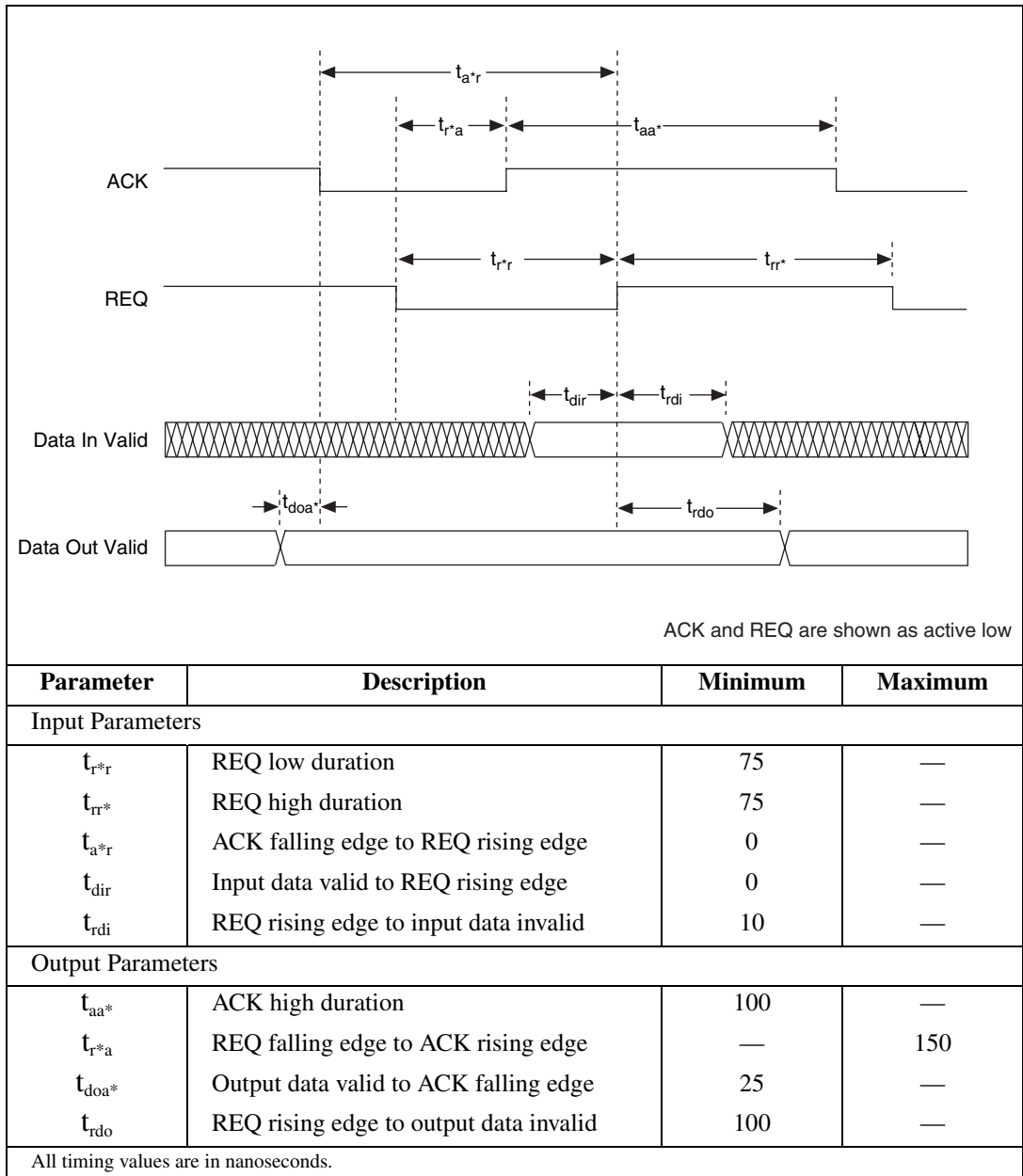


Figure 3-13. 8255 Emulation Output Timing Diagram

Using the Level-ACK Protocol

In level-ACK protocol, the 653X device asserts the ACK signal when ready for a transfer and holds the ACK signal level until an active-going edge occurs on the REQ line. After the REQ edge occurs, the 653X device deasserts the ACK signal until the device is ready for another transfer.

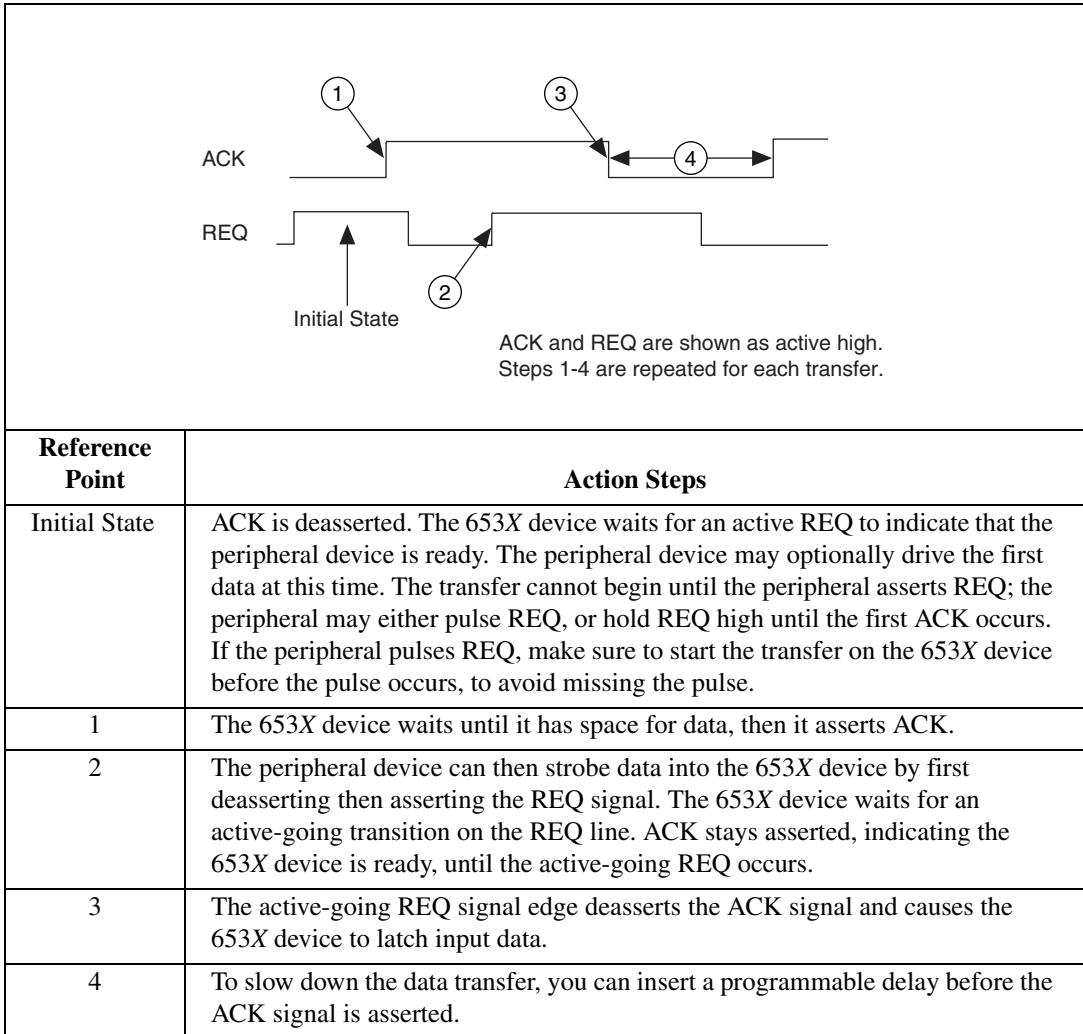


Figure 3-14. Level ACK Input Handshaking Sequence

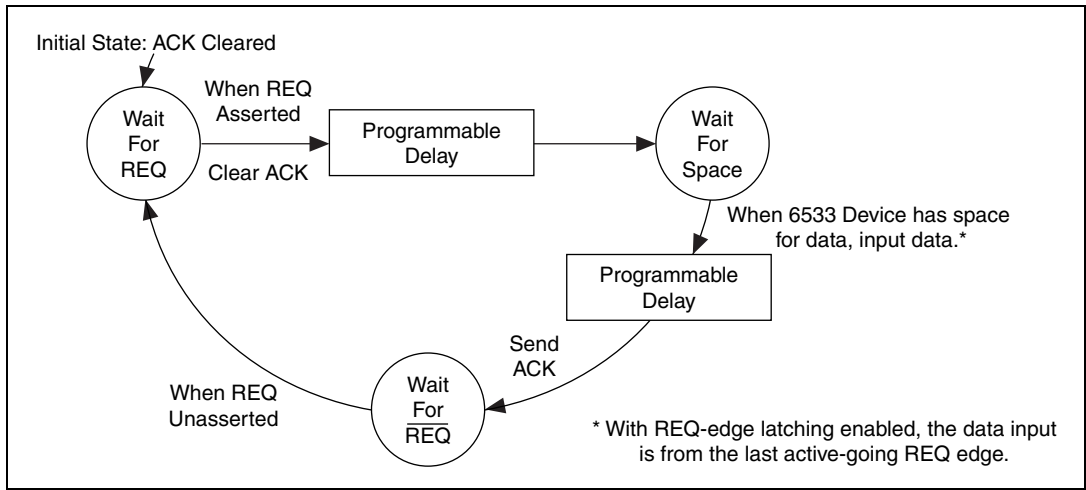


Figure 3-15. Level ACK Input State Machine

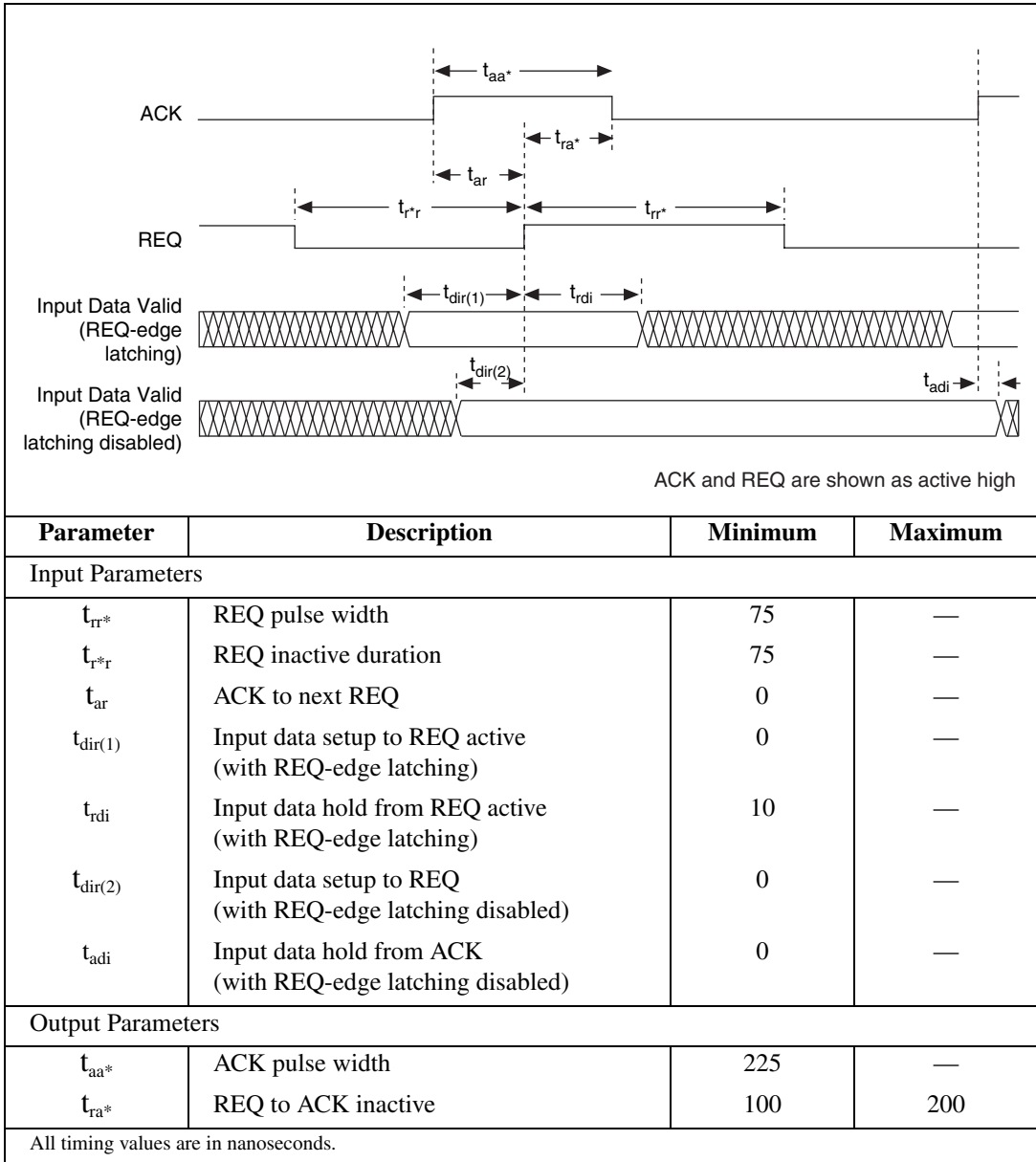


Figure 3-16. Level ACK Input Timing Diagram



Note With REQ edge latching enabled (default), the REQ edge determines when data will be latched. Input data valid has to be held before the active going REQ edge a minimum of t_{rdi} ns. With REQ edge disabled, input data valid has to be held t_{adi} after the next active going ACK signal edge is asserted.

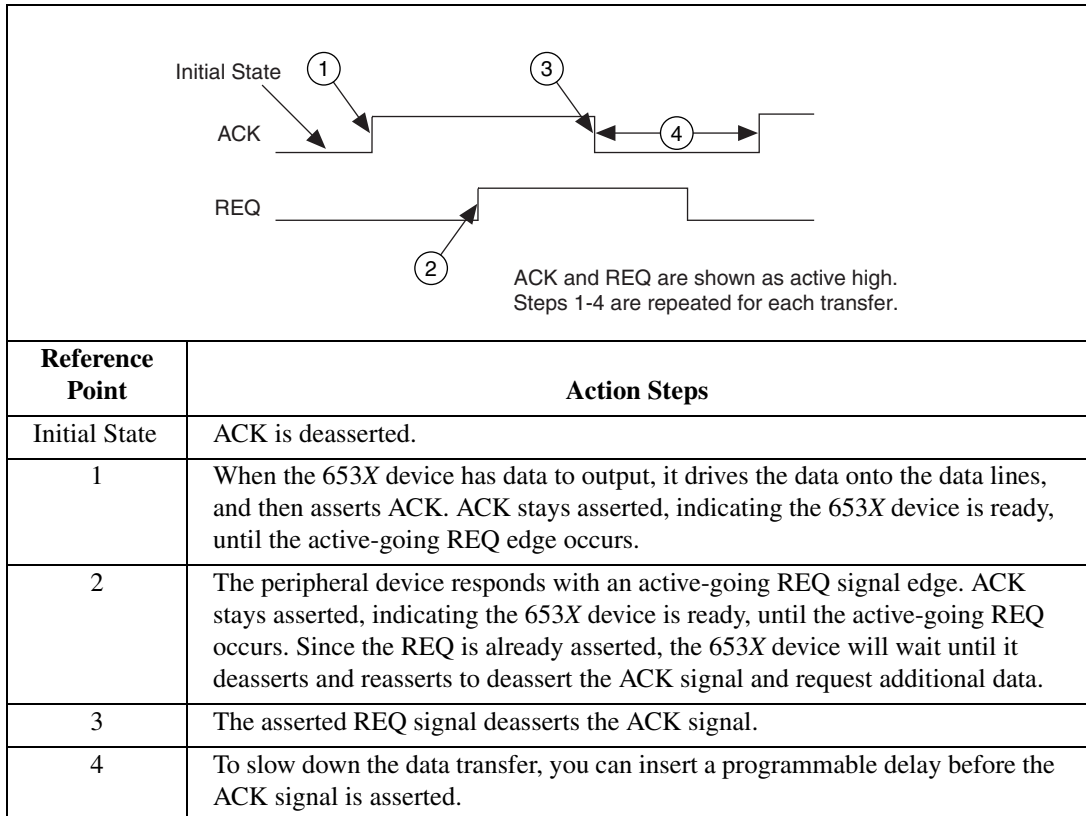


Figure 3-17. Level ACK Output Handshaking Sequence

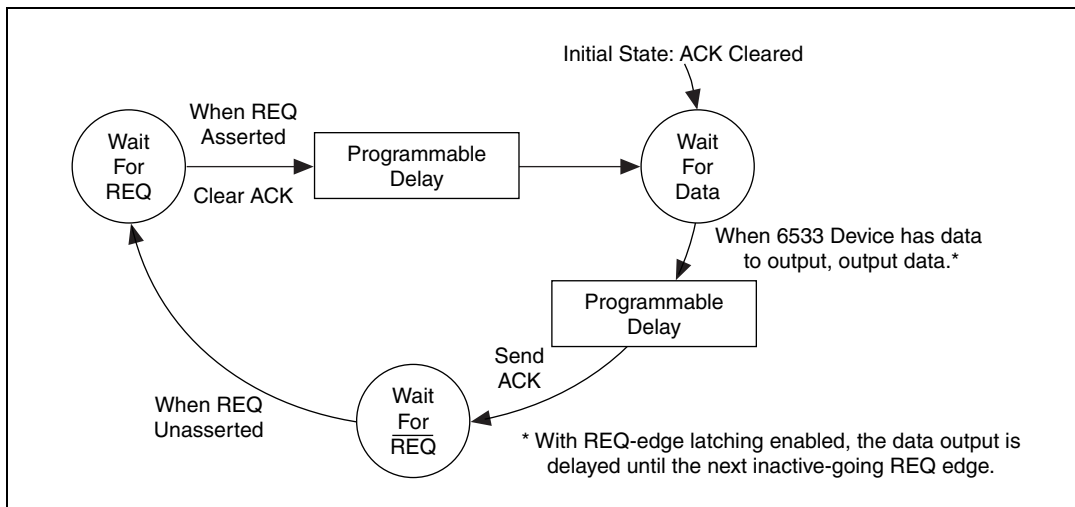


Figure 3-18. Level ACK Output State Machine

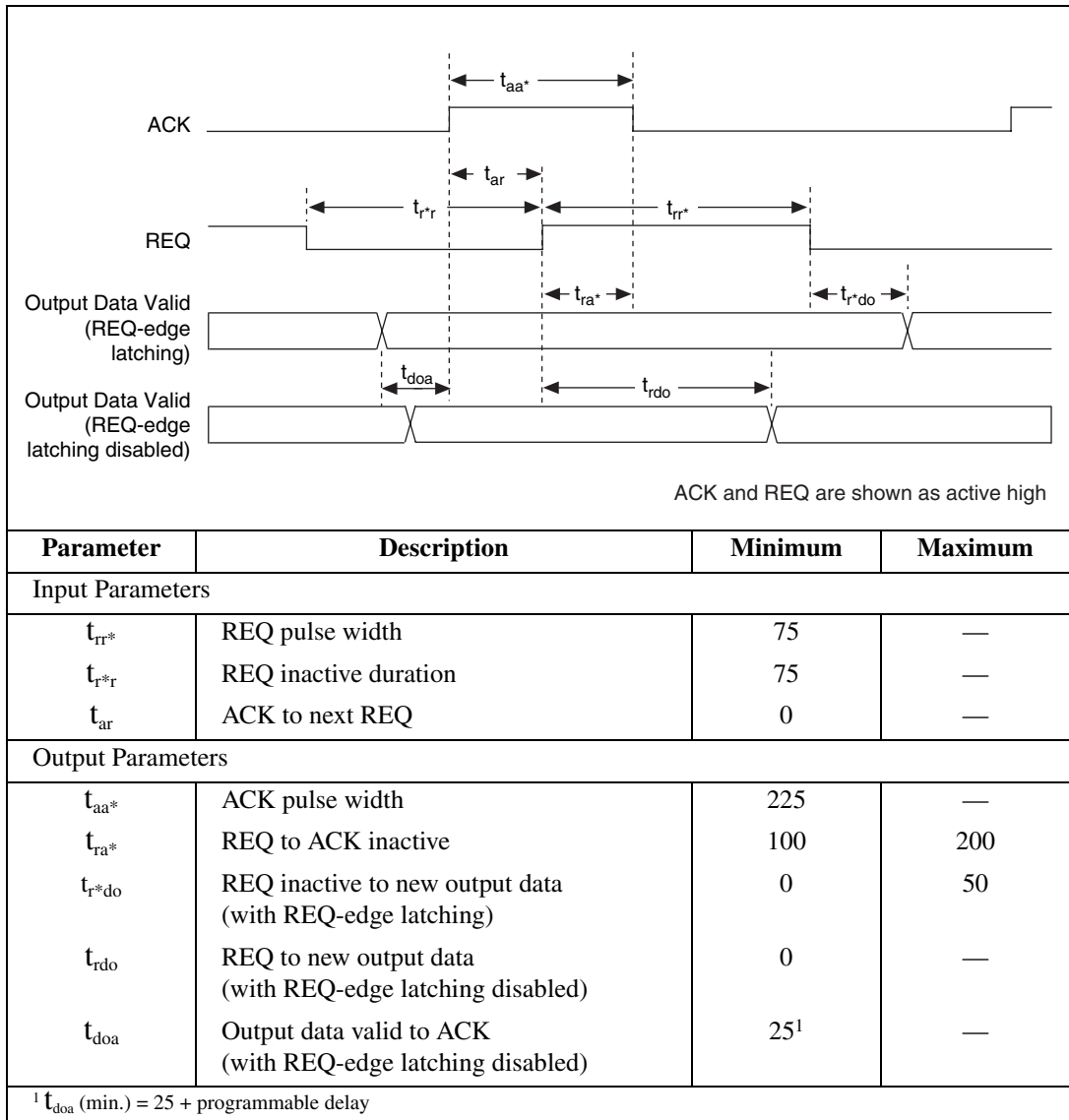


Figure 3-19. Level ACK Output Timing Diagram



Note With REQ edge latching disabled (default), output data valid will hold t_{rdo} ns after the REQ edge is asserted. With REQ edge latching enabled, that data will be held for at most t_{rdo} ns after the REQ edge deasserts.

Using Protocols Based on Signal Edges

The 653X device can communicate via pulses on the ACK and REQ lines. The three edge protocols are:

- Trailing-edge protocol—The trailing edge of the ACK or REQ pulse indicates that the 653X device or peripheral device is ready for a transfer.
- Leading-edge protocol—The rising edge of the ACK or REQ pulse indicates that the 653X device or peripheral device is ready for a transfer
- Long-pulse protocol—This is a variant of the leading-edge protocol, with the additional option of using a data-settling delay. If your application requires a large minimum pulse width, you would want to use this protocol. In this case, the programmable delay is used to increase the ACK pulse width instead of delaying the ACK pulse.

You can also use long-pulse protocol to handshake with an actual 8255 or 82C55 PPI. You must set the ACK and REQ signals to active low and select a minimum pulse width of 500 ns for your 8255 or 82C55.

Using the Trailing-Edge Protocol

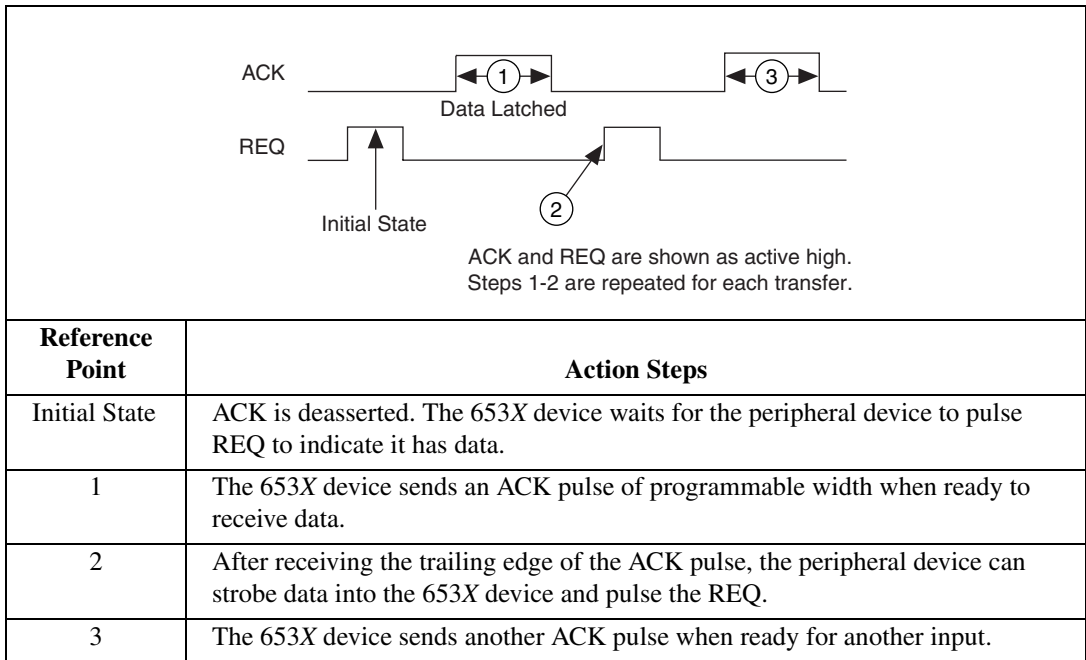


Figure 3-20. Trailing Edge Input Handshaking Sequence

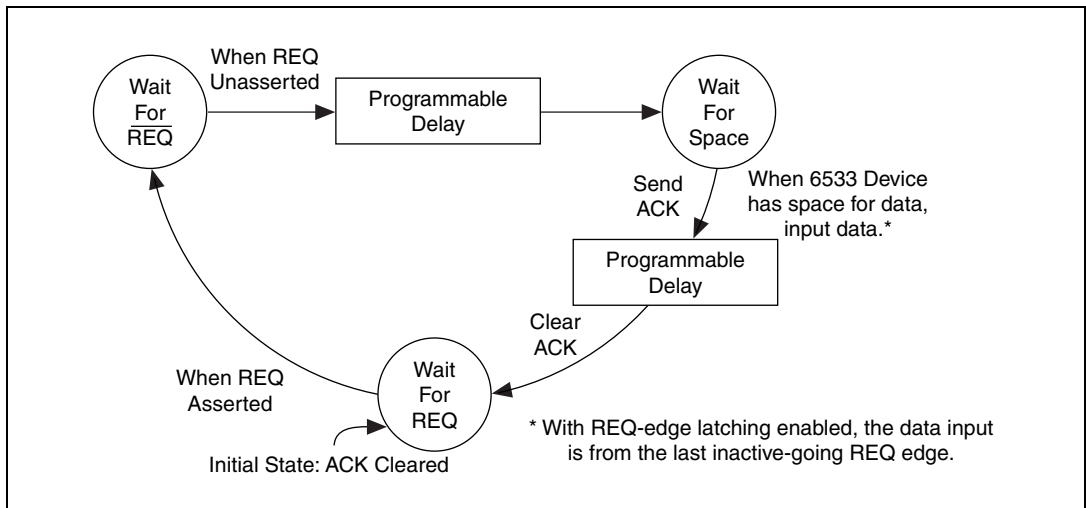


Figure 3-21. Trailing Edge Input State Machine

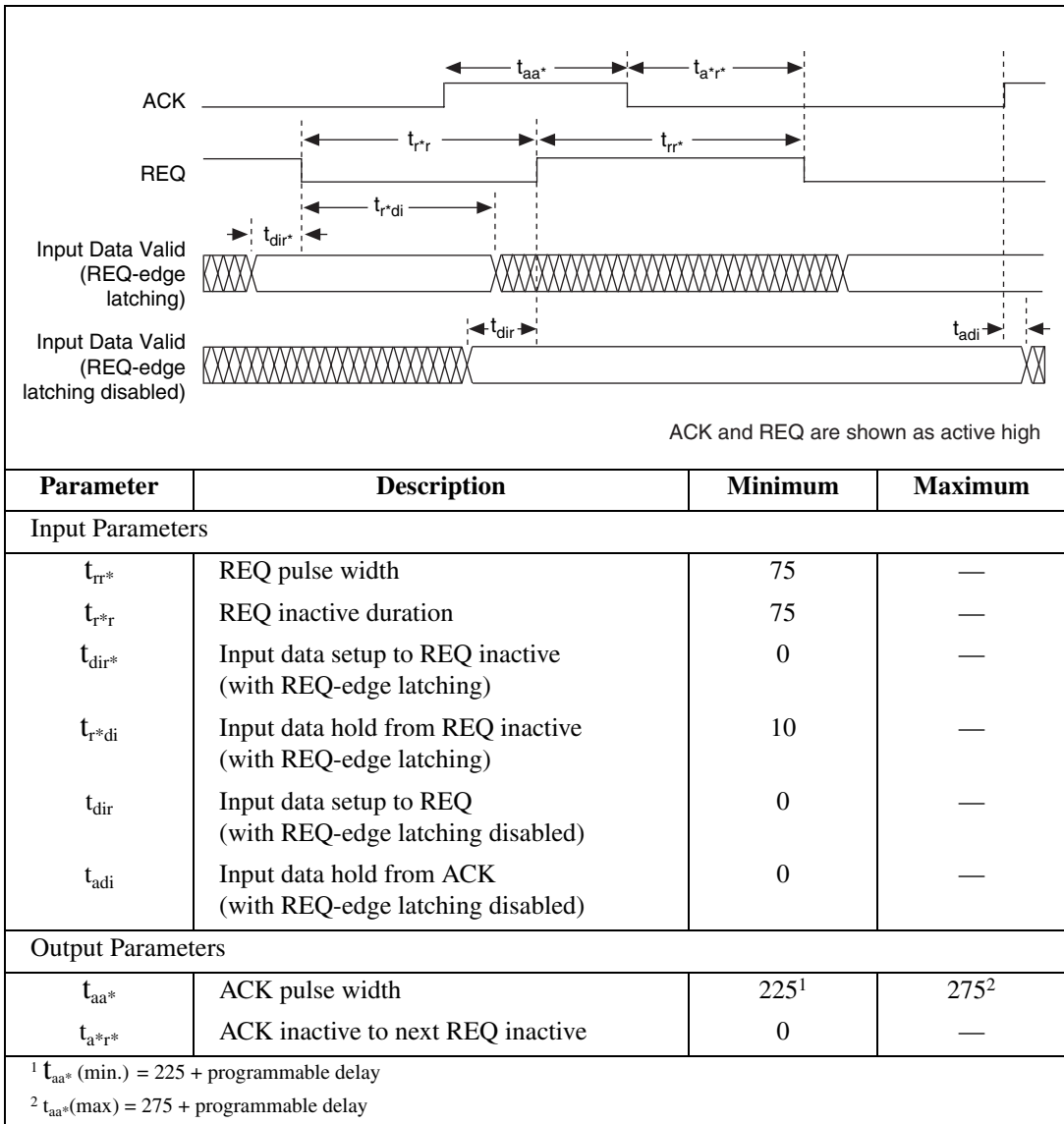


Figure 3-22. Trailing Edge Input Timing Diagram



Note When REQ-edge latching is enabled (default), the REQ edge determines when data will be latched. Input data valid needs to be held t_{r*di} after the trailing edge of REQ occurs. When REQ-edge latching is disabled, input data valid needs to be held t_{adi} after the active going edge of the ACK signal occurs.

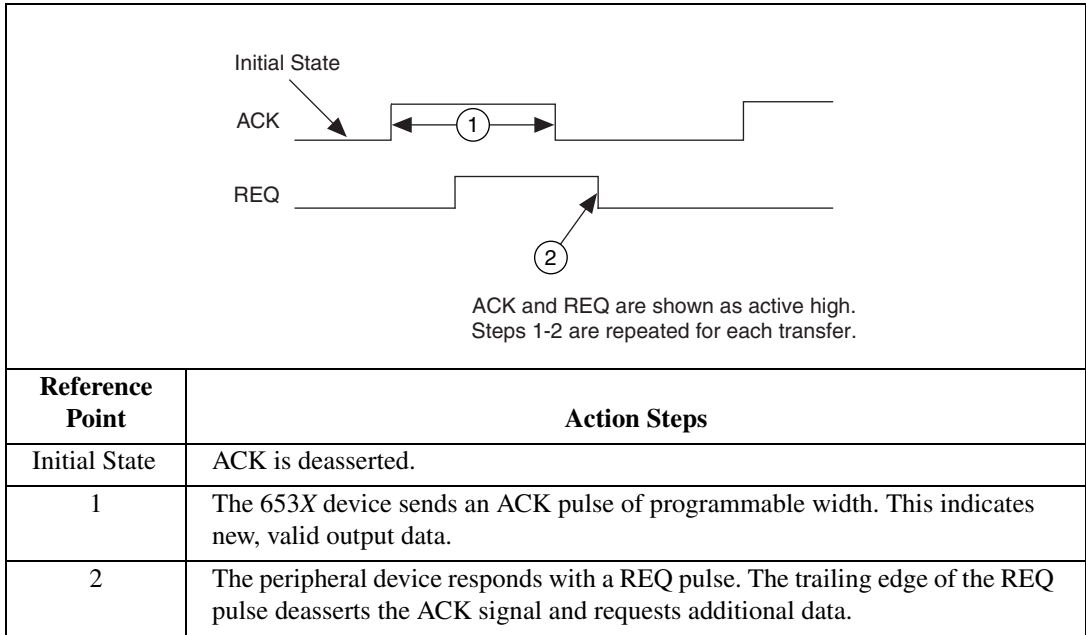


Figure 3-23. Trailing Edge Output Handshaking Sequence

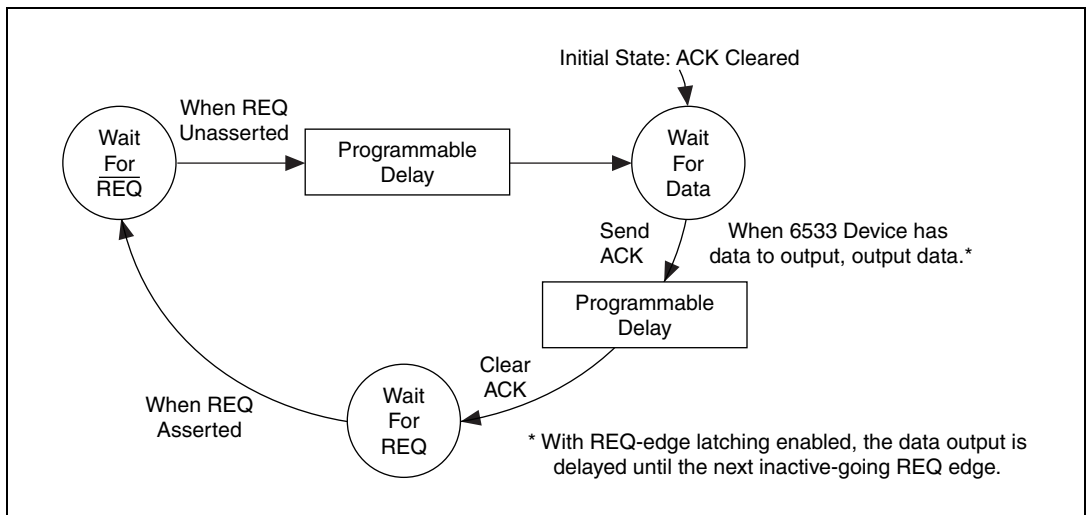


Figure 3-24. Trailing Edge Output State Machine

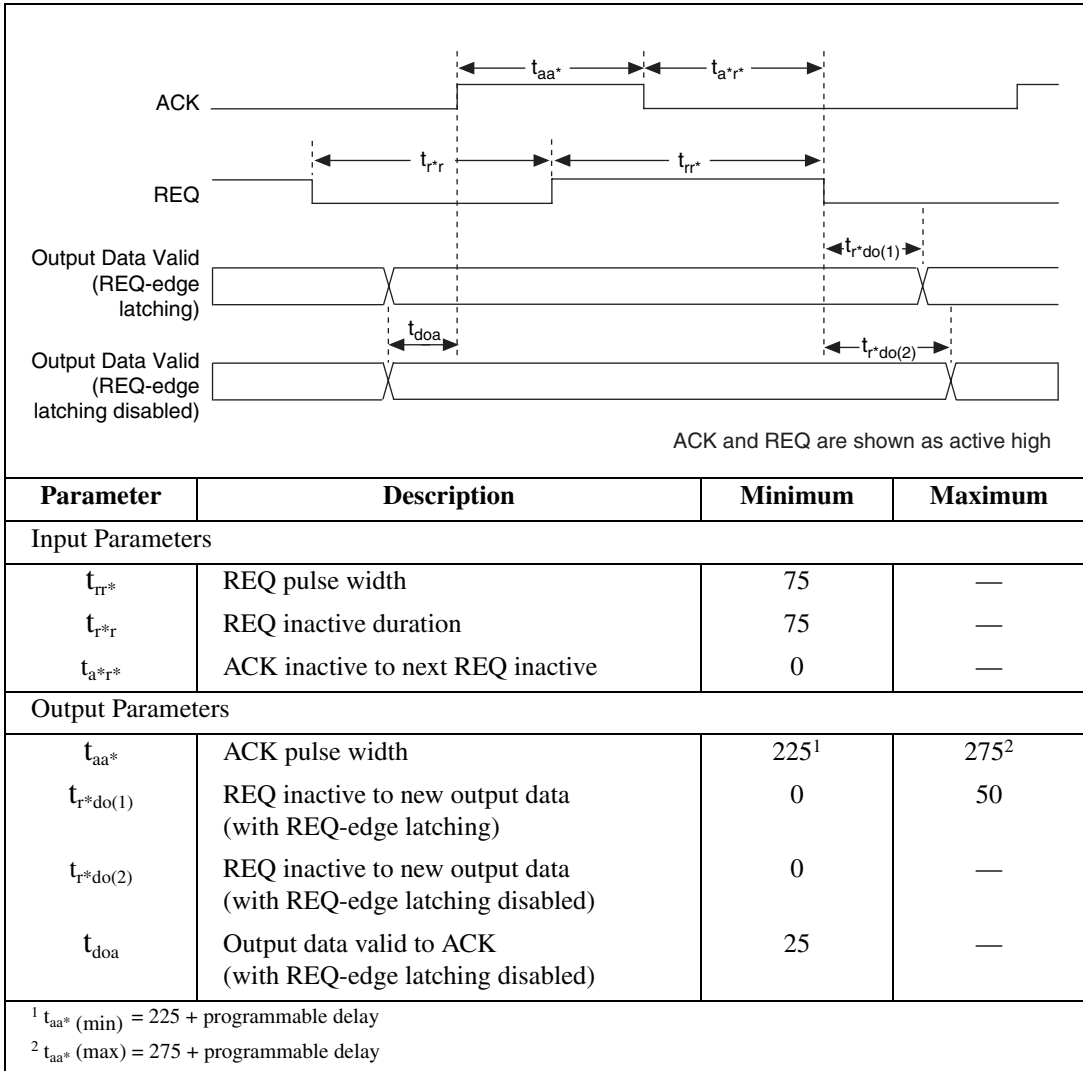


Figure 3-25. Trailing Edge Output Timing Diagram



Note When REQ-edge latching is disabled (default), output data valid will be held $t_{r^*do(1)}$ ns after the trailing edge of REQ occurs. With REQ-edge latching enabled, output data will be held at most $t_{r^*do(1)}$ ns after the trailing edge of REQ occurs.

Using the Leading-Edge Protocol

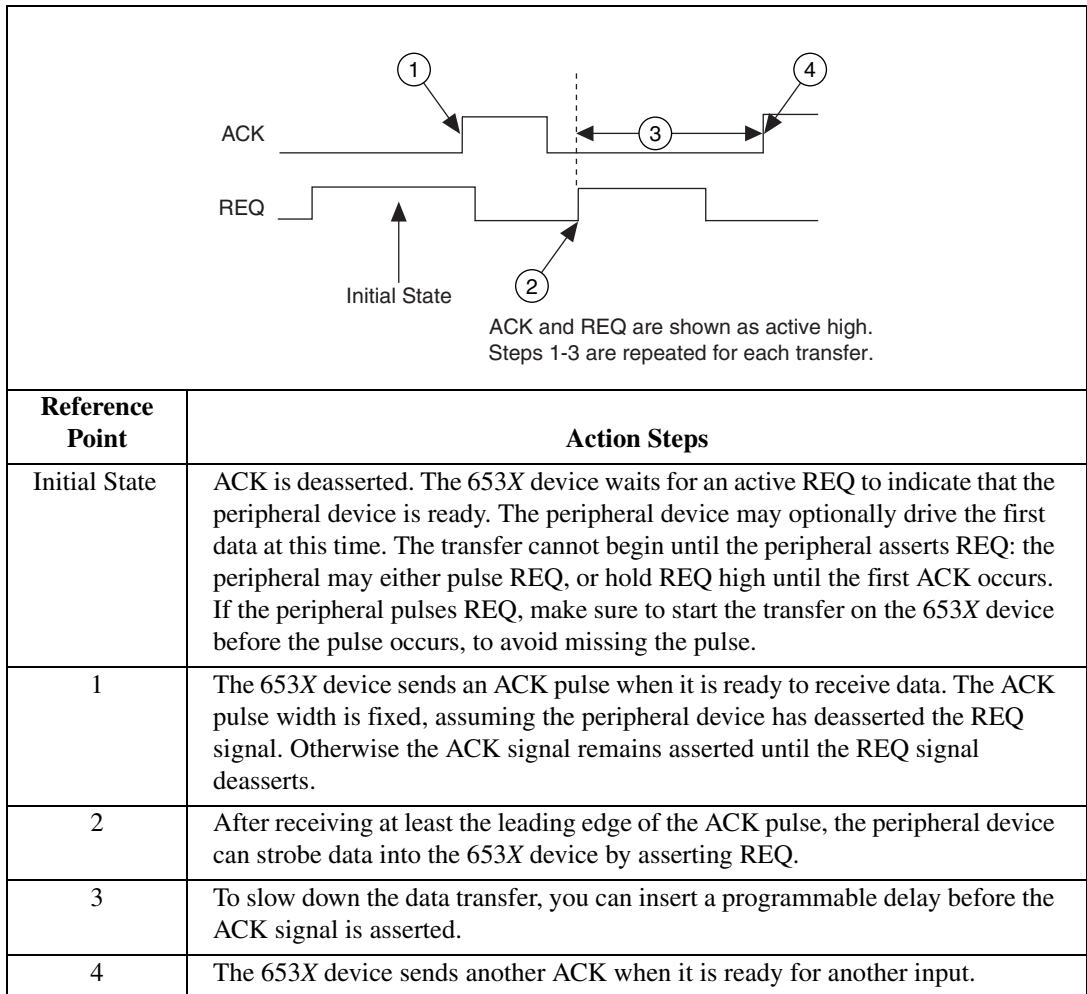


Figure 3-26. Leading Edge Input Handshaking Sequence

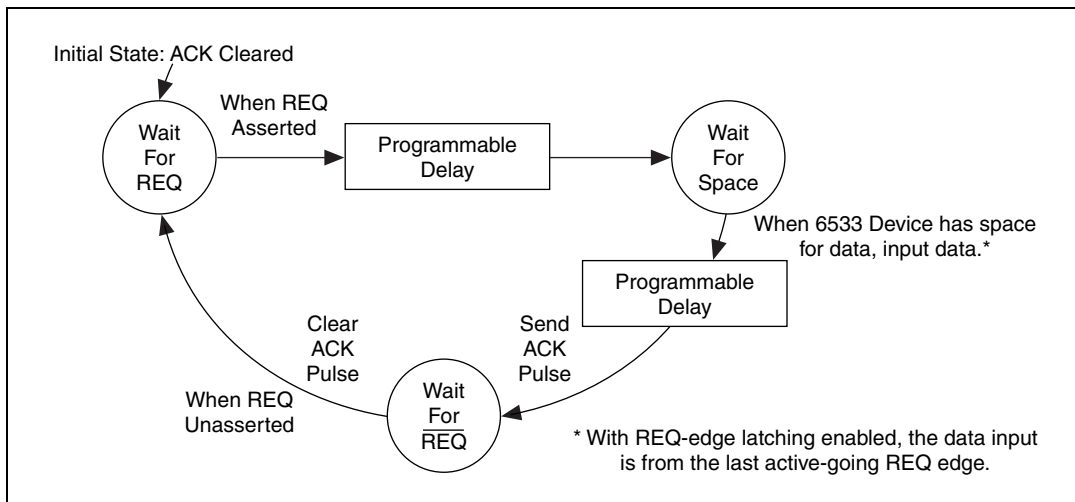


Figure 3-27. Leading Edge Input State Machine

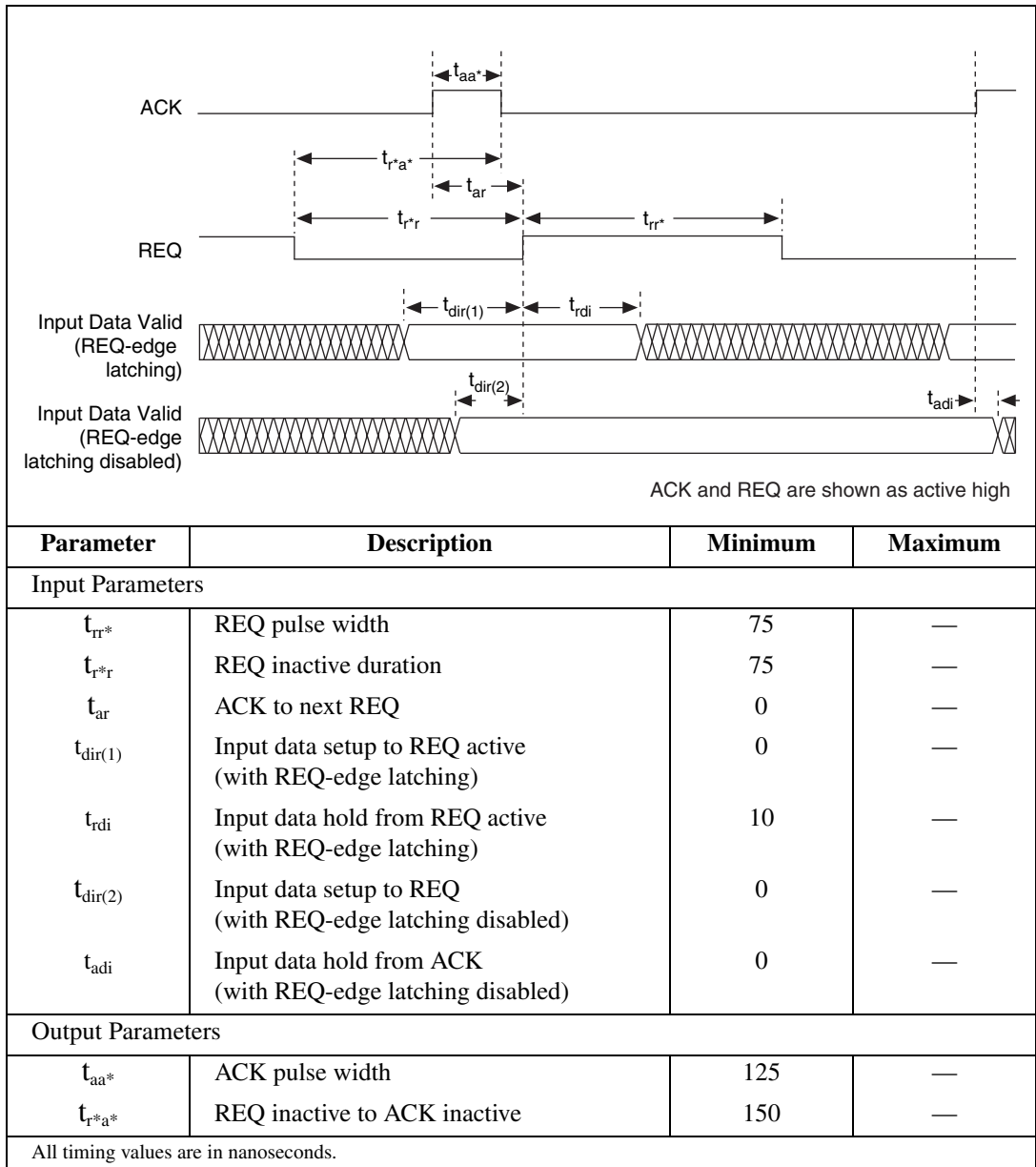


Figure 3-28. Leading Edge Input Timing Diagram



Note With REQ edge latching enabled (default), the REQ edge determines when data will be latched. Input data valid has to be held before an active going REQ edge a minimum of t_{rdi} ns. With REQ edge disabled, it has to be held t_{adi} after the next active-going ACK signal edge occurs.

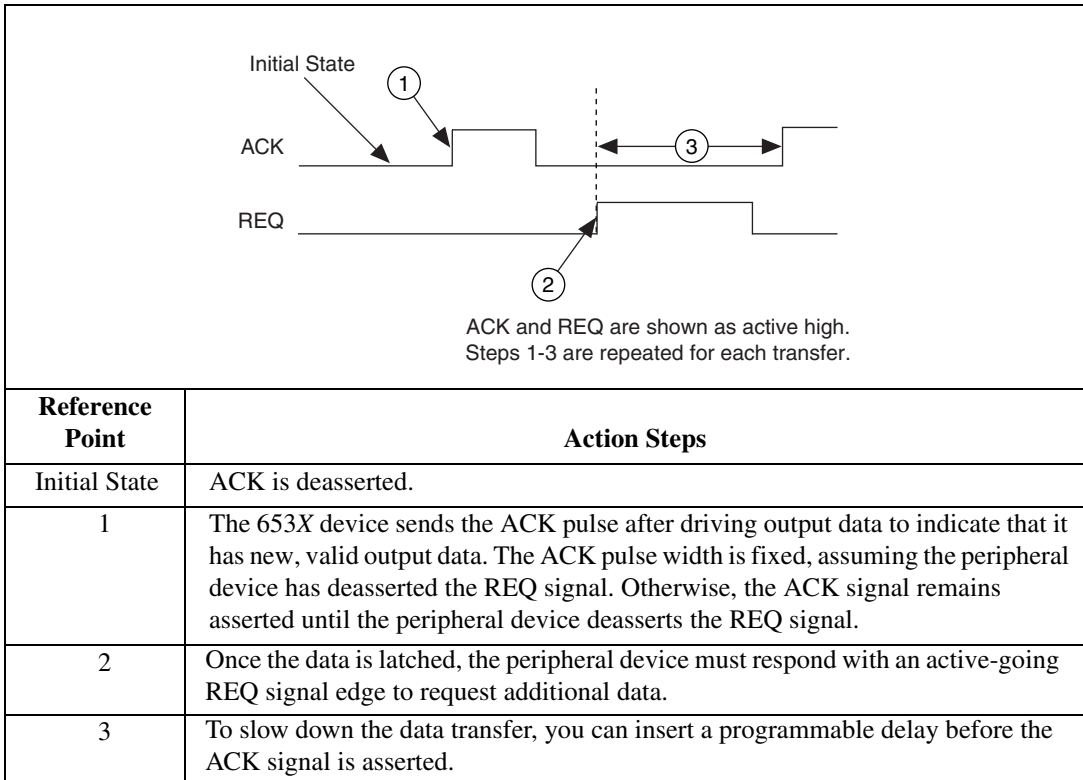


Figure 3-29. Leading Edge Output Handshaking Sequence

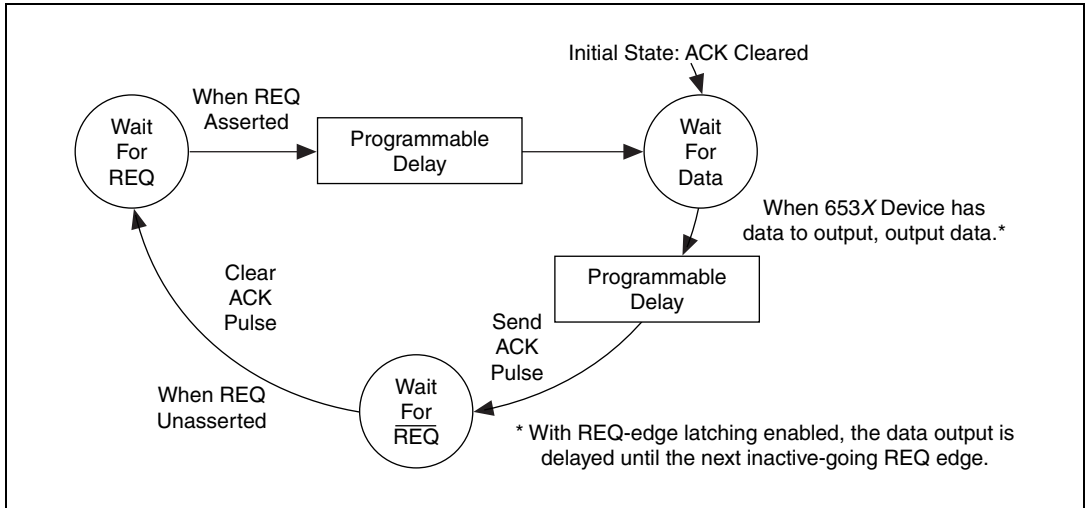


Figure 3-30. Leading Edge Output State Machine

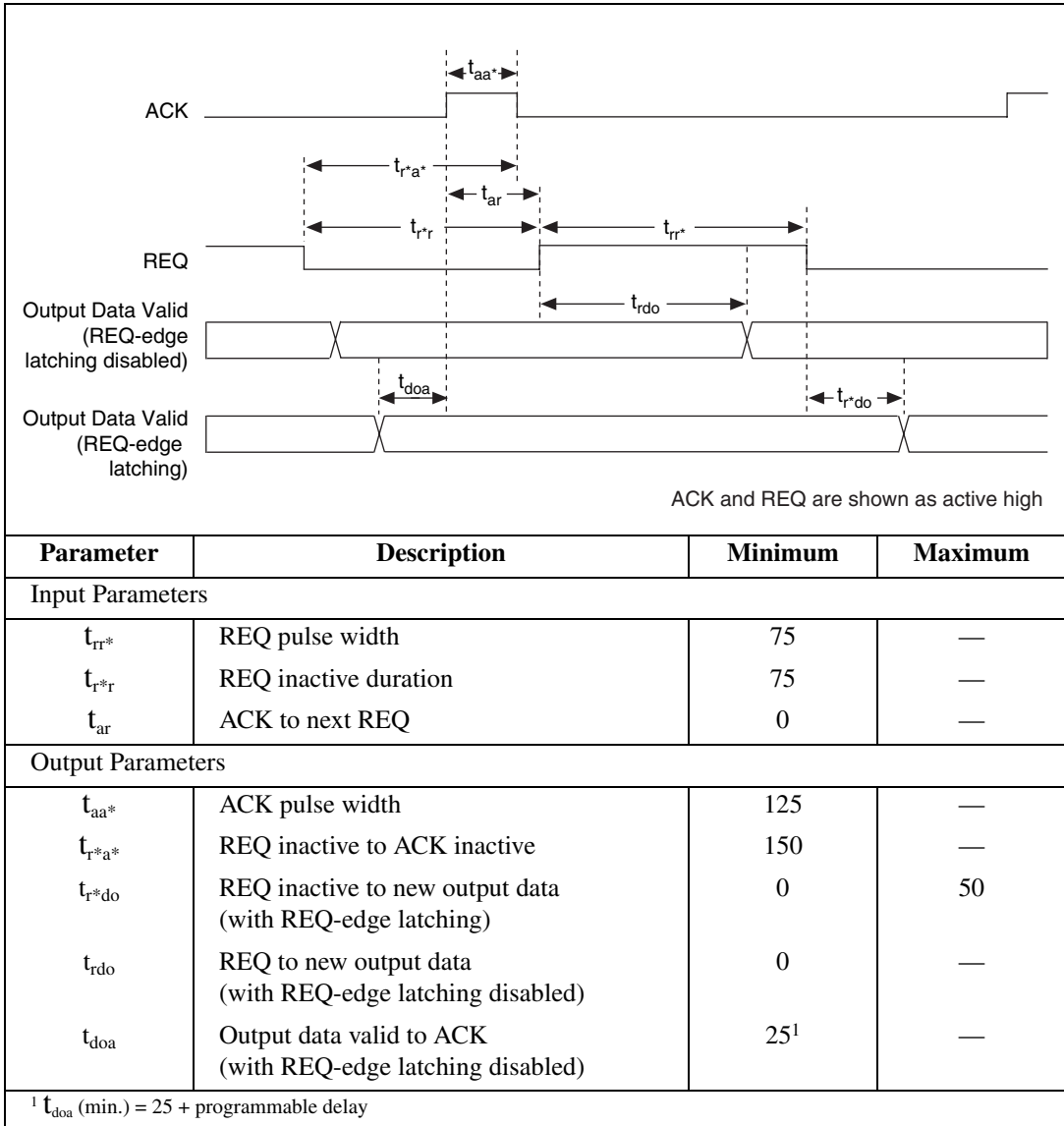


Figure 3-31. Leading Edge Output Timing Diagram



Note With REQ edge latching disabled (default), output data valid will hold t_{rdo} ns after the REQ edge occurs. With REQ edge latching enabled, that data will be held for at most t_{rdo} ns after the REQ edge deasserts.

Using the Long-Pulse Protocol

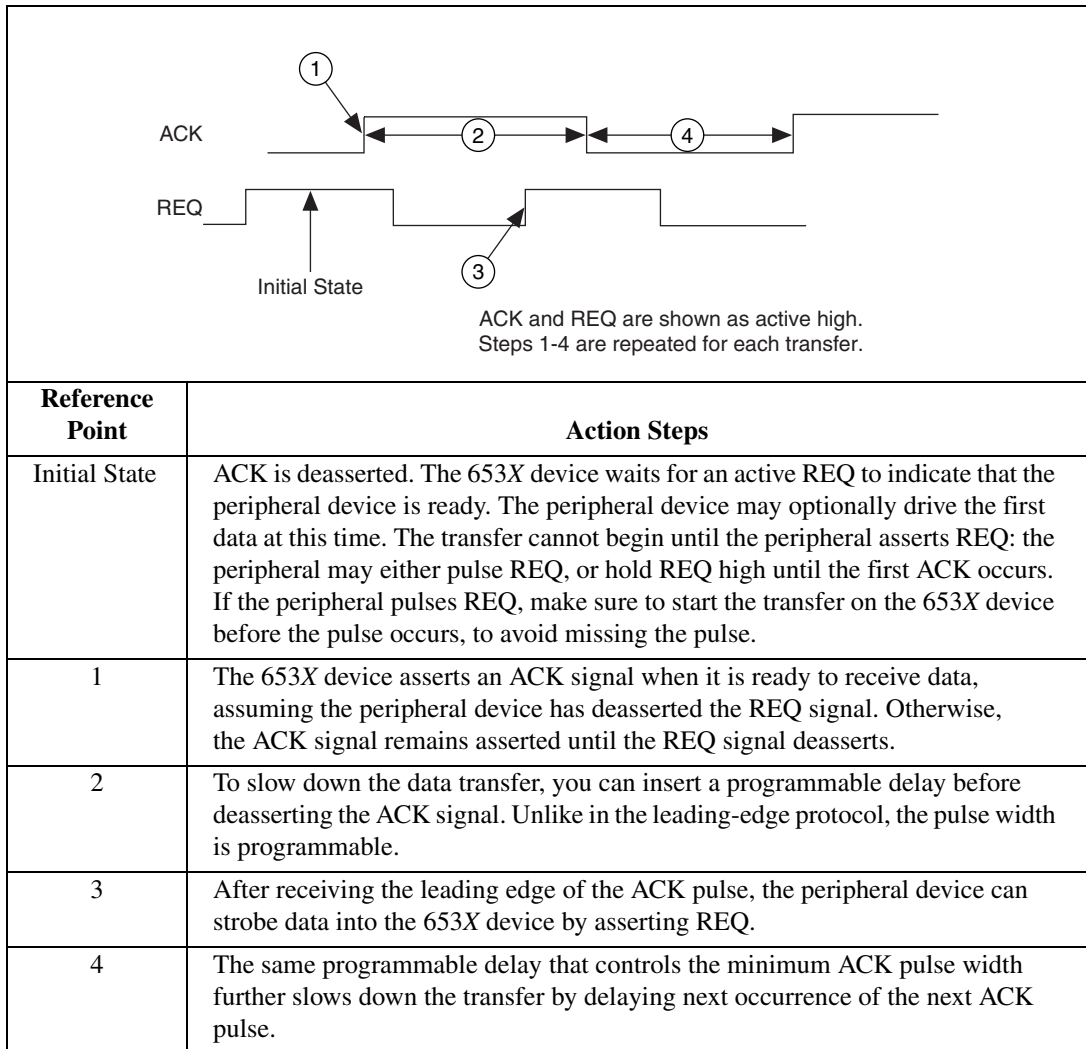


Figure 3-32. Long Pulse Input Handshaking Sequence

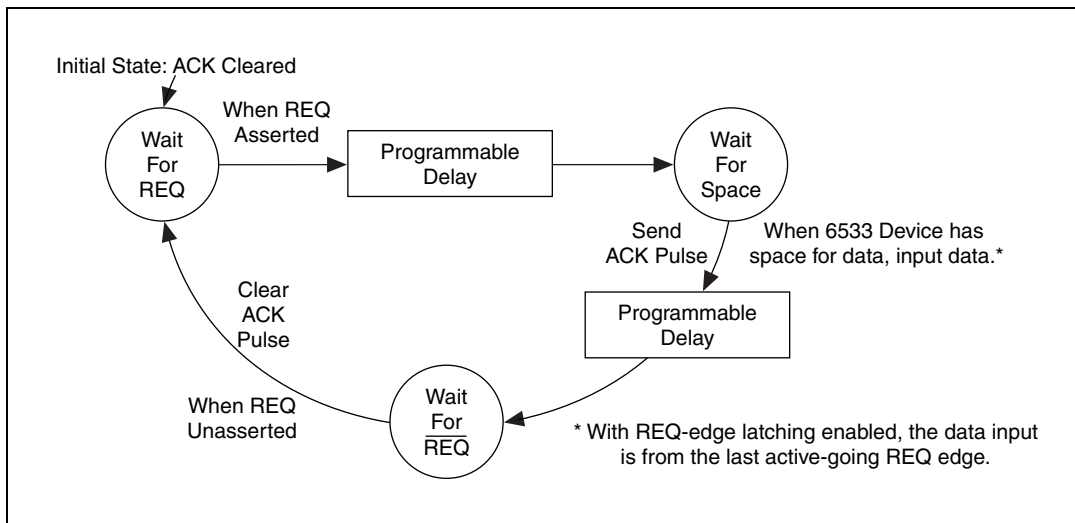


Figure 3-33. Long Pulse Input State Machine

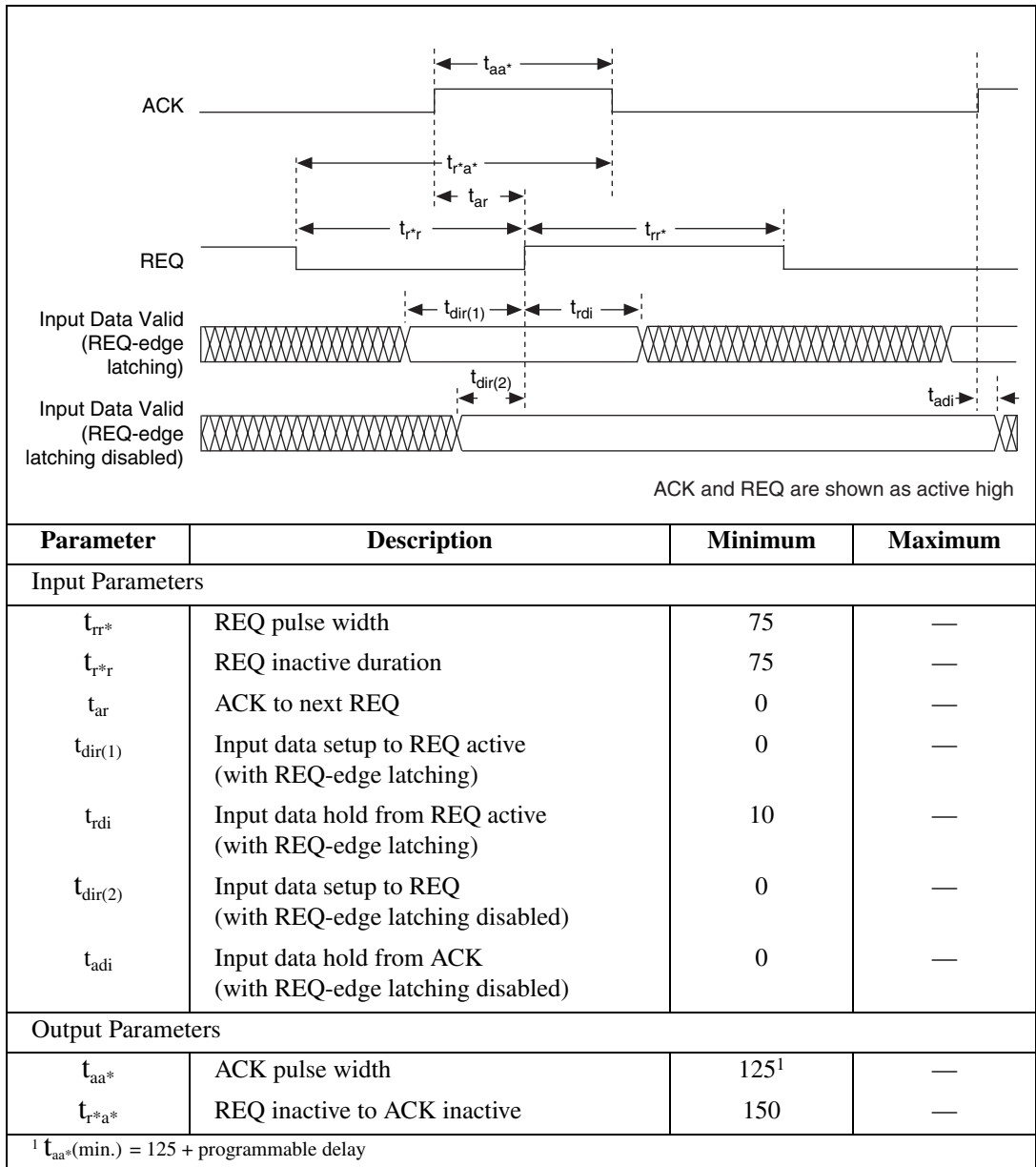


Figure 3-34. Long Pulse Input Timing Diagram



Note With REQ edge latching enabled (default) REQ edge determines when data will be latched. Input data valid has to be held before active going REQ edge a minimum of t_{rdi} ns. With REQ edge disabled, it has to be held t_{adi} after the next active going ACK signal edge occurs.

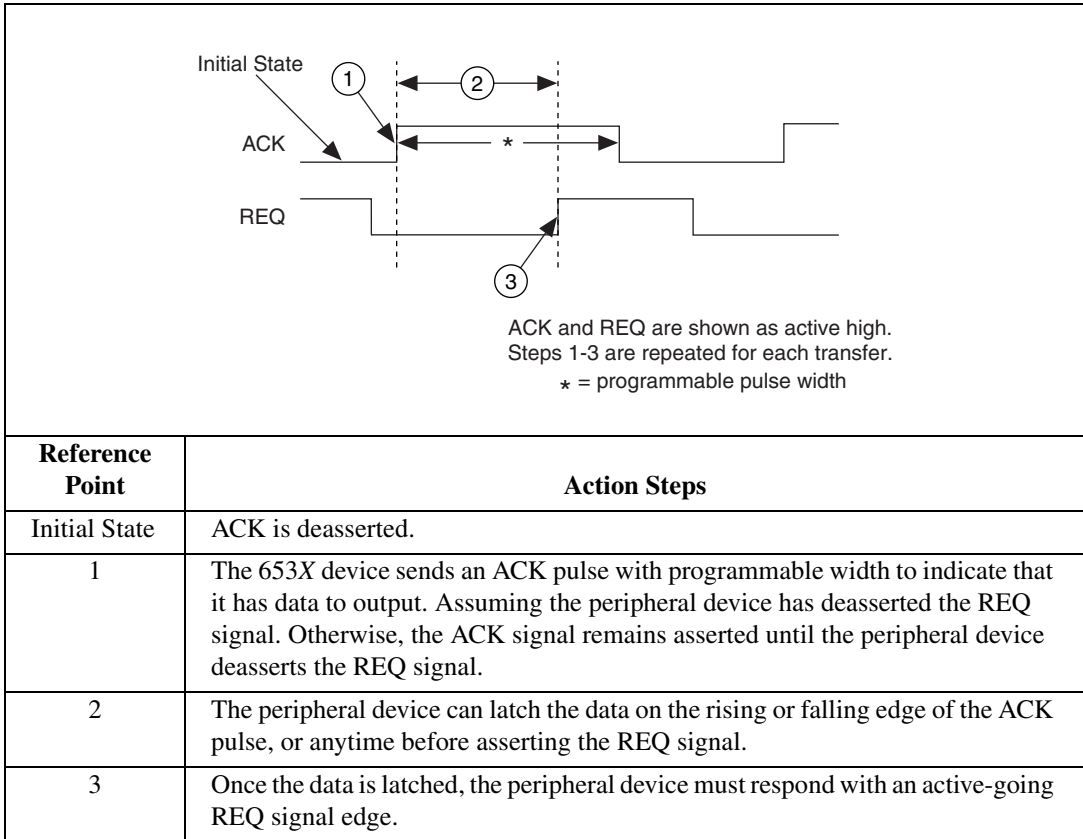


Figure 3-35. Long Pulse Output Handshaking Sequence

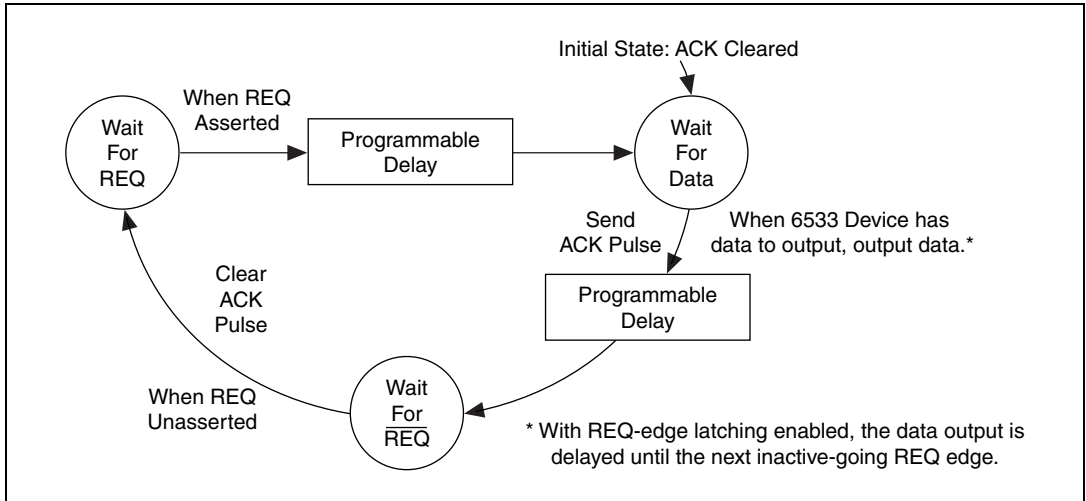


Figure 3-36. Long Pulse Output State Machine

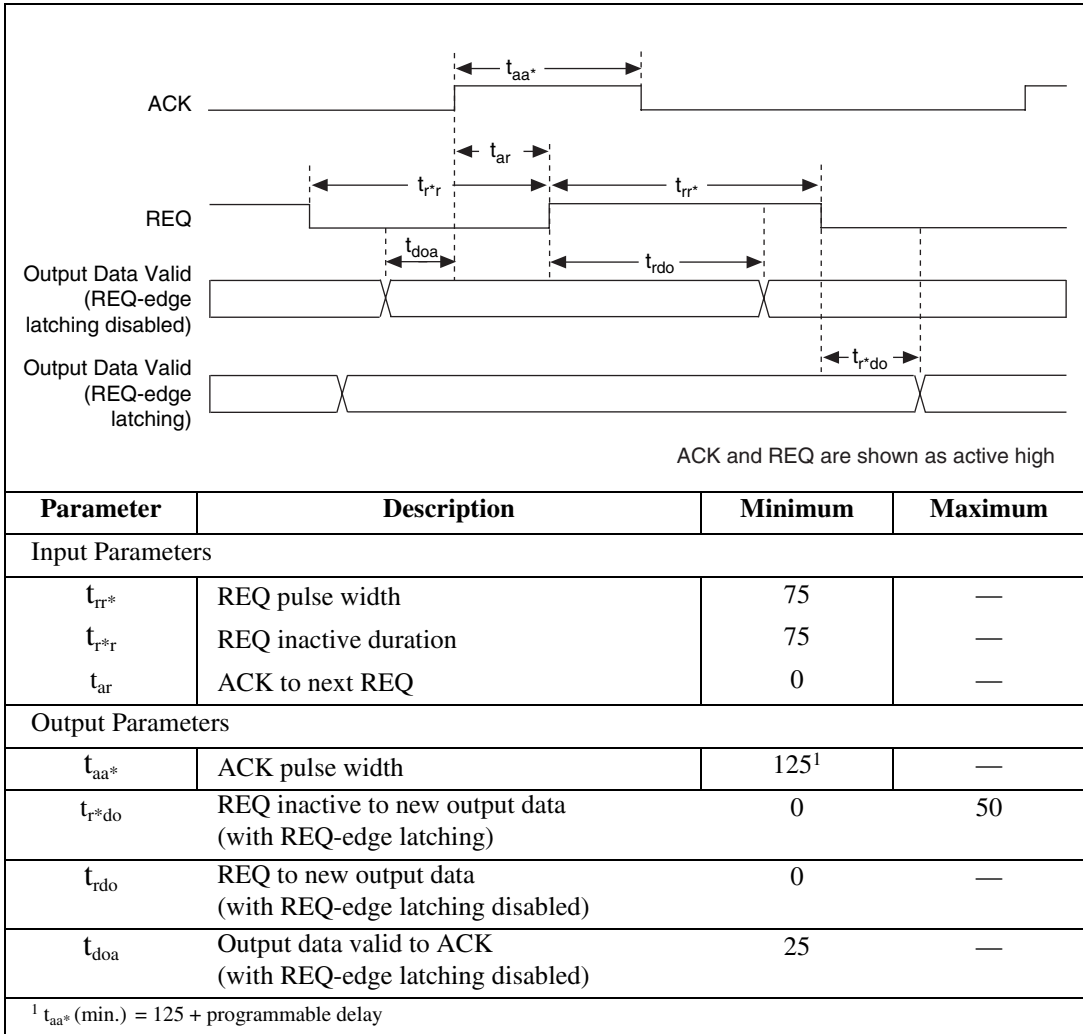


Figure 3-37. Long Pulse Output Timing Diagram



Note With REQ edge latching disabled (default), output data valid will hold t_{rdo} ns after the REQ edge with REQ edge latching enabled, that data will be held for at most t_{rdo} ns after the REQ edge deasserts.

Specifications

This appendix lists features and specifications for your 653X devices and the PCI/PXI-7030/6533 device. Specifications are typical at 25 °C unless otherwise noted.

Digital I/O

Number of channels 32 input/output;
 4 dedicated output and control;
 4 dedicated input and status

Compatibility TTL/CMOS (standard or
 wired-OR)

Hysteresis 500 mV

Digital logic levels

Level	Min	Max
Input low voltage	0 V	0.8 V
Input high voltage	2 V	5 V
Input low current for data lines ($V_{in} = 0.4$ V)		
DPULL high	—	-70 μ A
DPULL low	—	-10 μ A
Input high current for data lines ($V_{in} = 2.4$ V)		
DPULL high	—	10 μ A
DPULL low	—	40 μ A
Input low current for control lines ($V_{in} = 0.4$ V)		
CPULL high	—	-2.5 mA
CPULL low	—	-200 μ A

Level (Continued)	Min	Max
Input high current for control lines ($V_{in} = 2.4\text{ V}$) CPULL high CPULL low	— —	200 μA 1.4 mA
Input low current for CPULL/DPULL ($V_{in} = 0.4\text{ V}$)	—	4 μA
Input high current for CPULL/DPULL ($V_{in} = 2.4\text{ V}$)	—	140 μA
Output low voltage ($I_{OL} = 24\text{ mA}$)	—	0.4 V
Output high voltage* ($I_{OH} = 24\text{ mA}$)	2.4 V	—
* When configured as standard outputs. Drivers configured as wired-OR outputs are in the high-impedance state when logically high.		

Absolute max input voltage range-0.3 to 5 V

Power-on state for outputsHigh-impedance, pulled up or down (selectable)

Data transfers
(all devices except DAQCard).....Interrupt, DMA

Memory

AT-DIO-32HS	16 S
DAQCard-6533 for PCMCIA	16 S
PCI/PXI-6534	64 MB, two 32 MB modules on each 6534 device
PCI/PXI-7030/6533	16 S
PCI-DIO-32HS	16 S
PXI-6533	16 S

Pattern I/O

Direction..... Input or output

Maximum sample rate (internally
timed, for small transfers¹)..... 20 MHz

Minimum sample rate
(internal clock rate) 1 S/10 min.

Change Detection

Change-detection resolution 150 ns

Triggers

Start and Stop Triggers

Compatibility TTL/CMOS

Trigger types Rising or falling edge,
or digital pattern

Pulse width for edge triggers (min.)..... 10 ns

Pattern trigger detection
capabilities Detect pattern match or mismatch
on user-selected data lines

Pattern trigger resolution..... 60 ns or one REQ period,
depending on pattern I/O mode

RTSI Triggers (PCI, PXI, AT)

Trigger lines 7

Bus Interfaces

PCI-DIO-32HS/PXI-6533/

PCI-6534/PXI-6534/

AT-DIO-32HS type..... AT slave with dual DMA

DAQCard-6533 for PCMCIA type PCMCIA slave

¹ Small transfer size is the size of the FIFO.

Power Requirement

+5 VDC ($\pm 5\%$)
 (with light output load)500 mA

Power Available at I/O Connector

PCI-DIO-32HS, PXI-6533,
 AT-DIO-32HS,
 PCI-6534, and PXI-6534+4.65 to +5.25 VDC at 1 A

DAQCard-6533 for PCMCIA+4.65 to +5.25 VDC at 250 mA

Physical

Dimensions, not including connectors

DAQCard-6533 for PCMCIA3.4 by 2.1 in.
 AT-DIO-32HS/PCI-653X.....6.9 by 4.2 in.
 PXI-653X6.4 by 3.9 in.

I/O connector

PCI-DIO-32HS, PXI-6533,
 AT-DIO-32HS,
 PCI-6534, and PXI-653468-pin male SCSI-II type

DAQCard-6533 for PCMCIA68-pin female PCMCIA
 connector

Environment

Operating temperature0 to 55 °C

Storage temperature-20 to 70 °C

Relative humidity5 to 90% noncondensing

Functional shock.....MIL-T-28800 E Class 3
 (per Section 4.5.5.4.1)
 Half-sine shock pulse, 11 ms
 duration, 30 g peak, 30 shocks
 per face

Operational random vibration
 (PXI only)5 to 500 Hz, 0.31 g_{rms} , 3 axes

Nonoperational random vibration
(PXI only) 5 to 500 Hz, 2.5 g_{rms}, 3 axes



Note Random vibration profiles were developed in accordance with MIL-T-28800E and MIL-STD-810E Method 514. Test levels exceed those recommended in MIL-STD-810E for Category 1 (Basic Transportation, Figures 514.4-1 through 514.4-3).

Using PXI with CompactPCI

You can use your PXI-653X device as a plug-in device in a standard CompactPCI chassis, but you will not be able to access PXI-specific functions, such as RTSI bus features detailed in the *PXI Specification*, rev. 1.0.

The CompactPCI specification permits vendors to develop sub-buses that coexist with the basic PCI interface on the CompactPCI bus. Compatible operation is not guaranteed between CompactPCI devices with different sub-buses nor between CompactPCI devices with sub-buses and PXI. The standard implementation for CompactPCI does not include these sub-buses. Your PXI-653X device will work in any standard CompactPCI chassis adhering to the *PICMG CompactPCI 2.0 R2.1* document.

PXI-specific features are implemented on the J2 connector of the CompactPCI bus. The following table lists the J2 pins used by your PXI-653X device. Your PXI device is compatible with any CompactPCI chassis with a sub-bus that does not drive these lines. Even if the sub-bus is capable of driving these lines, the PXI device is still compatible as long as those pins on the sub-bus are disabled by default and not ever enabled.

Table B-1. J2 Pins Used by Your PXI-653X Device

PXI-653X Signal	PXI Pin Name	PXI J2 Pin Number
RTSI Trigger (0..6)	PXI Trigger (0..6)	B16, A16, A17, A18, B18, C18, E18
Reserved	PXI Star	D17
RTSI Clock	PXI Trigger (7)	E16
Reserved	LBR (7, 8, 10, 11, 12)	A3, C3, E3, A2, B2



Connecting Signals with Accessories

This appendix describes how to connect signals to your 653X device. Use the first part of the appendix to acquaint yourself with the device control signals. Then go to appropriate pinout diagrams (68 or 50-pin), which display the layout of pin locations.

Control Signals

Use the four control signals to regulate/control the timing of your data transfer when using the handshaking and pattern I/O modes. The direction and function of each signal varies, depending on the mode of operation, as shown in Table C-1.

Table C-1. Control Signals for Handshaking I/O and Pattern I/O

Signal Name	Handshaking I/O		Pattern I/O	
	Direction	Function	Direction	Function
REQ<1..2>	Input	Request—Indicates that the peripheral device is ready	Input or Output	Request— Clocks the data transfer
ACK<1..2> or STARTTRIG<1..2>	Output	Acknowledge— Indicates the 653X device is ready	Input	Start trigger
STOPTRIG<1..2>	N/A	N/A	Input	Stop trigger
PCLK<1..2>	Input or Output	Peripheral clock	N/A	N/A

Making 68-Pin Signal Connections



Caution Do *not* make connections that exceed any of the maximum input or output ratings on the 653X, listed in Appendix A, *Specifications*. This includes connecting any power signals to ground and vice versa. Doing so may damage your device and your computer. National Instruments is *not* liable for any damages resulting from these types of signal connections.

DIOD7	34	68	GND
GND	33	67	DIOD6
DIOD4	32	66	DIOD5
DIOD3	31	65	GND
GND	30	64	DIOD2
DIOD0	29	63	DIOD1
DIOC7	28	62	GND
GND	27	61	DIOC6
DIOC4	26	60	DIOC5
DIOC3	25	59	GND
GND	24	58	DIOC2
DIOC0	23	57	DIOC1
DIOB7	22	56	RGND
DIOB6	21	55	GND
GND	20	54	DIOB5
RGND	19	53	DIOB4
GND	18	52	DIOB3
DIOB1	17	51	DIOB2
DIOB0	16	50	GND
DIOA7	15	49	GND
GND	14	48	DIOA6
DIOA4	13	47	DIOA5
DIOA3	12	46	GND
GND	11	45	DIOA2
DIOA0	10	44	DIOA1
REQ2*	9	43	RGND
ACK2 (STARTTRIG2)*	8	42	GND
STOPTRIG2	7	41	GND
PCLK2	6	40	CPULL
PCLK1	5	39	GND
STOPTRIG1	4	38	DPULL
ACK1 (STARTTRIG1)*	3	37	GND
REQ1*	2	36	GND
+5 V	1	35	RGND

Figure C-1. 653X I/O Connector 68-Pin Assignments



Note In Figure C-1, the * indicates that you can reverse the pin assignments of the ACK1 (STARTTIG1) and REQ1 pins, or the ACK2 (STARTTIG2) and REQ2 pins. To do this, set the ACK-REQ Exchange attribute to **ON** in the DIO Parameter VI in LabVIEW or in `set_DAQ_Device_Info` in NI-DAQ. This allows you to perform handshaking I/O between two 653X devices using an SH-68-68-D1 cable.

Use Table C-2 to find the accessories designed for connecting signals to your 653X device.

Table C-2. 68-Pin Accessories

Device	Shielded Cable	Ribbon Cable	Cable Adapter
PCI/PXI/AT/ Compact PCI	SHC68-68-D1—female 68-pin SCXI connectors on both ends of the cable	N/A	N/A
DAQCard-6533 for PCMCIA	PSHR68-68-D1 and PSHR68-68M	PR68-68F	N/A

Signal Descriptions

Use Table C-3 to find the function for each signal, which is based on the mode and protocol you are using. All the signals on the 653X device are referenced to the GND lines.

Table C-3. Signal Descriptions

Pins	Signal Name	Signal Type	Signal Description Based on Mode Used
2, 9	REQ<1..2>	Control	<p>Group 1 and group 2 request lines</p> <p>Handshaking I/O—Request. A control line that indicates whether the peripheral device is ready to transfer data.</p> <p>Pattern I/O—REQ carries timing pulses either to or from the peripheral device. These strobe signals are comparable to the CONVERT* or UPDATE* signals of an analog DAQ device.</p> <p>Unstrobed I/O—Option to use REQ<1..2> as extra, general-purpose input lines (IN<3..4>).</p>
3, 8	ACK<1..2> STARTTRIG <1..2>	Control	<p>Group 1 and group 2 acknowledge lines</p> <p>Handshaking I/O—Acknowledge, a control line that indicates whether the 653X device is ready to transfer data.</p> <p>Pattern I/O—Used as a start trigger (STARTTRIG<1..2>) line. You can start pattern I/O operations upon the rising or falling edge of a signal on these lines.</p> <p>Unstrobed I/O—Option to use the ACK<1..2> lines as extra, general-purpose output lines (OUT<3..4>).</p>
4, 7	STOPTRIG <1..2>	Control	<p>Group 1 and group 2 stop triggers</p> <p>Handshaking I/O—Not used.</p> <p>Pattern I/O—Used in trigger operations as stop trigger. You can end pattern I/O operations upon the rising or falling edge on these lines.</p> <p>Unstrobed I/O—Option to use the STOPTRIG<1..2> lines as extra, general-purpose input lines (IN<1..2>).</p>
5–6	PCLK<1..2>	Control	<p>Group 1 and group 2 peripheral clock lines</p> <p>Handshaking I/O (Burst Mode)—The only handshaking mode that utilizes these signals. By default, PCLK is an output during an input operation and an input during an output operation. PCLK direction is programmable</p> <p>Pattern I/O—Not used.</p> <p>Unstrobed I/O—Option to use the PCLK<1..2> lines as extra, general-purpose output lines (OUT<1..2>).</p>
10, 44–45, 12–13, 47–48, 15	DIOA<0..7>	Data	<p>Port A bidirectional data lines</p> <p>Port A is referred to as port number 0 in software. DIOA7 is the MSB; DIOA0 is the LSB.</p>
16–17, 21–22, 51–54	DIOB<0..7>	Data	<p>Port B bidirectional data lines</p> <p>Port B is referred to as port number 1 in software. DIOB7 is the MSB; DIOB0 is the LSB.</p>

Table C-3. Signal Descriptions (Continued)

Pins	Signal Name	Signal Type	Signal Description Based on Mode Used
23, 57–58, 25–26, 60–61, 28	DIOC<0..7>	Data	Port C bidirectional data lines Port C is referred to as port number 2 in software. DIOC7 is the MSB; DIOC0 is the LSB.
29, 31–32, 34, 63–64, 66–67	DIOD<0..7>	Data	Port D bidirectional data lines Port D is referred to as port number 3 in software. DIOD7 is the MSB; DIOD0 is the LSB.
40	CPULL	Bias Selection	Control pull-up/pull-down selection Input signal that selects whether the 653X device pulls the timing and handshaking control lines (REQ, ACK, PCLK, and STOPTRIG) up or down when undriven. If you connect CPULL to +5 V on the external terminal connector, the 653X device pulls the control lines up. If you connect CPULL to GND or leave CPULL unconnected, the 653X device pulls the control lines down. See power on state the <i>Power-On State</i> section in Appendix D, <i>Hardware Considerations</i> , for more information.
38	DPULL	Bias Selection	Data pull-up/pull-down selection Input signal that selects whether the 653X device pulls the data lines (DIOA, DIOB, DIOC, and DIOD) up or down when undriven. If you connect DPULL to +5 V on the external terminal connector, the 653X device pulls the data lines up. If you connect DPULL to GND or leave DPULL unconnected, the 653X device pulls the data lines down. See power on state the <i>Power-On State</i> section in Appendix D, <i>Hardware Considerations</i> , for more information.
1	+5 V	Power	5 V output Line that provides a maximum of 1 A of power. This line is protected by an onboard fuse that shuts off power when there is too much current and automatically resets itself after current returns to normal.
11, 14, 18, 20, 24, 27, 30, 36–37, 39, 41–42, 46, 49–50, 55, 59, 62, 65, 68	GND	Power	Ground These lines are the ground reference for all other signals.
19, 35, 43, 56	RGND	Power	Reserved ground These lines offer additional ground pins. If you are using an R6868 ribbon cable for example, these lines can be used as additional ground references. If you are using an SH68-68-D1, however, these signals are not connected.

Making 50-Pin Signal Connections

DIOD1	1	2	DIOD4
DIOD3	3	4	DIOD0
DIOD6	5	6	DIOD7
DIOD2	7	8	DIOD5
DIOC5	9	10	DIOC7
DIOC3	11	12	DIOC1
DIOC2	13	14	DIOC0
DIOC6	15	16	DIOC4
GND	17	18	ACK2
GND	19	20	STOPTRIG2 (IN2)
GND	21	22	PCLK2 (OUT2)
GND	23	24	REQ2
GND	25	26	GND
ACK1	27	28	GND
STOPTRIG1 (IN1)	29	30	GND
PCLK1 (OUT1)	31	32	GND
REQ1	33	34	GND
DIOA4	35	36	DIOA6
DIOA0	37	38	DIOA2
DIOA1	39	40	DIOA3
DIOA7	41	42	DIOA5
DIOD5	43	44	DIOD2
DIOD7	45	46	DIOD6
DIOD0	47	48	DIOD3
DIOD4	49	50	DIOD1

Figure C-2. 68-to-50-Pin Adapter Pin Assignments

Use Table C-4 to find the accessories designed to connect to your 653X device.

Table C-4. 50-Pin Accessories

Device	Shielded Cable	Ribbon Cable	Cable Adapter
PCI-6534 PCI-DIO-32HS AT-DIO-32HS	SH68-68-D1	R6868	R6850-D1 (Converts 68 pin to 50 pin)
PXI-6534 PXI-6533	SH68-68-D1	R6868	R6850-D1 (Converts 68 pin to 50 pin)
DAQCard-6533 for PCMCIA	PSHR68-68M	N/A	R6850-D1 (Converts 68 pin to 50 pin)

To use your 653X device with cables, signal conditioning modules, and other accessories that require an AT-DIO-32F pinout, use the R6850-D1, an optional 68-to-50-pin device adapter. Using a PSHR68-68M shielded cable, you can also connect the adapter to a DAQCard 6533 device.

The female side of the R6850-D1 adapter connects directly to the 653X device or PSHR68-68M cable. The male side of the adapter provides the pin assignments shown in Figure C-2. The 50-pin adapter has no +5 V, CPULL, or DPULL pins.

Optional Equipment for Connecting Signals

National Instruments offers a variety of accessories to extend your 653X device capabilities, including:

- Cables and cable assemblies, shielded and ribbon
- Connector blocks, shielded and unshielded 50 and 68-pin screw terminals
- RTSI bus cables for AT and PCI devices
- SCXI modules and accessories that can acquire up to 3072 channels, and that can isolate, amplify, excite, and multiplex signals for relays and analog output
- Low channel-count signal conditioning modules, devices, and accessories, including conditioning for strain gauges and RTDs, simultaneous sample and hold, relays, and optical isolation

For more information about these products, refer to your National Instruments catalog, Website, or call the office nearest you.

Hardware Considerations

This appendix covers several hardware considerations for your 653X device. As an advanced user, you can use these sections to understand how the hardware works in your 653X device.

Block Diagrams

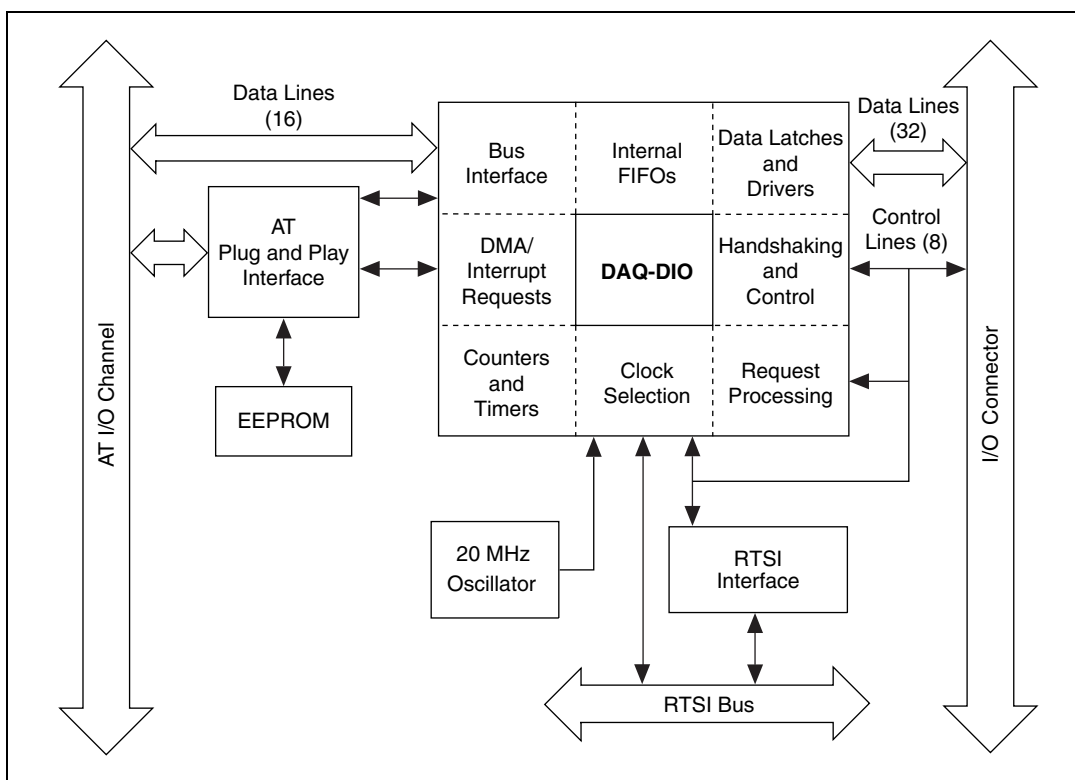


Figure D-1. AT-DIO-32HS Block Diagram

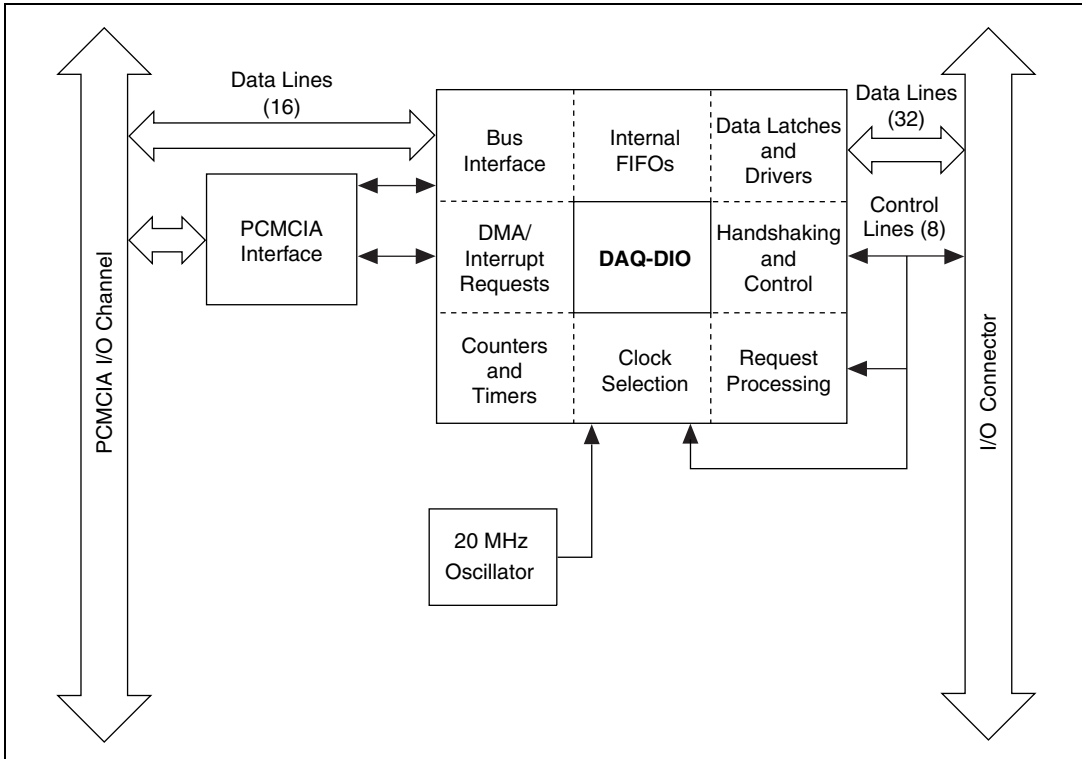


Figure D-2. DAQCard-6533 for PCMCIA Block Diagram

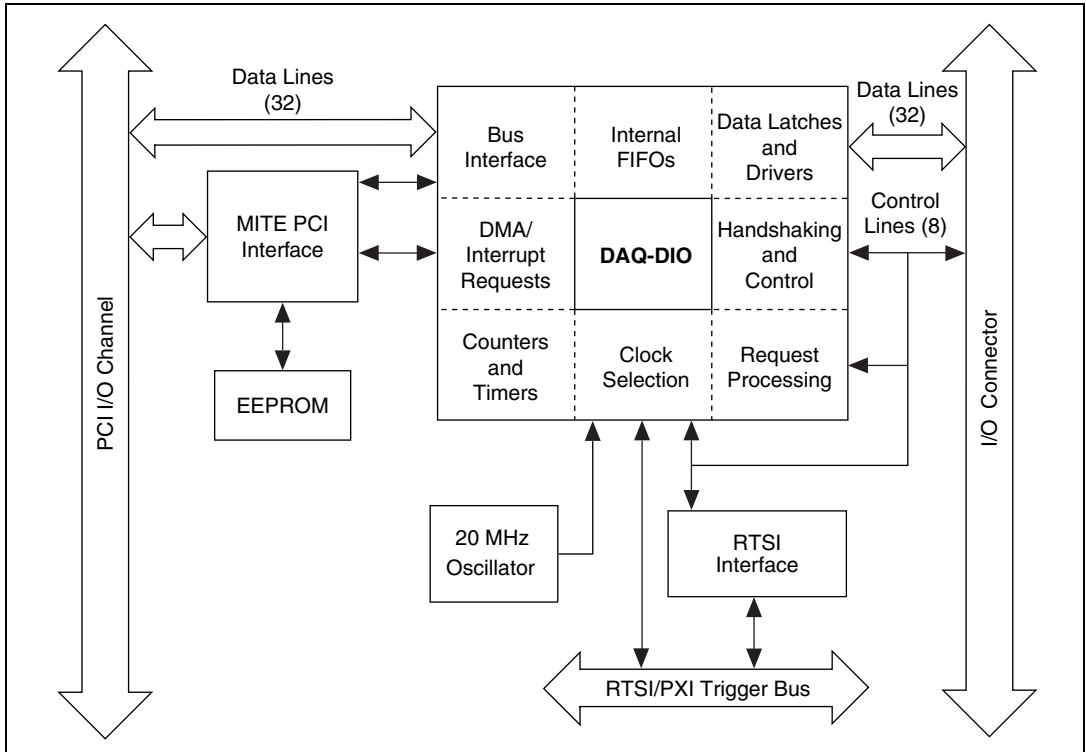


Figure D-3. PCI-DIO-32HS, PCI/PXI-7030/6533, and PXI-6533 Block Diagram

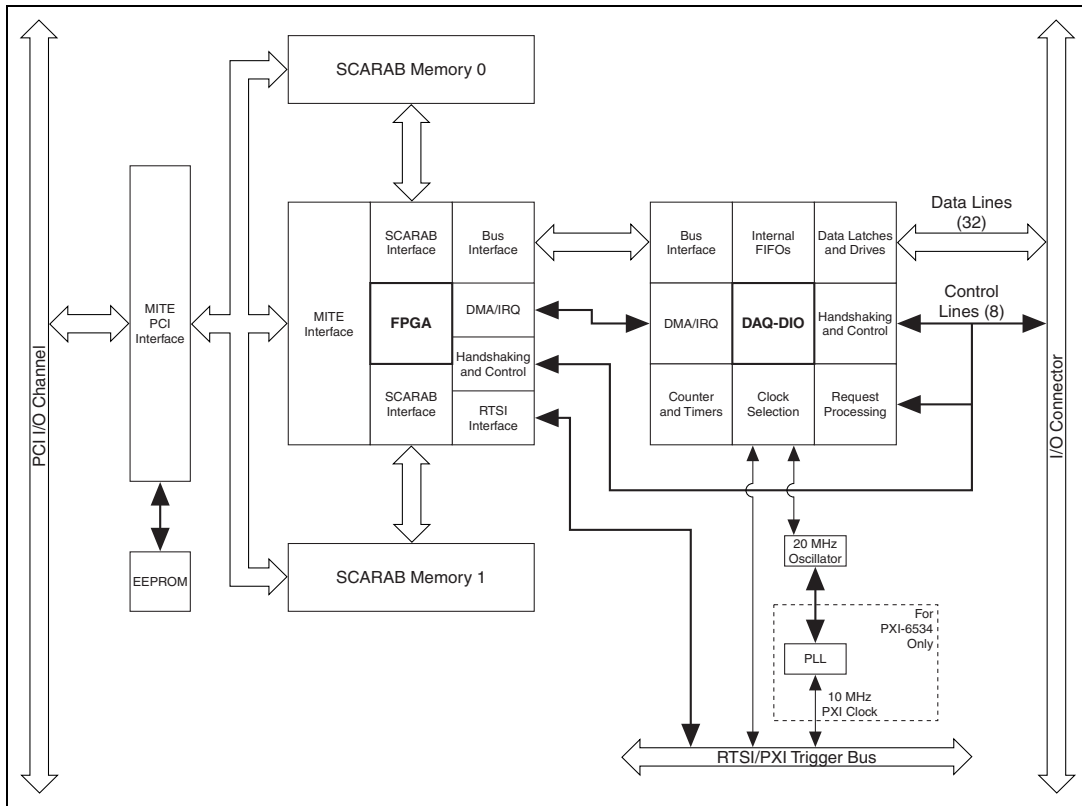


Figure D-4. PCI/PXI-6534 Block Diagram

Power-On State

When the computer is first turned on, all lines are configured for input and in the high-impedance state. By default, the data and control lines in the 653X device are pulled down, even if the CPULL and DPULL are disconnected. You can select the biasing of control and data signals using the CPULL and DPULL lines:

- CPULL line—For control lines, it is a user-configurable 2.2 k Ω internal resistor. You can connect the line to +5 VDC (*pull up*) or connect the line to ground (*pull down*).
- DPULL line—For data lines, it is a user-configurable 100 k Ω internal resistor. You can connect the line to +5 VDC (*pull up*) or connect the line to ground (*pull down*).



Caution Do *not* connect CPULL, DPULL, or any other line directly to an external power supply while the 653X device is powered off. Doing this may prevent your computer from booting.

For example, if you are using active-low handshaking signals, you can connect the CPULL line to +5 V to place the handshaking lines in the high, inactive state at power up.

Power Connections

The +5 V pin on the I/O connector supplies power from the computer power supply through a self-resetting fuse. The fuse resets automatically within a few seconds after removal of an overcurrent condition. The power pin is referenced to the GND pins and can supply power to external digital circuitry. The power ratings for the +5 V pin for the various 653X devices are shown in Table D-1.

Table D-1. 653X Power Ratings

Device	Power Rating
PCI-DIO-32HS	+4.65 to +5.25 VDC at 1 A
PXI-6533	
AT-DIO-32HS	
DAQCard-6533 for PCMCIA	+4.65 to +5.25 VDC at 250 mA

Table D-1. 653X Power Ratings (Continued)

Device	Power Rating
PCI-6534	+4.65 to +5.25 VDC at 1 A
PXI-6534	+4.65 to 5.25 VDC at 250 mA

You can connect the +5 V pin to the CPULL and DPULL pins to control the bias of the 653X device control and data lines, as described in the [Power-On State](#) section earlier in this chapter.



Caution Do *not* connect the +5 V power pin directly to the GND, RGND, or any output pin of the 653X device or any voltage source or output pin on another device. Doing so can damage the device and the computer. National Instruments is *not* liable for damage resulting from such a connection.

Selecting and Terminating Cables

It is important to select an appropriate cable and to properly terminate it to avoid undershoots, overshoots, and reflections. The SH6868-D1 is a twisted-pair cable. Each signal conductor is twisted with a ground conductor that establishes a low-inductance uniform transmission line. For more information about this cable and other accessories, see Appendix C, [Connecting Signals with Accessories](#).



Tip Cables that do not meet the above requirements, such as ordinary ribbon cables, should only be used for short distances and for applications where signal reflections are not a concern, because they cannot be properly terminated.

Without termination, any sharp transition in a signal can lead to overshooting above 5 V, undershooting below 0 V, or false edges due to reflections (“ringing”). Proper termination is recommended for low-speed transfers as well as high-speed devices like your 653X device. It is so crucial to terminate the cable properly with a high-speed device because there are more transitions per unit time, sharper signal edges, and input lines that may respond to false edges resulting from reflection.

Using the Schottky-Diode Termination Scheme

You can terminate a cable that acts as a uniform transmission line in several ways. If your 653X device is driving a cable, use the following termination scheme: connect two Schottky diodes to each line, one to +5 VDC and the other to ground. This termination will clamp any overshoot or undershoot that occurs. The +5 V and ground connections should be low-impedance connections. For example, if you make your +5 V connection through a long wire, back to the +5 V pin of the 653X device, add a capacitor to your termination circuit to stabilize the +5 V connection near the Schottky diodes.

One suitable Schottky diode is the 1N5711, available from several manufacturers. For more specialized use, you may be able to find diodes packaged in higher densities appropriate to your application. For example, the Central Semiconductor CMPSH-35 contains two diodes, suitable for terminating one line. The California Micro Devices PDN001 contains 32 diodes, suitable for terminating 16 lines.

You do not need to add diodes to terminate the input signals. The 653X device contains onboard Schottky diode termination. Figure D-5 illustrates transmission line terminations.

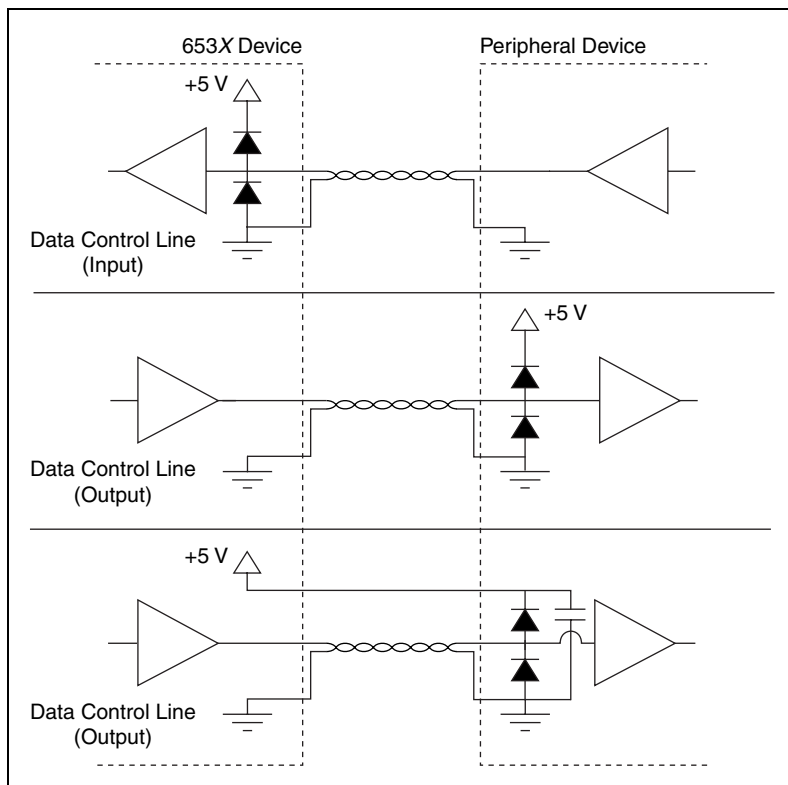


Figure D-5. Transmission Line Terminations



Note Run the signal lines through special metal conduits to protect them from magnetic fields caused by electric motors, welding equipment, breakers, or transformers.

If you are using the Schottky diode termination scheme, you do not need to know the exact input, output, or cable impedances. National Instruments does not specify the source or input impedance or slew rate of the 653X device or the characteristic impedance of the SH6868-D1 cable. However, the following information might be helpful:

- I/O buffers—The DIO-32HS uses 24 mA rate-controlled TTL-level CMOS drivers that provide a low output impedance ($<20\ \Omega$ typical) and a high input impedance (limited by the onboard bias resistors of $2.2\ \text{k}\Omega$ for control lines and $100\ \Omega$ for data lines).
- Slew rate—The rate-controlled outputs have been deliberately slowed to reduce termination difficulties. Rise or fall time depends on load, but 2.75 to 4.5 ns is typical.

There is no specific cutoff frequency at which termination becomes necessary.



Note A purely resistive termination scheme is not recommended because of the current drawn by the termination resistors. For example, a 90 Ω terminating resistor works well to dampen reflections, but sinks 27 mA even at 2.4 V. The DIO-32HS is only rated to sink 24 mA.

Follow these signal-conditioning recommendations for optimum use:

- Separate 653X device signal lines from high-current or high-voltage lines. These lines are capable of inducing currents in or voltages on the 653X device signal lines if they run in parallel paths at a close distance. To reduce the magnetic coupling between lines, separate them by a reasonable distance if they run in parallel, or run the lines at right angles to each other.
- Do not run signal lines through conduits that also contain power lines.

How Much Current Can I Sink or Source?

Make sure the sink current does not exceed 24 mA at 0.4 V to guarantee that TTL low voltage specifications are met. The sink current is the amount of current that flows into the 653X device when it asserts a TTL low signal (often denoted by I_{out} or I_{ol} under *Output Low Voltage* specification).

Also, it is important to make sure the source current does not exceed -24 mA at 2.4 V to guarantee TTL high voltage specifications. The source current is the amount of current that flows out of the 653X device when it asserts a TTL high signal (often denoted by I_{out} or I_{oh} under output high voltage specification).



Note Most National Instruments digital I/O products have similar source and sink currents.

Table D-2. Sink and Source Current for the 653X Devices

Sink Current	Source Current
24 mA at 0.4 V	-24 mA at 2.4 V



Note If you are using the DAQCard-6533 for PCMCIA, your PCMCIA socket may not provide sufficient power to drive all outputs at 24 mA.

RTSI and PXI Trigger Bus Interfaces

You can use the seven bidirectional RTSI lines on the RTSI bus to share signals between devices. Use the RTSI bus interface to synchronize multiple cards or change control signals with multiple devices.

The PCI-6534, PCI-DIO-32HS and AT-DIO-32HS each contain a RTSI connector and an interface to the National Instruments RTSI bus. The RTSI bus provides seven trigger lines and a system clock line. All National Instruments AT- and PCI-bus devices that have RTSI bus connectors can be cabled together inside a computer to share these signals.

The PXI-653X uses pins on the PXI J2 connector to connect the RTSI bus to the PXI trigger bus as defined in the *PXI Specification, rev. 1.0*. All National Instruments PXI modules that provide a connection to these pins can be connected together by software. This feature is available only when the PXI-653X is used in a PXI-compatible chassis. It is not supported in CompactPCI chassis.

Board, RTSI, and PXI Bus Clocks

The 653X device requires a clock to run the handshaking logic and to generate sampling intervals for pattern I/O. The frequency timebase must be 20 MHz.

The 653X device can use its internal 20 MHz clock source, or you can provide a clock from another 20 MHz device over the RTSI bus. When using its internal 20 MHz clock, the 653X device can also drive its internal timebase onto the bus and to another device that uses a 20 MHz clock.

Whether internal or external, the 20 MHz clock serves as the primary frequency source for the 653X device. By default, the 653X device uses an internal clock. You can programmatically change the source of the clock through software.

- ◆ PXI-6533—The PXI-6533 uses PXI trigger line 7 as the RTSI clock line.

RTSI and PXI Bus Triggers

The seven RTSI lines on the RTSI bus provide a very flexible interconnection scheme for any device sharing the RTSI or PXI-trigger bus. Any control signal on the device can connect to a RTSI or PXI-trigger bus line. You can drive output control signals onto the bus and receive input control signals from the bus. Figure D-6 shows the signal connection scheme.



Note If you configure a signal to be received from the RTSI bus, do not attach it to an external source. Also, do not configure the 653X device to generate that signal internally.

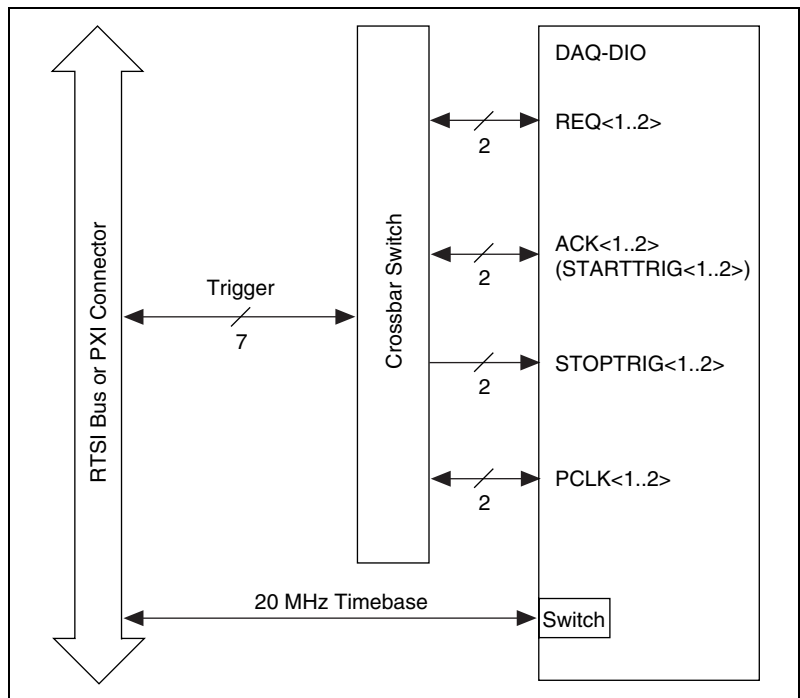


Figure D-6. RTSI Bus Signal Connection

Optimizing Your Transfer Rates

Use this appendix to determine the maximum transfer rate for your device, optimize transfer rates, and to see example benchmark results.

Determining the Maximum Transfer Rates

The maximum sustainable transfer rate a 653X device can achieve depends on the minimum available bus bandwidth and is based on your computer system. The maximum sustainable transfer rate also depends on the number of other devices generating bus cycles, your operating system, and your application software. The maximum sustainable transfer rate is always lower than the peak transfer rate.

The average bus bandwidth from highest to lowest is in the following order:

- PCI/PXI-6534
- PCI/PXI-6533
- AT-DIO-32HS
- DAQCard-6533 for PCMCIA

With the 6534 devices, if the data you are acquiring/generating fits in the onboard memory, the transfer rate is not limited by the bus bandwidth, only by the maximum transfer rate based on the protocol used. These rates are listed in Table E-1. The peak transfer rates are based on using a 1 meter cable.

Table E-1. Peak Transfer Rates Based on Mode and Protocol Used

Mode/Protocol	Peak Rate (MS/s)
Handshaking 8255	5
Handshaking Level-ACK	3.33
Handshaking Leading-Edge Pulse	3.33
Handshaking Long Pulse	3.33

Table E-1. Peak Transfer Rates Based on Mode and Protocol Used (Continued)

Mode/Protocol	Peak Rate (MS/s)
Handshaking Trailing-Edge Pulse	1.8
Handshaking Burst	20
Pattern I/O	20

Obtaining the Fastest Transfer Rates

To achieve the highest transfer rates possible, consider the following:

- Burst mode is the fastest handshaking protocol. You can further increase speed by using short cables.
- Minimize the number of other I/O devices active in the system. Your system bus should be as free as possible from unrelated activity.
- Use the 6534 devices, which have onboard memory. If you are using a 6533 device, you can connect it to an external FIFO using the burst handshaking protocol and clock data out of the FIFO to the peripheral device.
- Direct-memory access (DMA) transfers are faster than interrupt-driven transfers, especially for pattern I/O. Refer to Table E-2 to determine whether your device supports DMA transfers. If DMA transfers are available, the software will use it by default.

Table E-2. Devices That Support Direct-Memory Access (DMA) Transfers

Device	Direct-Memory Access
AT-DIO-32HS	Supported if system DMA resources available. If you are using two DMA channels, data transfer is faster.
DAQCard-6533 for PCMCIA	Not supported
PCI-DIO-32HS PCI-6534	Supported
PXI-6533 PXI-6534	Supported if device is in a peripheral slot that allows bus arbitration (bus mastering). Otherwise, use software to select interrupt-driven transfers. PXI chassis have bus arbitration for all slots.

Interpreting Benchmark Results

Use benchmark results to get a general idea of what transfer rates to expect for an application. Since these results are system dependent, they are not to be used as specifications. View latest results on our website, ni.com

Benchmark results are in megasamples per second and sample size is user defined. For example, if you are performing an eight-bit operation, then sample size is one byte. Sixteen bits is two bytes and 32 bits is four bytes.

To convert from MS/s to MB/s, use the following formula:

$$\frac{MS}{s} \times \frac{\text{sample size (B)}}{1S} = \frac{MB}{s}$$

where *sample size* can be one, two, or four bytes.

For example, 10 MS/s, where each sample is 16 bits or two bytes:

$$\frac{10MS}{s} \times \frac{2 \text{ bytes}}{1S} = \frac{20MB}{s}$$

The following applications were tested:

- Single Shot (pattern I/O and burst protocol)—One buffer of data is transferred one time.
- Continuous Retransmit Output (pattern I/O and burst protocol)—One buffer of data is loaded into memory one time, and outputted over and over again.
- Continuous Input (pattern I/O and burst protocol)—New data is continually inputted into the application software.

AT-DIO-32HS

The following benchmarks are results using a Dell Dimension XPS, 600 MHz, PIII, and Windows 98 SE.

Table E-3. AT-DIO-32HS Benchmark Results

Mode		Benchmark Rate (MS/s)		
		8 Bit	16 Bit	32 Bit
Pattern I/O– Single Shot	Input	1.67	.87	.83
	Output	1.47	.74	.38
Pattern I/O– Continuous	Input	1.67	.80	.31
Pattern I/O– Continuous Retransmit	Output	1.43	.67	.39
Burst Protocol– Continuous	Input	1.74	.87	.43
Burst Protocol– Continuous Retransmit	Output	1.51	.76	.37

PCI-DIO-32HS

The following benchmarks are results using a Gateway 550 MHz PIII, 128 MB RAM, and Windows 98 SE.

Table E-4. PCI-DIO-32HS Benchmark Results

Mode		Benchmark Rate (MS/s)		
		8 Bit	16 Bit	32 Bit
Pattern I/O– Single Shot	Input	10	5	5
	Output	4	2.2	1.81
Pattern I/O– Continuous	Input	10	5	3.33

Table E-4. PCI-DIO-32HS Benchmark Results (Continued)

Mode		Benchmark Rate (MS/s)		
		8 Bit	16 Bit	32 Bit
Pattern I/O– Continuous Retransmit	Output	4	1.81	1.81
Burst Protocol– Continuous	Input	19.93	19.6	19.05
Burst Protocol– Continuous Retransmit	Output	19.92	19.58	18.54

PXI-6533

The following benchmarks are results using a PXI-8170, 450 MHz PIII, and Windows 98.

Table E-5. PXI-6533 Benchmark Results

Mode		Benchmark Rate (MS/s)		
		8 Bit	16 Bit	32 Bit
Pattern I/O– Single Shot	Input	10	6.67	5
	Output	5	2.5	2.5
Pattern I/O– Continuous	Input	10	5	3.33
Pattern I/O– Continuous Retransmit	Output	4	2.5	2.22
Burst Protocol– Continuous	Input	19.94	19.63	19.47
Burst Protocol– Continuous Retransmit	Output	19.75	18.09	9.15

DAQCard-6533 for PCMCIA

The following benchmarks are results using a PXI-8170, 450 MHz PIII, and Windows 98.

Table E-6. DAQCard-6533 for PCMCIA Benchmark Results

Mode		Benchmark Rate (MS/s)		
		8 Bit	16 Bit	32 Bit
Pattern I/O– Single Shot	Input	0.12	.11	.10
	Output	0.12	.12	.10
Pattern I/O– Continuous	Input	0.12	.11	.10
Pattern I/O– Continuous Retransmit	Output	0.12	.12	.10
Burst Protocol– Continuous	Input	0.24	.24	.19
Burst Protocol– Continuous Retransmit	Output	0.24	.24	.19

PCI-6534

The following benchmarks are results using a Dell Dimension XPS T600r, 600 MHz PIII, 128 MB RAM, and Windows 98 SE.

Table E-7. PCI-6534 Benchmark Results

Mode		Benchmark Rate (MS/s)		
		8 Bit	16 Bit	32 Bit
Pattern I/O– Single Shot*	Input	20	20	20
	Output	20	20	20
Pattern I/O– Continuous Retransmit	Output	20	20	20

Table E-7. PCI-6534 Benchmark Results (Continued)

Mode		Benchmark Rate (MS/s)		
		8 Bit	16 Bit	32 Bit
Burst Protocol– Single Shot*	Input	20	20	20
	Output	20	20	20
Burst Protocol– Continuous Retransmit**	Output	20	20	20
* Benchmarks made using buffer size \leq onboard memory. ** Benchmarks made using buffer retransmitted \leq onboard memory.				

PXI-6534

The following benchmarks are results using a PXI-8170, 450 MHz PIII, and Windows 98.

Table E-8. PXI-6534 Benchmark Results

Mode		Benchmark Rate (MS/s)		
		8 Bit	16 Bit	32 Bit
Pattern I/O– Single Shot*	Input	20	20	20
	Output	20	20	20
Pattern I/O– Continuous Retransmit	Output	20	20	20
Burst Protocol– Single Shot*	Input	20	20	20
	Output	20	20	20
Burst Protocol– Continuous Retransmit**	Output	20	20	20
* Benchmarks made using buffer size \leq onboard memory. ** Benchmarks made using buffer retransmitted \leq onboard memory.				

PCI-7030/6533 with LabVIEW RT

The following benchmarks are results using a 133 MHz AMD 486DX5 class processor, and the real-time operating system running on LabVIEW RT.

Table E-9. PCI-7030/6533 Benchmark Results

Mode		Benchmark Rate (MS/s)		
		8 Bit	16 Bit	32 Bit
Pattern I/O– Single Shot	Input	1.82	.95	.49
	Output	1.82	.91	.47
Pattern I/O– Continuous	Input	1.67	.87	.48
Pattern I/O– Continuous Retransmit	Output	1.25	.65	.48
Burst Protocol– Continuous	Input	2.04	1.02	.49
	Output	1.99	.95	.48

PXI-6533 with LabVIEW RT

The following benchmarks are results using a PXI-8170, 450 MHz PIII, and the real-time operating system running on LabVIEW RT.

Table E-10. PCI-7030/6533 Benchmark Results

Mode		Benchmark Rate (MS/s)		
		8 Bit	16 Bit	32 Bit
Pattern I/O– Single Shot	Input	10	10	6.67
	Output	10	6.67	4
Pattern I/O– Continuous	Input	2.50	1.54	1.43
	Output	2	1	1

Table E-10. PCI-7030/6533 Benchmark Results (Continued)

Mode		Benchmark Rate (MS/s)		
		8 Bit	16 Bit	32 Bit
Pattern I/O– Continuous Retransmit	Output	2.50	1.25	1.25
Burst Protocol– Continuous	Input	19.98	19.97	19.97
	Output	19.97	17.72	8.60

Technical Support Resources

Web Support

National Instruments Web support is your first stop for help in solving installation, configuration, and application problems and questions. Online problem-solving and diagnostic resources include frequently asked questions, knowledge bases, product-specific troubleshooting wizards, manuals, drivers, software updates, and more. Web support is available through the Technical Support section of ni.com

NI Developer Zone

The NI Developer Zone at ni.com/zone is the essential resource for building measurement and automation systems. At the NI Developer Zone, you can easily access the latest example programs, system configurators, tutorials, technical news, as well as a community of developers ready to share their own techniques.

Customer Education

National Instruments provides a number of alternatives to satisfy your training needs, from self-paced tutorials, videos, and interactive CDs to instructor-led hands-on courses at locations around the world. Visit the Customer Education section of ni.com for online course schedules, syllabi, training centers, and class registration.

System Integration

If you have time constraints, limited in-house technical resources, or other dilemmas, you may prefer to employ consulting or system integration services. You can rely on the expertise available through our worldwide network of Alliance Program members. To find out more about our Alliance system integration solutions, visit the System Integration section of ni.com

Worldwide Support

National Instruments has offices located around the world to help address your support needs. You can access our branch office Web sites from the Worldwide Offices section of ni.com. Branch office web sites provide up-to-date contact information, support phone numbers, e-mail addresses, and current events.

If you have searched the technical support resources on our Web site and still cannot find the answers you need, contact your local office or National Instruments corporate. Phone numbers for our worldwide offices are listed at the front of this manual.

Glossary

Prefix	Meaning	Value
k-	kilo-	10^3
μ -	micro-	10^{-6}
m-	milli-	10^{-3}
M-	mega-	10^6
n-	nano-	10^{-9}

Numbers/Symbols

°	degrees
-	negative of, or minus
<	less than
>	greater than
≤	less than or equal to
≥	greater than or equal to
Ω	ohms
/	per
%	percent
±	plus or minus
+	positive of, or plus
+5 V (signal)	+5 VDC source signal

A

A	amps
ACK	acknowledge—handshaking signal driven by the 653X device, indicating that it is ready to transfer data
ADE	Application Development Environment
API	Application Programming Interface—a standardized set of subroutines or functions along with the parameters that a program can call
asynchronous	For hardware, it is a property of an event that occurs at an arbitrary time, without synchronization to a reference clock. In software, it is the property of a function that begins an operation and returns prior to the completion or termination of the operation.

B

b	bits
B	bytes
bidirectional data lines	data lines that can be programmatically configured as input or output
buffer	temporary storage for acquired or generated data (software)
bus	The group of conductors that interconnect individual circuitry in a computer. Typically, a bus is the expansion vehicle to which I/O or other devices are connected.

C

cache	high-speed processor memory that buffers commonly used instructions or data to increase processing throughput
clock	hardware component that controls timing for reading from or writing to groups
CH	channel

channel	Pin or wire lead to which you apply or from which you read the analog or digital signal. For digital signals, you group channels to form ports. Ports usually consist of either four or eight digital channels.
CompactPCI	core specification defined by the PCI Industrial Computer Manufacturer's Group (PICMG)
compiler	A software utility that converts a source program in a high-level programming language, such as LabVIEW, Basic, C or Pascal, into an object or compiled program in machine language. Compiled programs run 10 to 1,000 times faster than interpreted programs. Some languages, such as Java, are compiled to an intermediate language that is interpreted at run time.
control signals	Signals that regulate/control the timing of your data transfer in handshaking I/O and pattern I/O. There are four control signals in your 653X device: ACK (STARTTRIG), REQ, STOPTRIG, and PCLK.
counter/timer	a circuit that counts external pulses or clock pulses (timing)
CPULL	A user-configurable 2.2 k Ω internal resistor for control lines. You can connect the line to +5 VDC (<i>pull up</i>) or connect the line to ground (<i>pull down</i>).
current sinking	the ability to dissipate current for analog or digital signals
current sourcing	the ability to supply current for analog or digital signals

D

DAQ	Data Acquisition—Collecting and measuring electrical signals from sensors, transducers, and test probes or fixtures and inputting them to a computer for processing. Also refers to collecting and measuring the same kinds of electrical signals with analog-to-digital and/or digital devices plugged into a PC, and possibly generating control signals with digital-to-analog and/or digital devices in the same PC.
Data In Valid	data generated by peripheral device that is ready for input to the 653X device
DC	direct current

default setting	A default parameter value recorded in the driver. In many cases, the default input of a control is a certain value (often 0) that means <i>use the current default setting</i> .
device	A plug-in data acquisition board, card, or pad that can contain multiple channels and conversion devices. Plug-in boards, PCMCIA cards, and devices that connects to your computer parallel port, are all examples of DAQ devices.
DGND	digital ground
digital trigger	a TTL-level signal having two discrete levels—a high and a low level
DIO	Digital Input/Output
DMA	Direct Memory Access—a method by which data can be transferred to or from computer memory from or to a device or memory on the bus while the processor does something else. DMA is the fastest method of transferring data to or from computer memory.
DPULL	A user-configurable 100 k Ω internal resistor for data lines. You can connect the line to +5 VDC (<i>pull up</i>) or connect the line to ground (<i>pull down</i>).

F

FIFO	First-In First-Out memory buffer—the first data stored is the first data sent to the acceptor. FIFOs are often used on DAQ devices to temporarily store incoming or outgoing data until that data can be retrieved or output. For example, an analog input FIFO stores the results of A/D conversions until the data can be retrieved into system memory, a process that requires the servicing of interrupts and often the programming of the DMA controller. This process can take several milliseconds in some cases. During this time, data accumulates in the FIFO for future retrieval. With a larger FIFO, longer latencies can be tolerated. In the case of analog output, a FIFO permits faster update rates, because the waveform data can be stored on the FIFO ahead of time. This again reduces the effect of latencies associated with getting the data from system memory to the DAQ device.
function	a set of software instructions executed by a single line of code that may have input and/or output parameters and returns a value when executed

G

group A collection of one, two, or four ports and an associated timing controller. All buffered operations must be performed on groups.

H

handshaking I/O Data-transfer mode in which the 653X device engages in a two-way communication with the peripheral device. The 653X asserts a signal, ACK, when it is ready for a data transfer and the peripheral device asserts a separate signal, REQ, when it is ready for a data transfer. Data is transferred only when both the 653X and the peripheral device are ready.

I

interrupt a computer signal indicating that the CPU should suspend its current task to service a designated activity

I/O Input/Output—a transfer of data to/from a computer system involving communications channels, operator interface devices, and/or data acquisition and control interfaces

K

k Kilo—the standard metric prefix for 1,000, or 10^3 , used with units of measure such as volts, hertz, and meters

L

line Individual digital bit

LSB Least significant bit

low/high Refers to the active, or “on” state of handshaking I/O lines. For example, if ACK is *active low*, the 653X device is ready when its ACK line asserts (changes to) low.

M

M	Mega—the standard metric prefix for 1 million or 10^6 , when used with units of measure such as volts and hertz
Measurement & Automation Explorer (MAX)	a controlled centralized configuration environment that allows you to configure all of your National Instruments DAQ, GPIB, IMAQ, IVI, Motion, VISA, and VXI devices
MB/s	A unit for data transfer that means one million or 10^6 bits per second
mask	the bits that are significant for pattern detection, also applies to change detection
MSB	Most Significant Bit

P

pattern I/O	Data-transfer mode in which 653X transfers data on the falling or rising edge of a TTL signal, typically at a constant rate
PCI	Peripheral Component Interconnect—A high-performance expansion bus architecture originally developed by Intel to replace ISA and EISA. It has achieved widespread acceptance as a standard for PCs and workstations; it offers a theoretical maximum transfer rate of 132 MB/s.
PCLK	<i>see</i> control signals
PCMCIA	An expansion bus architecture that has found widespread acceptance as a de facto standard in notebook-sized computers. It originated as a specification for add-on memory cards written by the Personal Computer Memory Card International Association.
peripheral device	any external device connected to the 653X device that the 653X controls, monitors, tests, or communicates with
Plug and Play ISA	a specification prepared by Micorsoft, Intel, and other PC-related companies that will result in PCs with plug-in boards that can be fully configured in software, without jumpers or switches on the devices
port	a collection of lines, usually eight
posttrigger	acquiring data that occurs after a trigger

pretrigger	acquiring data that occurs before a trigger
propagation delay	the amount of time required for a signal to pass through a circuit
protocol	the exact sequence of bits, characters and control codes used to transfer data between computers and peripherals through a communications channel, such as the GPIB
PXI	PCI eXtensions for Instrumentation—a rugged, open system for modular instrumentation based on CompactPCI, with special mechanical, electrical, and software features

R

real time	a property of an event or system in which data is processed as it is acquired instead of being accumulated and processed at a later time
REQ	Request—Handshaking signal generated by the peripheral device, indicating it is ready. In some transfer modes, the 653X device can internally generate a REQ signal. The REQ signal with a bar above the name indicates it is an inverted request signal.
RGND	reserved ground
RT Series DAQ Device	A collection of one, two, or four ports and an associated timing controller. All handshaking I/O, pattern I/O and buffered operations must be performed on groups.
RTSI bus	Real-Time System Integration Bus—the National Instruments timing bus that connects DAQ devices directly, by means of connectors on top of the devices, for precise synchronization of functions

S

s	seconds
S	samples
S/s	Samples per second—used to express the rate at which a DAQ device samples an analog signal
sample	an instantaneous measurement of a signal, normally using an analog-to-digital convertor in a DAQ device

sample rate	the number of samples a system takes over a given time period, usually expressed in samples per second
software trigger	a programmed event that triggers an event such as data acquisition
STOPTRIG	<i>see</i> control signals
Strobed I/O	Any operation where every data transfer is timed by hardware signals. In the case of pattern I/O, this hardware signal is a clock edge. In the case of handshaking I/O, hardware signals involve two or three handshaking lines.
synchronous	For hardware, it is a property of an event that is synchronized to a reference clock. For software, it is a property of a function that begins an operation and returns only when the operation is complete.

T

transfer rate	the rate, measured in bytes/s, at which data is moved from source to destination after software initialization and set up operations; the maximum rate at which the hardware can operate
trigger	any event that causes or starts some form of data capture
TTL	Transistor-Transistor Logic

U

unstrobed I/O	Basic digital I/O operations that do not involve the use of control signals in data transfers. Unstrobed data transfers are controlled by software commands. Also known as <i>software-timed I/O</i> .
---------------	--

V

V	Volts
VI	Virtual Instrument—(1) a combination of hardware and/or software elements, typically used with a PC, that has the functionality of a classic stand-alone instrument (2) a LabVIEW software module (VI), which consists of a front panel user interface and a block diagram program
virtual channels	channel names that can be defined outside the application and used without having to perform scaling operations

W

wired-OR output driver that drives its output pin to 0 V for logic low, but tri-states the pin (puts the pin in the high-impedance state) for logic high

Index

Numbers

- +5 V signal, description (table), C-5
- 653X devices. *See also* hardware; specific device name.
 - configuring, 1-8 to 1-9
 - installing, 1-6 to 1-8
 - overview, 1-1 to 1-2
 - requirements for getting started, 1-2
 - software programming choices, 1-3 to 1-5
 - National Instruments application software, 1-3 to 1-4
 - NI-DAQ driver software, 1-4 to 1-5
 - unpacking, 1-5 to 1-6
- 8255-emulation handshaking protocol, 3-12 to 3-17
 - comparison of protocols (table), 3-4 to 3-5
 - input handshaking sequence (figure), 3-12 to 3-17
 - input state machine (figure), 3-14
 - maximum transfer rate (table), E-2
 - output handshaking sequence (figure), 3-15
 - output state machine (figure), 3-16
 - output timing diagram (figure), 3-17

A

- ACK protocol. *See* level-ACK handshaking protocol.
- ACK<1..2> signal
 - 8255-emulation protocol
 - input handshaking sequence (figure), 3-13
 - input state machine (figure), 3-14
 - output handshaking sequence (figure), 3-15
 - output state machine (figure), 3-16

- output timing diagram (figure), 3-17
- overview, 3-12 to 3-13
- burst input timing diagrams
 - default input timing diagram (figure), 3-8
 - PCLK reversed (figure), 3-10
 - transfer example (figure), 3-6
- burst output timing diagrams
 - output timing diagram (figure), 3-9
 - PCLK reversed (figure), 3-11
 - transfer example (figure), 3-6
- connecting signals
 - change detection, 2-31
 - handshaking I/O, 2-10 to 2-11
 - pattern I/O, 2-24
- description (table), C-4
- handshaking I/O and pattern I/O (table), C-1
- leading-edge protocol
 - input handshaking sequence (figure), 3-29
 - input state machine (figure), 3-30
 - input timing diagram (figure), 3-31
 - output handshaking sequence (figure), 3-32
 - output state machine (figure), 3-33
 - output timing diagram (figure), 3-34
- level-ACK protocol
 - input handshaking sequence (figure), 3-18
 - input state machine (figure), 3-19
 - input timing diagram (figure), 3-20
 - output handshaking sequence (figure), 3-21
 - output state machine (figure), 3-22
 - output timing diagram (figure), 3-23

- long-pulse protocol
 - input handshaking sequence (figure), 3-35
 - input state machine (figure), 3-36
 - input timing diagram (figure), 3-37
 - output handshaking sequence (figure), 3-38
 - output state machine (figure), 3-39
 - output timing diagram (figure), 3-40
- polarity for handshaking I/O
 - comparison of handshaking protocols (table), 3-4 to 3-5
 - controlling line polarity, 2-8
 - selecting polarity, 2-8
- start and stop trigger
 - change detection, 2-28 to 2-29
 - pattern I/O, 2-20
- start trigger
 - change detection, 2-28
 - pattern I/O, 2-19
- trailing-edge protocol
 - input handshaking sequence (figure), 3-25
 - input state machine (figure), 3-25
 - input timing diagram (figure), 3-26
 - output handshaking sequence (figure), 3-27
 - output state machine (figure), 3-27
 - output timing diagram (figure), 3-28
- applications, choosing correct mode for (table), 2-1
- asynchronous handshaking protocol, 3-12
- AT-DIO-32HS
 - benchmark results (table), E-4
 - block diagram, D-1
 - installation, 1-7 to 1-8
 - support for DMA transfers (table), E-2

B

- benchmark results. *See* optimizing transfer rates.
- block diagrams
 - AT-DIO-32HS, D-1
 - DAQCard-6533 for PCMCIA, D-2
 - PCI-DIO-32HS, PCI/PXI-7030/6533, and PXI-6533, D-3
 - PCI/PXI-6534, D-4
- burst handshaking protocol
 - comparison of protocols (table), 3-4 to 3-5
 - input timing diagrams, 3-5 to 3-11
 - default timing diagram (figure), 3-8
 - PCLK reversed (figure), 3-10
 - transfer example (figure), 3-6
 - maximum transfer rate (table), E-3
 - output timing diagrams, 3-5 to 3-11
 - default timing diagram (figure), 3-9
 - PCLK reversed (figure), 3-11
 - transfer example (figure), 3-6
 - overview, 2-7, 3-5
 - PCLK signal direction, 2-7 to 2-8
- bus interfaces
 - RTSI and PXI trigger bus interfaces, D-10 to D-11
 - specifications, A-3

C

- cable selection and termination, D-6 to D-9
 - Schottky-diode termination scheme, D-7 to D-9
 - transmission line terminations (figure), D-8
- change detection, 2-26 to 2-33
 - connecting signals, 2-31
 - continuous or finite data transfer, 2-30 to 2-31
 - continuous input, 2-30

- DMA or interrupt transfers, 2-31
- finite, 2-30
- overview, 2-26
- port and timing controller combinations (table), 2-26 to 2-27
- programming, 2-31 to 2-33
 - continuous change detection in NI-DAQ (figure), 2-32
 - LabVIEW/LabVIEW RT (figure), 2-33
 - single buffer change detection in NI-DAQ (figure), 2-32
- specifications, A-3
- specifying lines to monitor, 2-27
- triggering data transfer, 2-27 to 2-30
 - pattern-matching trigger, 2-29 to 2-30
 - start and stop trigger, 2-28 to 2-29
 - start trigger, 2-28
 - stop trigger, 2-28
- when to use (table), 2-1
- width of data to acquire, 2-26
- clocks, for RTSI and PXI trigger bus interfaces, D-10
- CompactPCI, using with PXI, B-1
- configuration, 653X devices
 - Mac OS, 1-9
 - Windows, 1-8 to 1-9
- connecting signals. *See* signal connections.
- continuous or finite data transfer
 - change detection, 2-30 to 2-31
 - continuous input, 2-30
 - DMA or interrupt transfers, 2-31
 - finite, 2-30
 - handshaking I/O, 2-9 to 2-10
 - continuous input, 2-9
 - continuous output, 2-9 to 2-10
 - DMA or interrupt transfers, 2-10
 - finite, 2-9
 - pattern I/O, 2-21 to 2-22
 - continuous input, 2-21 to 2-22

- continuous output, 2-22
- DMA or interrupt transfers, 2-22
- finite, 2-21
- control lines
 - Group1 and Group2 controllers, 1-1 to 1-2
 - handshaking I/O and pattern I/O (table), C-1
 - using as extra unstrobed data lines, 2-3 to 2-4
- CPULL signal
 - description (table), C-5
 - power-on state, D-5
- customer education, F-1

D

- DAQCard-6533 for PCMCIA
 - benchmark results (table), E-6
 - block diagram, D-2
 - installation, 1-8
- data transfer
 - change detection
 - continuous or finite data transfer, 2-30 to 2-31
 - triggering data transfer, 2-27 to 2-30
 - width of data to acquire, 2-26 to 2-27
 - handshaking I/O
 - continuous or finite data transfer, 2-9 to 2-10
 - direction of data transfer, 2-6
 - width of data to transfer, 2-6
 - optimizing transfer rates, E-1 to E-9
 - benchmark results, E-3 to E-9
 - maximum transfer rates, E-1 to E-2
 - obtaining fastest transfer rates, E-2
 - pattern I/O
 - continuous or finite data transfer, 2-21 to 2-22
 - direction of data transfer, 2-18
 - monitoring data transfer, 2-23

- rate of data transfer, 2-18 to 2-19
- triggering data transfer, 2-19 to 2-21
- width of data to transfer, 2-17

delay, programmable, handshaking protocol, 2-8 to 2-9

digital I/O specifications, A-1 to A-2

digital lines. *See* static digital lines.

digital patterns and waveforms. *See* pattern I/O.

DIOA<0..7> signal (table), C-4

DIOB<0..7> signal (table), C-4

DIOC<0..7> signal (table), C-5

DIOD<0..7> signal, description (table), C-5

DMA or interrupt transfers

- change detection, 2-31
- devices that support DMA transfers (table), E-2
- handshaking I/O, 2-10
- pattern I/O, 2-22

DPULL signal

- description (table), C-5
- power-on state, D-5

E

edge-based handshaking protocols. *See* signal edge-based handshaking protocols.

environment specifications, A-4 to A-5

equipment, optional, for connecting signals, C-7

F

finite data transfer. *See* continuous or finite data transfer.

G

GND signal, description (table), C-5

H

handshaking I/O, 2-6 to 2-17. *See also* handshaking I/O timing diagrams.

- ACK/REQ signal polarity, 2-8
- connecting signals, 2-10 to 2-11
- continuous or finite data transfer, 2-9 to 2-10
 - continuous input, 2-9
 - continuous output, 2-9 to 2-10
 - DMA or interrupt transfers, 2-10
 - finite, 2-9
- direction of data transfer, 2-6
- maximum transfer rates (table), E-1 to E-2
- port and timing controller combinations (table), 2-6
- programmable delay, 2-8 to 2-9
- programming, 2-12 to 2-17
 - buffered handshaking I/O in NI-DAQ (figure), 2-13
 - handshaking input in LabVIEW/LabVIEW RT (figure), 2-15
 - handshaking output in LabVIEW/LabVIEW RT (figure), 2-16
 - unbuffered handshaking I/O in NI-DAQ (figure), 2-14
- protocols
 - burst protocol, 2-7 to 2-8
 - deciding on a protocol, 2-7
 - startup sequence, 2-11 to 2-12
 - controlling line polarities, 2-12
 - initialization order, 2-11 to 2-12
 - when to use (table), 2-1
 - width of data to transfer, 2-6
- handshaking I/O timing diagrams, 3-4 to 3-40
 - 8255-emulation protocol, 3-12 to 3-17
 - input handshaking sequence (figure), 3-12 to 3-17
 - input state machine (figure), 3-14

- output handshaking sequence (figure), 3-15
- output state machine (figure), 3-16
- output timing diagram (figure), 3-17
- asynchronous protocol, 3-12
- burst protocol input timing diagram, 3-5 to 3-11
 - default timing diagram (figure), 3-8
 - PCLK reversed (figure), 3-10
 - transfer example (figure), 3-6
- burst protocol output timing diagram, 3-5 to 3-11
 - default timing diagram (figure), 3-9
 - PCLK reversed (figure), 3-11
 - transfer example (figure), 3-6
- comparing different protocols (table), 3-4 to 3-5
- leading-edge protocol, 3-29 to 3-34
 - input handshaking sequence (figure), 3-29
 - input state machine (figure), 3-30
 - input timing diagram (figure), 3-31
 - output handshaking sequence (figure), 3-32
 - output state machine (figure), 3-33
 - output timing diagram (figure), 3-34
- level-ACK protocol, 3-18 to 3-23
 - input handshaking sequence (figure), 3-18
 - input state machine (figure), 3-19
 - input timing diagram (figure), 3-20
 - output handshaking sequence (figure), 3-21
 - output state machine (figure), 3-22
 - output timing diagram (figure), 3-23
- long-pulse protocol, 3-35 to 3-40
 - input handshaking sequence (figure), 3-35
 - input state machine (figure), 3-36
 - input timing diagram (figure), 3-37
 - output handshaking sequence (figure), 3-38
 - output state machine (figure), 3-39
 - output timing diagram (figure), 3-40
- signal edge-based protocols, 3-24
- trailing-edge protocol, 3-25 to 3-28
 - input state machine (figure), 3-25
 - input timing diagram (figure), 3-26
 - output state machine (figure), 3-27
 - output timing diagram (figure), 3-28
- hardware, D-1 to D-11
 - block diagrams
 - AT-DIO-32HS, D-1
 - DAQCard-6533 for PCMCIA, D-2
 - PCI-DIO-32HS,
 - PCI/PXI-7030/6533, and
 - PXI-6533, D-3
 - PCI/PXI-6534, D-4
 - cable selection and termination, D-6 to D-9
 - Schottky-diode termination scheme, D-7 to D-9
 - transmission line terminations (figure), D-8
 - configuration
 - Mac OS, 1-9
 - Windows, 1-8 to 1-9
 - installation
 - AT-DIO-32HS, 1-7 to 1-8
 - DAQCard-6533 for PCMCIA, 1-8
 - PCI-DIO-32HS, PCI-6534, or
 - PCI-7030/6533 devices, 1-6 to 1-7
 - PXI-6533, PXI-6534, or
 - PXI-7030/6533 devices, 1-7
 - software, 1-5
 - unpacking 653X devices, 1-5 to 1-6
 - power connections, D-5 to D-6
 - power-on state, D-5
 - RTSI and PXI trigger bus interfaces, D-10 to D-11

- board, RTSI, and PXI bus clocks, D-10
- RTSI and PXI bus triggers, D-11
- sink and source current, D-9

I

- initialization order, handshaking I/O, 2-11 to 2-12
- installation
 - AT-DIO-32HS, 1-7 to 1-8
 - DAQCard-6533 for PCMCIA, 1-8
 - PCI-DIO-32HS, PCI-6534, or PCI-7030/6533 devices, 1-6 to 1-7
 - PXI-6533, PXI-6534, or PXI-7030/6533 devices, 1-7
 - software, 1-5
 - unpacking 653X devices, 1-5 to 1-6
- interrupt transfers. *See* DMA or interrupt transfers.

L

- LabVIEW and LabVIEW RT software, 1-3
- leading-edge handshaking protocol, 3-29 to 3-34
 - comparison of protocols (table), 3-4 to 3-5
 - definition, 3-24
 - input handshaking sequence (figure), 3-29
 - input state machine (figure), 3-30
 - input timing diagram (figure), 3-31
 - maximum transfer rate (table), E-2
 - output handshaking sequence (figure), 3-32
 - output state machine (figure), 3-33
 - output timing diagram (figure), 3-34
- level-ACK handshaking protocol, 3-18 to 3-23
 - comparison of protocols (table), 3-4 to 3-5

- input handshaking sequence (figure), 3-18
- input state machine (figure), 3-19
- input timing diagram (figure), 3-20
- maximum transfer rate (table), E-2
- output handshaking sequence (figure), 3-21
- output state machine (figure), 3-22
- output timing diagram (figure), 3-23
- line state, monitoring. *See* change detection.
- long-pulse handshaking protocol, 3-35 to 3-40
 - comparison of protocols (table), 3-4 to 3-5
 - definition, 3-24
 - input handshaking sequence (figure), 3-35
 - input state machine (figure), 3-36
 - input timing diagram (figure), 3-37
 - maximum transfer rate (table), E-2
 - output handshaking sequence (figure), 3-38
 - output state machine (figure), 3-39
 - output timing diagram (figure), 3-40

M

- Measurement Studio software, 1-3
- memory specifications, A-2
- monitoring data transfer, pattern I/O, 2-23
- monitoring line state. *See* change detection.

N

- National Instruments application software, 1-3 to 1-4
- NI Developer Zone, F-1
- NI-DAQ driver software
 - compatibility with devices (table), 1-5
 - overview, 1-4 to 1-5

O

- optimizing transfer rates, E-1 to E-9
 - benchmark results, E-3 to E-9
 - AT-DIO-32HS (table), E-4
 - DAQCard-6533 for PCMCIA (table), E-6
 - PCI-6534, E-6 to E-7
 - PCI-7030/6533 with LabVIEW RT (table), E-8
 - PCI-DIO-32HS (table), E-4 to E-5
 - PXI-6533 (table), E-5
 - PXI-6533 with LabVIEW RT (table), E-8 to E-9
 - PXI-6534 (table), E-7
 - maximum transfer rates, E-1 to E-2
 - obtaining fastest transfer rates, E-2
- optional equipment for connecting signals, C-7

P

- pattern I/O, 2-17 to 2-26
 - connecting signals, 2-23 to 2-24
 - continuous or finite data transfer
 - continuous input, 2-21 to 2-22
 - continuous output, 2-22
 - DMA or interrupt transfers, 2-22
 - finite, 2-21
 - internal or external REQ source, 2-18
 - maximum transfer rate (table), E-3
 - monitoring data transfer, 2-23
 - port and timing controller combinations (table), 2-17
 - programming, 2-24 to 2-26
 - continuous, in NI-DAQ, 2-25
 - LabVIEW/LabVIEW RT, 2-25
 - single buffer, in NI-DAQ, 2-24
 - REQ polarity, 2-18
 - specifications, A-3

- timing diagrams, 3-1 to 3-3
 - external REQ signal source, 3-2 to 3-3
 - internal REQ signal source, 3-1 to 3-2
 - transfer direction, 2-18
 - transfer rate, 2-18 to 2-19
 - triggering data transfer, 2-19 to 2-21
 - pattern-matching trigger (input only), 2-20 to 2-21
 - start and stop trigger, 2-20 to 2-21
 - start trigger, 2-19
 - stop trigger, 2-19 to 2-20
 - when to use (table), 2-1
 - width of data to transfer, 2-17
 - pattern-matching trigger
 - change detection, 2-29 to 2-30
 - input only, pattern I/O, 2-20 to 2-21
 - PCI-6534 device
 - benchmark results (table), E-6 to E-7
 - block diagram, D-4
 - installation, 1-6
 - support for DMA transfers (table), E-2
 - PCI-7030/6533 device
 - benchmark results (table), E-8
 - block diagram, D-3
 - installation, 1-6
 - PCI-DIO-32HS
 - benchmark results (table), E-4 to E-5
 - block diagram, D-3
 - installation, 1-6 to 1-7
 - support for DMA transfers (table), E-2
 - PCLK<1..2> signal
 - burst input timing diagrams
 - default input timing diagram (figure), 3-8
 - PCLK reversed (figure), 3-10
 - transfer example (figure), 3-6
 - burst output timing diagrams
 - output timing diagram (figure), 3-9
 - PCLK reversed (figure), 3-11

- transfer example (figure), 3-6
 - description (table), C-4
 - frequency selection for programmable delay, 2-8 to 2-9
 - handshaking I/O and pattern I/O (table), C-1
 - signal direction for burst protocol, 2-7 to 2-8
 - physical specifications, A-4
 - pin assignments
 - 50-pin signal connections (figure), C-6
 - 68-pin signal connections (figure), C-2
 - polarity
 - ACK/REQ signals, 2-8
 - comparison of handshaking protocols (table), 3-4 to 3-5
 - controlling line polarities, 2-12
 - Port 4 lines (table), 2-4
 - power connections, D-5 to D-6
 - power specifications
 - power available at I/O connector, A-4
 - power requirement, A-4
 - power-on state, D-5
 - programmable delay, handshaking protocol, 2-8 to 2-9
 - programming. *See also* software programming choices.
 - change detection, 2-31 to 2-33
 - continuous change detection in NI-DAQ (figure), 2-32
 - LabVIEW/LabVIEW RT (figure), 2-33
 - single buffer change detection in NI-DAQ (figure), 2-32
 - handshaking I/O, 2-12 to 2-17
 - buffered handshaking I/O in NI-DAQ (figure), 2-13
 - handshaking input in LabVIEW/LabVIEW RT (figure), 2-15
 - handshaking output in LabVIEW/LabVIEW RT (figure), 2-16
 - unbuffered handshaking I/O in NI-DAQ (figure), 2-14
 - pattern I/O, 2-24 to 2-26
 - continuous, in NI-DAQ, 2-25
 - LabVIEW/LabVIEW RT, 2-25
 - single buffer, in NI-DAQ, 2-24
 - unstrobed I/O, 2-4 to 2-6
 - control/timing lines as extra unstrobed data lines, 2-5 to 2-6
 - flowcharts, 2-5
 - PXI, using with CompactPCI, B-1
 - PXI bus interface. *See* RTSI and PXI trigger bus interfaces.
 - PXI-6533 device
 - benchmark results (table), E-5
 - with LabVIEW RT, E-8 to E-9
 - installation, 1-7
 - support for DMA transfers (table), E-2
 - PXI-6534 device
 - benchmark results (table), E-7
 - block diagram, D-4
 - installation, 1-7
 - support for DMA transfers (table), E-2
 - PXI-7030/6533 devices
 - block diagram, D-3
 - installation, 1-7
- ## R
- REQ<1..2> signal
 - 8255-emulation protocol
 - input handshaking sequence (figure), 3-13
 - input state machine (figure), 3-14
 - output handshaking sequence (figure), 3-15
 - output state machine (figure), 3-16

- output timing diagram (figure), 3-17
 - overview, 3-12 to 3-13
 - burst input timing diagrams
 - default input timing diagram (figure), 3-8
 - PCLK reversed (figure), 3-10
 - transfer example (figure), 3-6
 - burst output timing diagrams
 - output timing diagram (figure), 3-9
 - PCLK reversed (figure), 3-11
 - transfer example (figure), 3-6
 - connecting signals
 - handshaking I/O, 2-10 to 2-11
 - pattern I/O, 2-23
 - description (table), C-4
 - handshaking I/O and pattern I/O (table), C-1
 - leading-edge protocol
 - input handshaking sequence (figure), 3-29
 - input state machine (figure), 3-30
 - input timing diagram (figure), 3-31
 - output handshaking sequence (figure), 3-32
 - output state machine (figure), 3-33
 - output timing diagram (figure), 3-34
 - level-ACK protocol
 - input handshaking sequence (figure), 3-18
 - input state machine (figure), 3-19
 - input timing diagram (figure), 3-20
 - output handshaking sequence (figure), 3-21
 - output state machine (figure), 3-22
 - output timing diagram (figure), 3-23
 - long-pulse protocol
 - input handshaking sequence (figure), 3-35
 - input state machine (figure), 3-36
 - input timing diagram (figure), 3-37
 - output handshaking sequence (figure), 3-38
 - output state machine (figure), 3-39
 - output timing diagram (figure), 3-40
 - polarity for handshaking I/O
 - comparison of handshaking protocols (table), 3-4 to 3-5
 - controlling line polarity, 2-12
 - selecting polarity, 2-8
 - polarity for pattern I/O, 2-18
 - signal source for pattern I/O
 - choosing internal or external source, 2-18
 - external REQ signal source, 3-2 to 3-3
 - internal REQ signal source, 3-1 to 3-2
 - trailing-edge protocol
 - input handshaking sequence (figure), 3-25
 - input state machine (figure), 3-25
 - input timing diagram (figure), 3-26
 - output handshaking sequence (figure), 3-27
 - output state machine (figure), 3-27
 - output timing diagram (figure), 3-28
 - requirements for getting started, 1-2
 - RGND signal (table), C-5
 - RTSI and PXI trigger bus interfaces, D-10 to D-11
 - board, RTSI, and PXI bus clocks, D-10
 - RTSI and PXI bus triggers, D-11
 - RTSI trigger specifications, A-3
- ## S
- Schottky-diode termination scheme, D-7 to D-9
 - signal connections, C-1 to C-7
 - 50-pin signal connections, C-6 to C-7
 - accessories (table), C-7

- pin assignments (figure), C-6
- 68-pin signal connections, C-2 to C-3
 - accessories (table), C-3
 - pin assignments (figure), C-2
- change detection, 2-31
- control signals (table), C-1
- handshaking I/O, 2-10 to 2-11
- optional equipment, C-7
- pattern I/O, 2-23 to 2-24
- signal descriptions (table), C-3 to C-5
- static digital lines, 2-4
- signal edge-based handshaking protocols
 - comparison of protocols (table), 3-4 to 3-5
 - leading-edge handshaking protocol, 3-29 to 3-34
 - long-pulse handshaking protocol, 3-35 to 3-40
 - trailing-edge handshaking protocol, 3-25 to 3-28
 - types of protocols, 3-24
- sink current, D-9
- software installation, 1-5
- software programming choices, 1-3 to 1-5
 - National Instruments application software, 1-3 to 1-4
 - NI-DAQ driver software, 1-4 to 1-5
- source current, D-9
- specifications
 - bus interfaces, A-3
 - change detection, A-3
 - digital I/O, A-1 to A-2
 - environment, A-4 to A-5
 - memory, A-2
 - pattern I/O, A-3
 - physical, A-4
 - power available at I/O connector, A-4
 - power requirement, A-4
 - triggers
 - RTSI triggers (PCI, PXI, AT), A-3
 - start and stop triggers, A-3
- standard output, unstrobed I/O, 2-2
- start and stop trigger
 - change detection, 2-28 to 2-29
 - pattern I/O, 2-20 to 2-21
 - trigger specifications, A-3
- start trigger
 - change detection, 2-28
 - pattern I/O, 2-19
- STARTTRIG<1..2> signal (table), C-1
- startup sequence for handshaking I/O, 2-11 to 2-12
 - controlling line polarities, 2-12
 - initialization order, 2-11 to 2-12
- static digital lines
 - configuring, 2-2 to 2-3
 - standard output, 2-2
 - wired-OR output, 2-2 to 2-3
 - connecting signals, 2-4
 - controlling and monitoring, 2-2 to 2-6
 - Port 4 lines (table), 2-4
 - programming unstrobed I/O, 2-4 to 2-6
 - control/timing lines as extra unstrobed data lines, 2-5 to 2-6
 - flowcharts, 2-5
 - using control lines as extra unstrobed data lines, 2-3 to 2-4
- stop trigger. *See also* start and stop trigger.
 - change detection, 2-28
 - pattern I/O, 2-19 to 2-20
- STOPTRIG<1..2> signal
 - connecting signals
 - change detection, 2-31
 - pattern I/O, 2-24
 - description (table), C-4
 - handshaking I/O and pattern I/O (table), C-1
 - start and stop trigger
 - change detection, 2-28 to 2-29
 - pattern I/O, 2-20

- stop trigger
 - change detection, 2-28
 - pattern I/O, 2-19 to 2-20
- system integration, by National Instruments, F-1

T

- technical support resources, F-1 to F-2
- terminating cables. *See* cable selection and termination.
- timing diagrams, 3-1 to 3-40
 - handshaking I/O, 3-4 to 3-40
 - 8255-emulation protocol, 3-12 to 3-17
 - asynchronous protocol, 3-12
 - burst protocol, 3-5 to 3-11
 - comparing different protocols (table), 3-4 to 3-5
 - edge-based protocols, 3-24
 - leading-edge protocol, 3-29 to 3-34
 - level-ACK protocol, 3-18 to 3-23
 - long-pulse protocol, 3-35 to 3-40
 - trailing-edge protocol, 3-25 to 3-28
 - pattern I/O, 3-1 to 3-3
 - external REQ signal source, 3-2 to 3-3
 - internal REQ signal source, 3-1 to 3-2
- trailing-edge handshaking protocol, 3-25 to 3-28
 - comparison of protocols (table), 3-4 to 3-5
 - definition, 3-24
 - input state machine (figure), 3-25
 - input timing diagram (figure), 3-26
 - maximum transfer rate (table), E-3
 - output state machine (figure), 3-27
 - output timing diagram (figure), 3-28
- transferring data. *See* data transfer.

- trigger bus interfaces. *See* RTSI and PXI trigger bus interfaces.
- trigger specifications
 - RTSI triggers (PCI, PXI, AT), A-3
 - start and stop triggers, A-3
- triggering data transfer
 - change detection, 2-27 to 2-30
 - pattern-matching trigger, 2-29 to 2-30
 - start and stop trigger, 2-28 to 2-29
 - start trigger, 2-28
 - stop trigger, 2-28
 - pattern I/O, 2-19 to 2-21
 - pattern-matching trigger (input only), 2-20 to 2-21
 - start and stop trigger, 2-20 to 2-21
 - start trigger, 2-19
 - stop trigger, 2-19 to 2-20

U

- unpacking 653X devices, 1-5 to 1-6
- unstrobed I/O, 2-2 to 2-6
 - configuring digital lines, 2-2 to 2-3
 - standard output, 2-2
 - wired-OR output, 2-2 to 2-3
 - Port 4 lines (table), 2-4
 - programming, 2-4 to 2-6
 - control/timing lines as extra unstrobed data lines, 2-5 to 2-6
 - flowcharts, 2-5
 - using control lines as extra unstrobed data lines, 2-3 to 2-4
 - when to use (table), 2-1

V

- VirtualBench software, 1-3

W

waveforms. *See* pattern I/O.

Web support from National Instruments, F-1

wired-OR output, unstrobed I/O, 2-2 to 2-3

Worldwide technical support, F-2