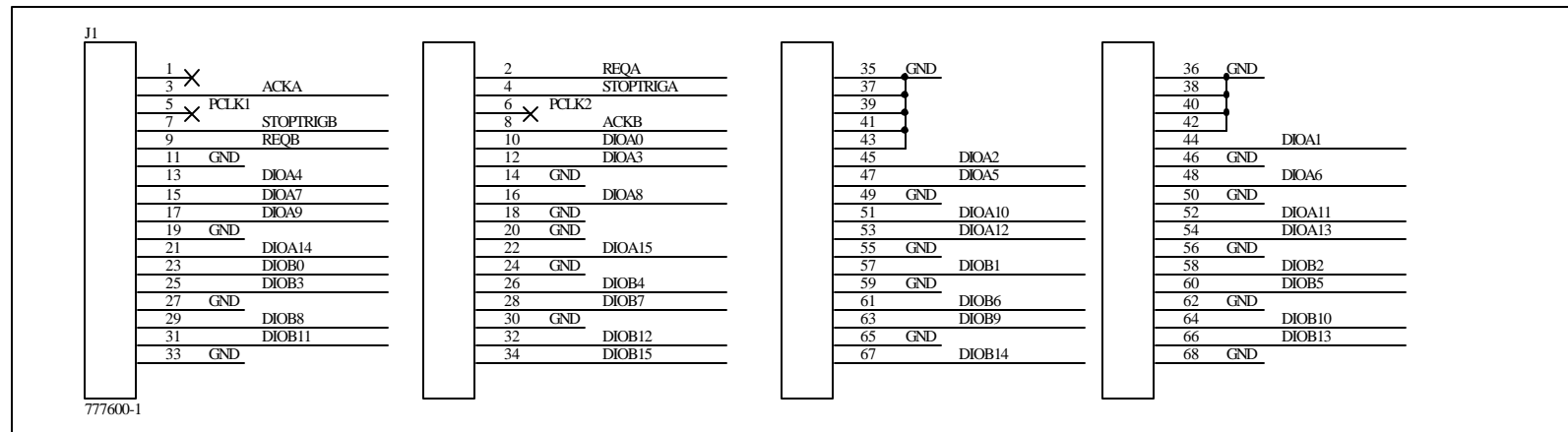
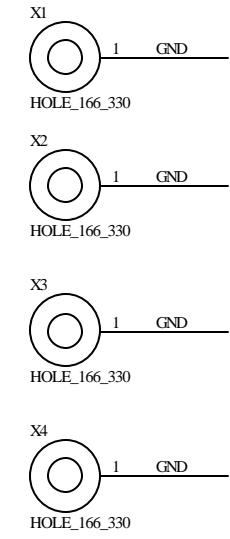


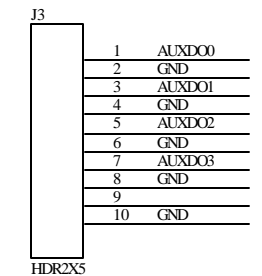
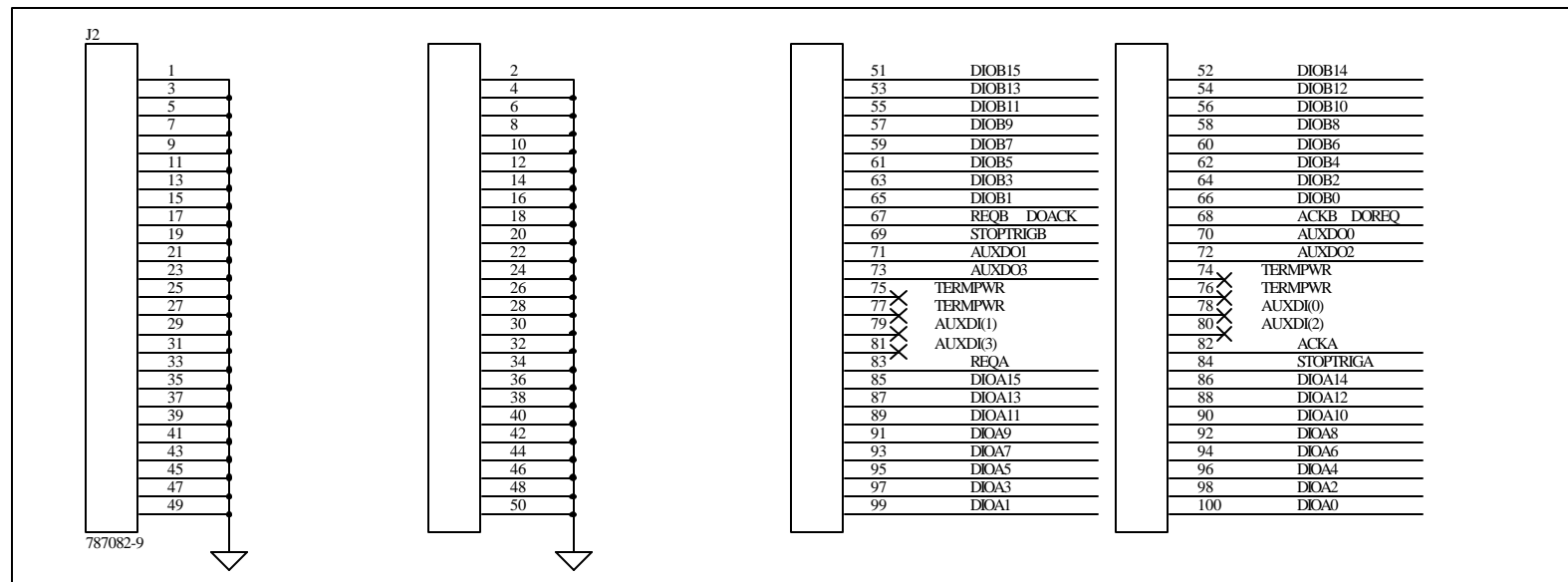
### Multifunction Board Side



NOTE: Datasheet for NI board says that pin 20 is GND and pin 22 is DIOB3, but footprint on board has the corresponding pins 19 and 21 swapped in position.



### I/O Board Side



Title Converter from ADLINK I/O board to Multifunction Board		
Size B	Number	Revision 2
Date: 21-Jul-2003	Sheet of	
File: E:\FA\Multifunction board\Cable Converter\Red2CableConverter.ddb		