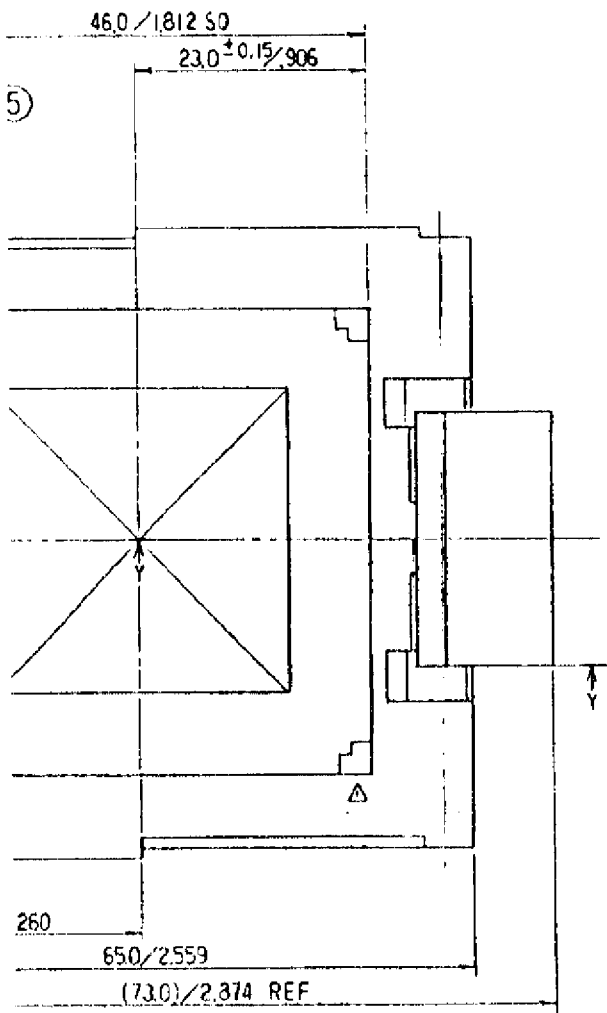
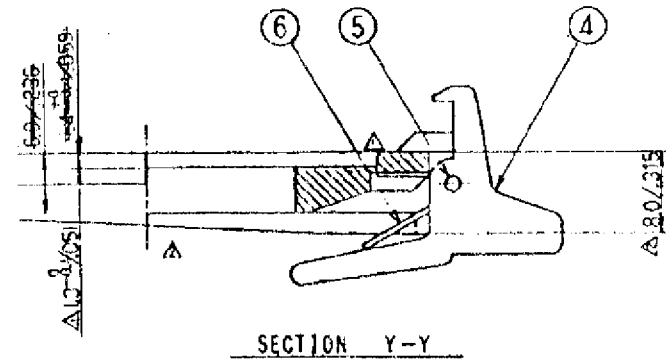
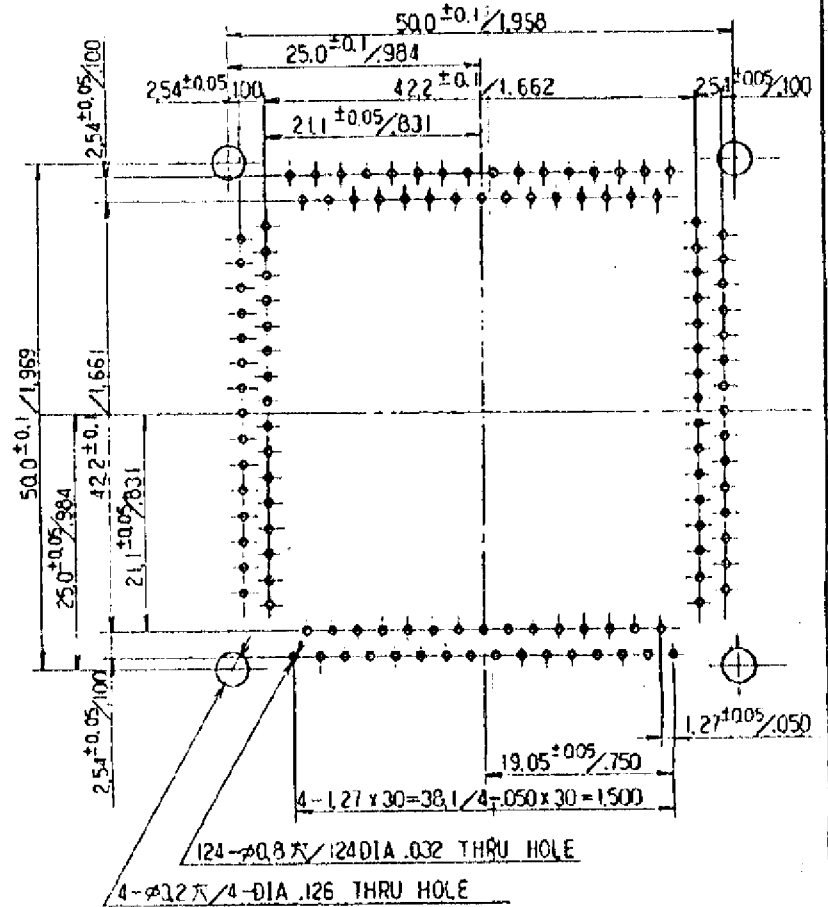


REV. NO.	REV. INT.	REVISION DESCRIPTION	APP.	DATE	REV. NOTICE NO.
Δ. 5		Socket form change		88-03-27	88-0322
Δ. 4		Design dimension & part changed		88-07-31	88-1019
Δ. 3		Length of 14 holes are changed		88-10-3	88-1268
Δ. 2		TORE CHANGE		89-3-22	89-0422
Δ. 1		RECRANN		89-7-31	89-1742



CONTACT FIXED SCREW HOLE PATTERN (TOP VIEW)



性能：SPECIFICATIONS

1. 绝缘电阻：INSULATION RESISTANCE.
1000MΩ or more at 500V. DC.
2. 耐压：WITHSTAND VOLTAGE.
700V. AC. for a minute.
3. 接触电阻：CONTACT RESISTANCE.
30mΩ or less at 10mA, 20mV.
4. 定额定流：RATED CURRENT.
1A max.
5. 接触力：CONTACT FORCE.
30~200g(0.295~1.966N) at moved distance pl
0.2~1.1mm/008~0431K each individual contact.
6. 使用温度：OPERATION TEMPERATURE.
-55°C ~ +170°C max.

NOTE

※ Making 24pieces partition walls are high to surface for location.