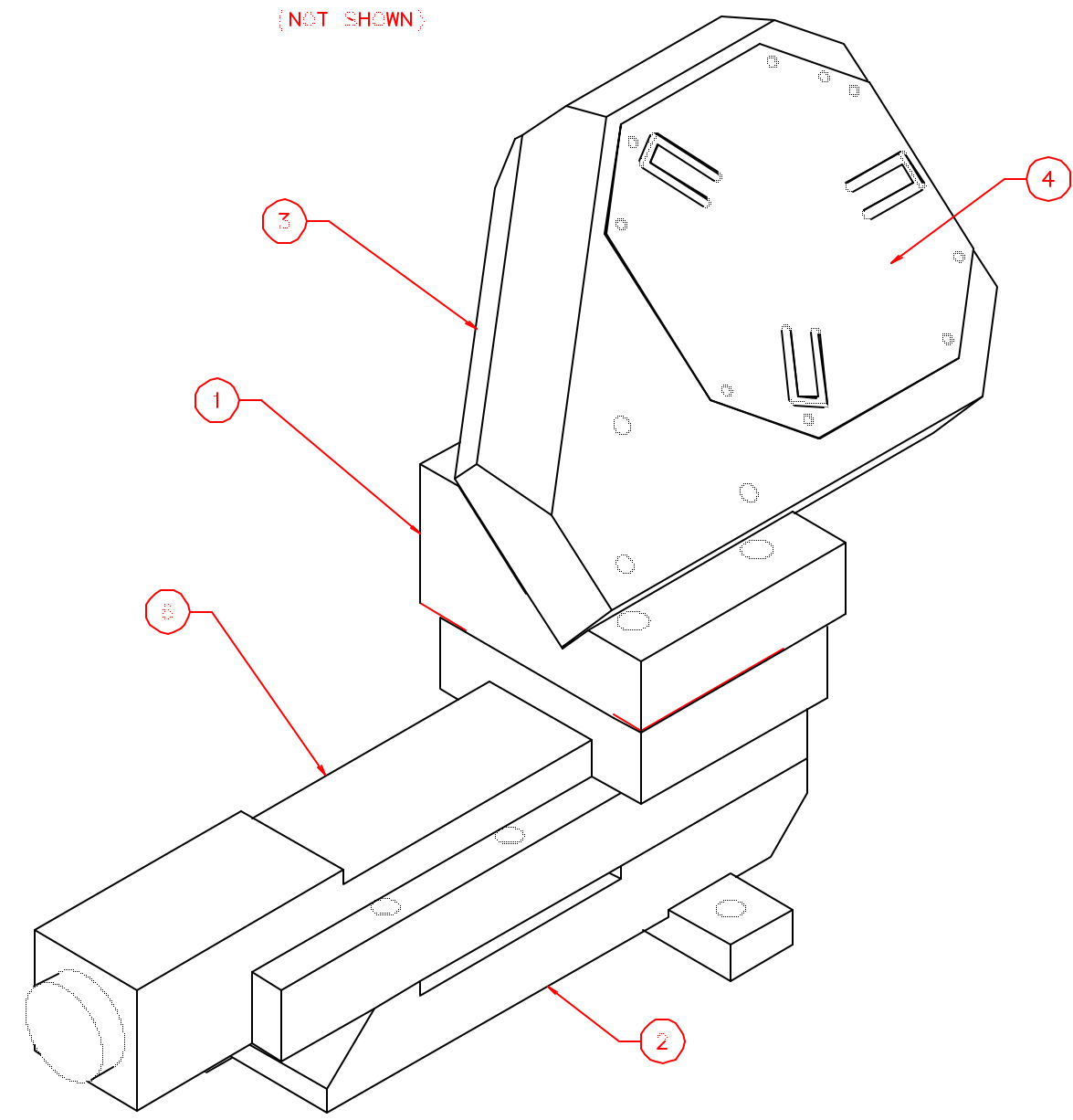


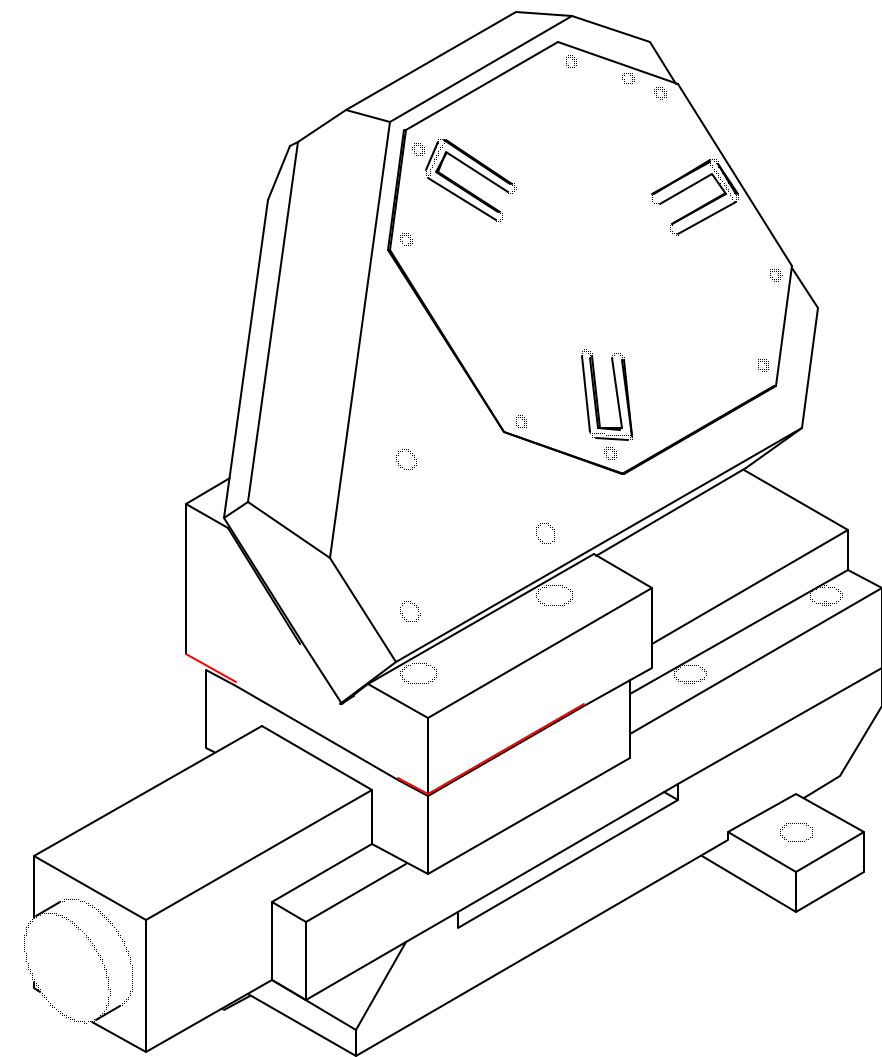
BILL OF MATERIAL

ITEM	Q'TY	IRW. NO.	DESCRIPTION	MATERIAL
1	1	SA1-011	PICKOFF MIRROR BLOCK	ALUM 6061-T6
2	1	SA1-012	PICKOFF MIRROR MOUNT	ALUM 6061-T6
3	1	SA1-013	PICKOFF MIRROR PLATE	ALUM 6061-T6
4	1	SA1-014	PICKOFF MIRROR SPRING PLATE	TITANIUM
5	1	12MFB023/021	AL COATED ROUND FLAT MIRROR	LEBO
6	1	RMS-400	SINGLE AXIS TABLE	STEEL

5
(NOT SHOWN)



(ENGAGED POSITION)



(RETRACTED POSITION)

QUANTITY: ONE

	TOLERANCES <small>(UNLESS OTHERWISE NOTED)</small>	DRAWING NUMBER SA1-001	INSTITUTE FOR ASTRONOMY <small>2680 WOODLAND DR., HENRIEVILLE, NY 13352</small>	
	NCXT ASSY X.X ±0.02 X.XX ±0.005 X.XXX ±0.001 < ±0.5*	DATE: 09/23/09 DESIGNER: NCILL JOB #: MFG:	NAME: PICKOFF MIRROR ASSEMBLY INSTRUMENT: SFCX TELESCOPE: IRTT	SIZE: B SCALE: