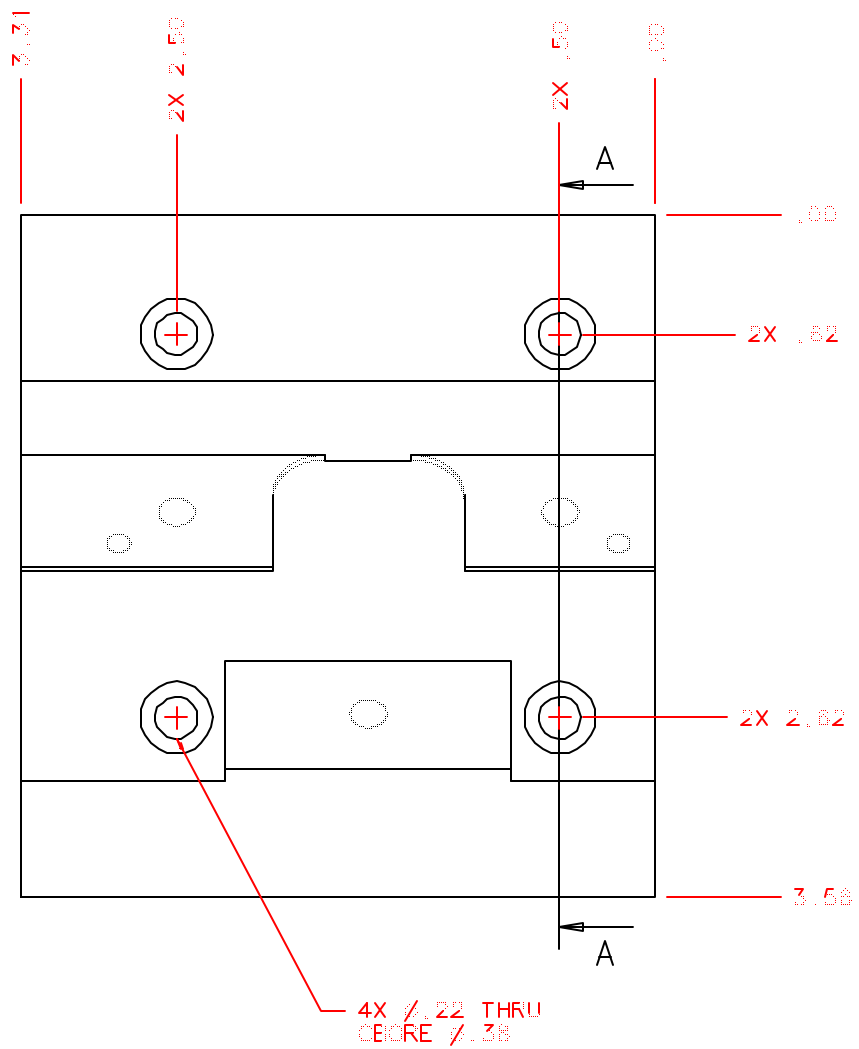
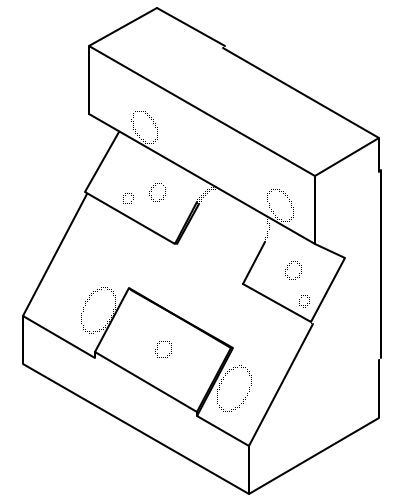
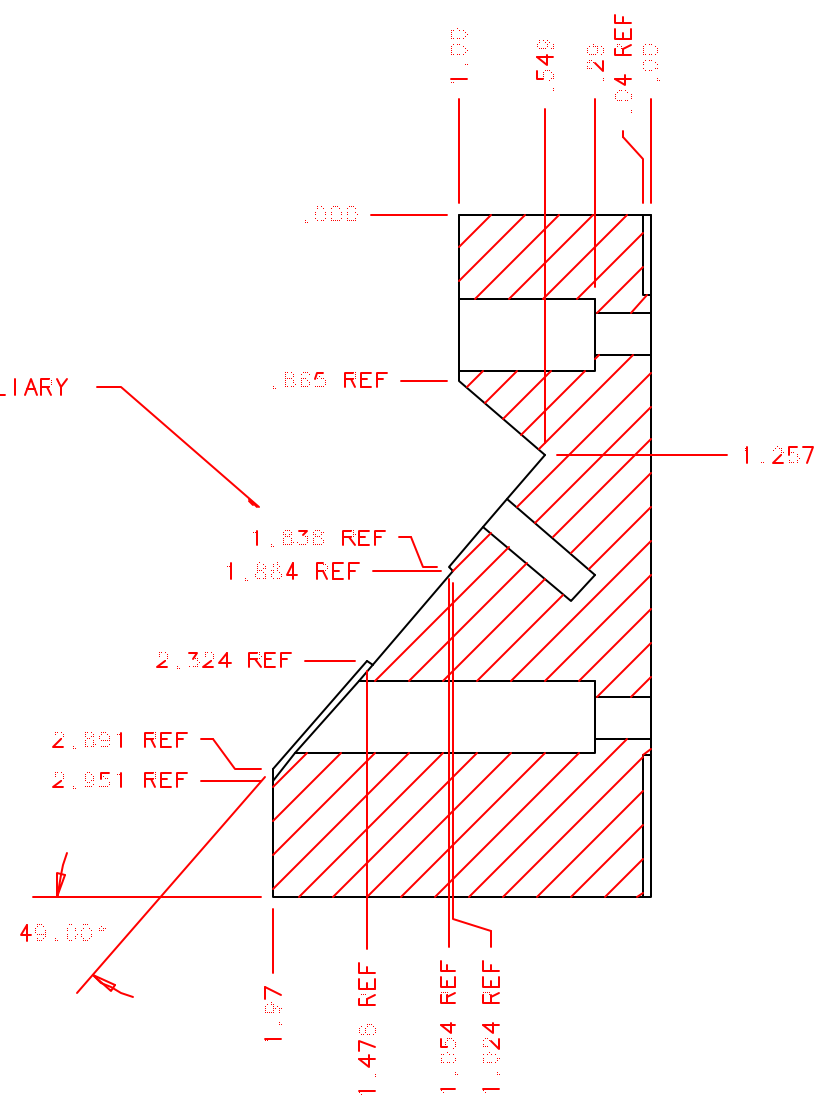


NOTES:

BILL OF MATERIAL				
ITEM	Q'TY	DRW. NO.	DESCRIPTION	MATERIAL



SEE AUXILIARY VIEW A



SECTION A - A

MATERIAL: ALUM 6061-T6
 QUANTITY: ONE

	TOLERANCES <small>(UNLESS OTHERWISE NOTED)</small>	DRAWING NUMBER SA1-011-1	INSTITUTE FOR ASTRONOMY <small>2680 WOODLAND DR., HENRIEVILLE, NY 13352</small>	
	NCXT ASSY X.X ±0.02	DATE: 08/18/99	NAME: PICKETT MIRROR BLOCK INSTRUMENT: SPCX TELESCOPE: IRTT	
SA1-001 X.XX ±0.005	DESIGNER: NCILL	JOB #	SIZE: B	REVISION DATE: FINAL
X.XXX ±0.001	MFG:	SCALE: 1:1	SHEET NO. 1 OF 2	
< ±0.5°				