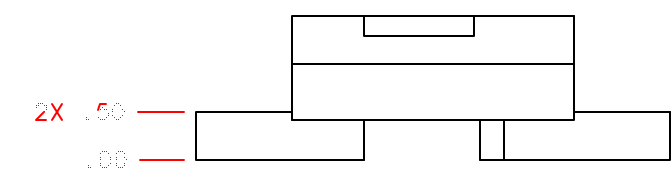
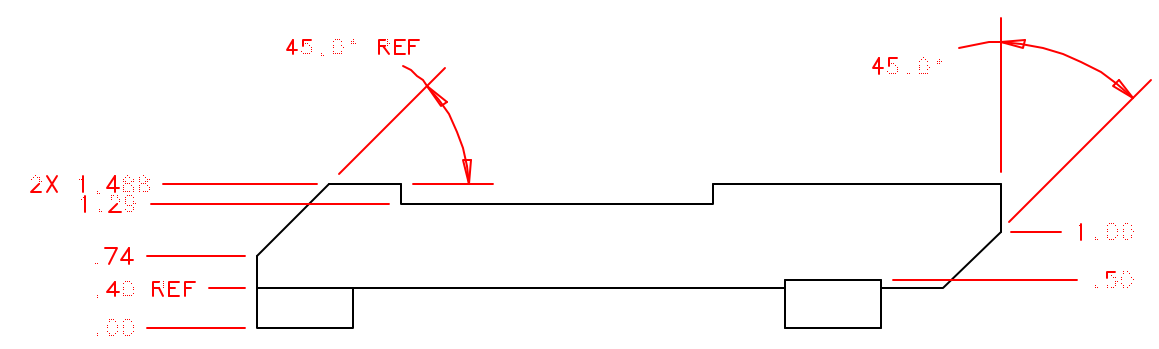
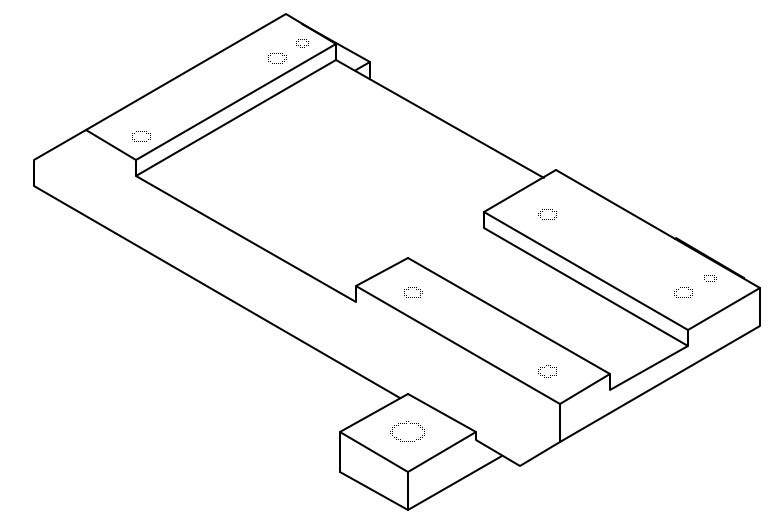
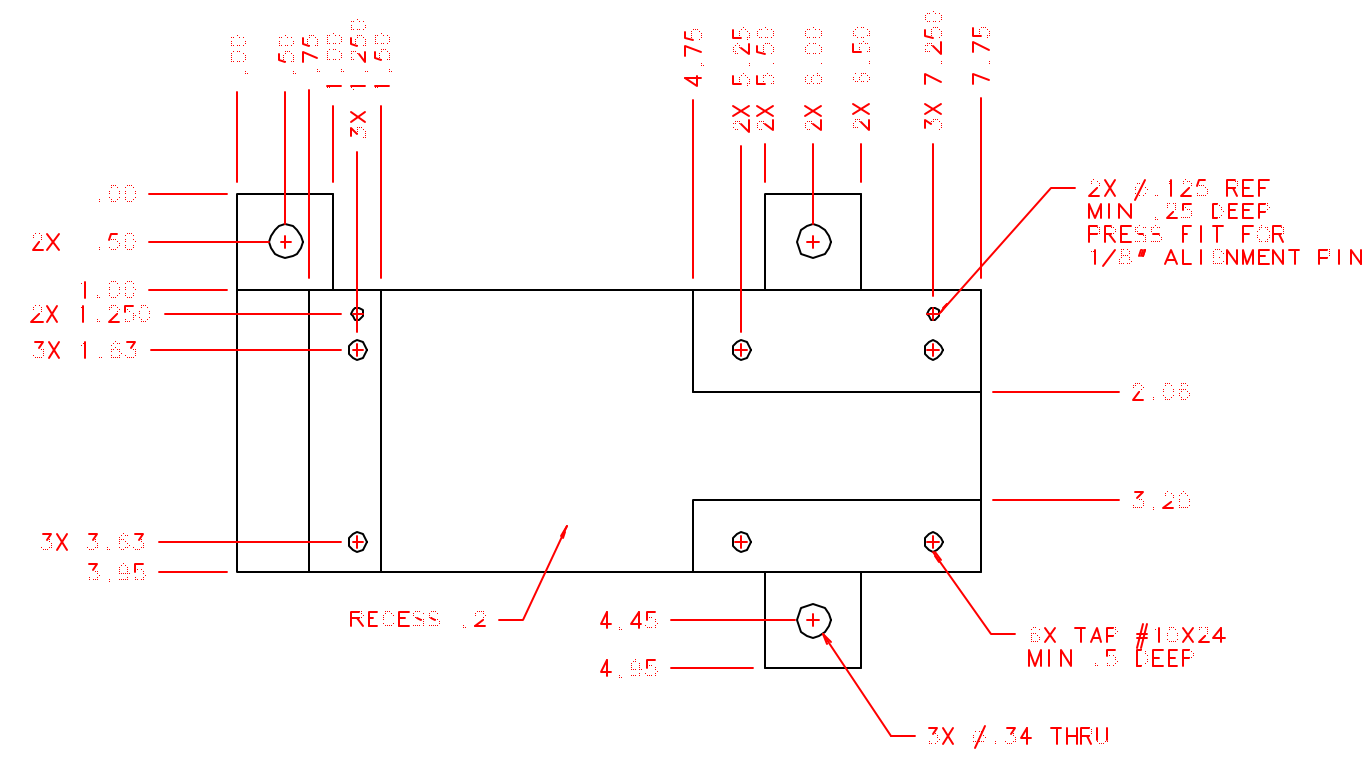


BILL OF MATERIAL

ITEM	Q'TY	DRW. NO.	DESCRIPTION	MATERIAL
------	------	----------	-------------	----------



MATERIAL: ALUM 6061-T6
 QUANTITY: ONE

	TOLERANCES <small>(UNLESS OTHERWISE NOTED)</small>	DRAWING NUMBER SA1-012-1	INSTITUTE FOR ASTRONOMY <small>2680 WHEELMAN DR., HENNELLO, HI 96822</small>	
	NCXT ASSY X.X ±0.02 SA1-001 X.XX ±0.005 X.XXX ±0.001 < ±0.5°	DATE: 08/23/09 DESIGNER: NCILL JOB #: MFG:	NAME: PICKETT MIRROR MOUNT INSTRUMENT: SPCX TELESCOPE: IRTT SIZE: B SCALE: 1:2	REVISION DATE: FINAL SHEET NO. 1 OF 2