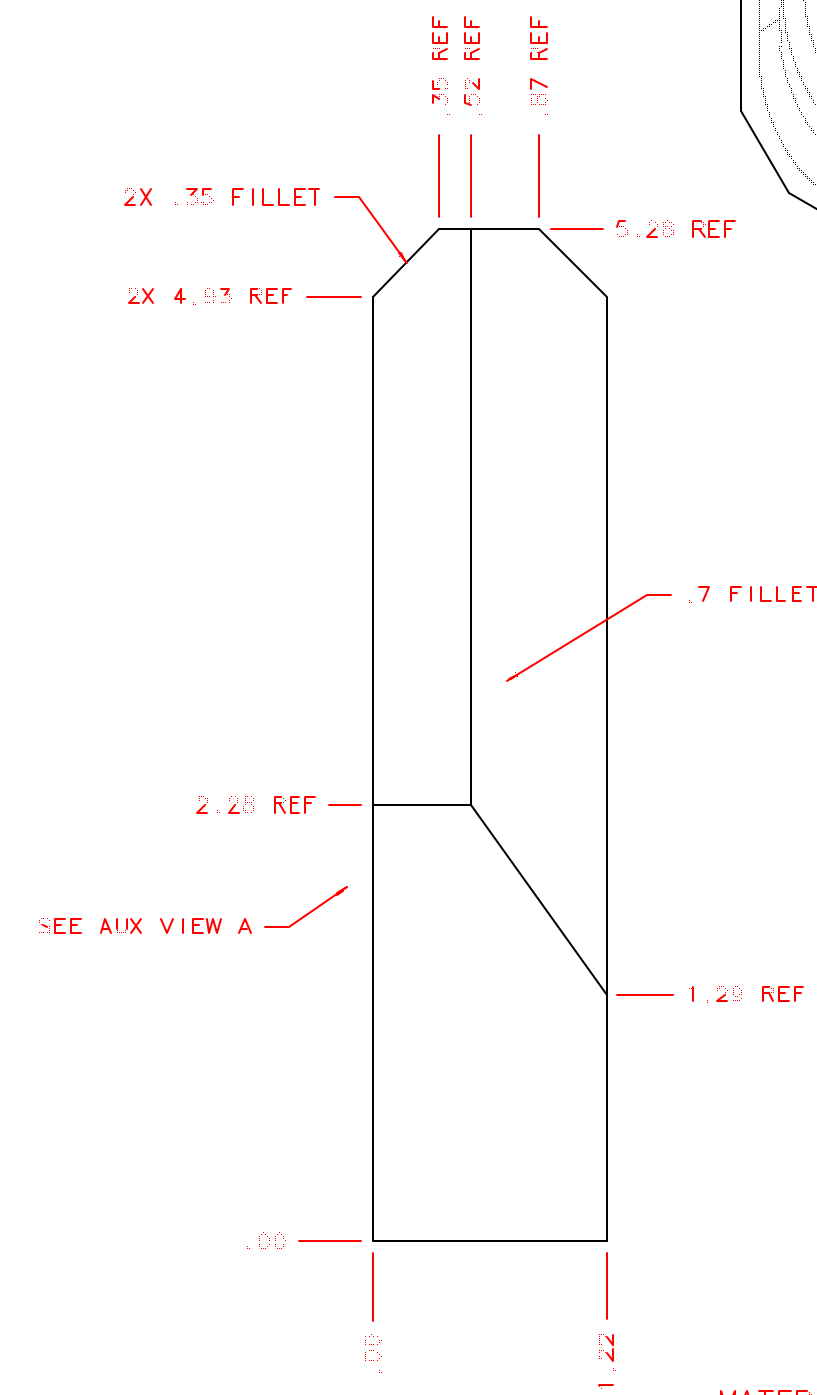
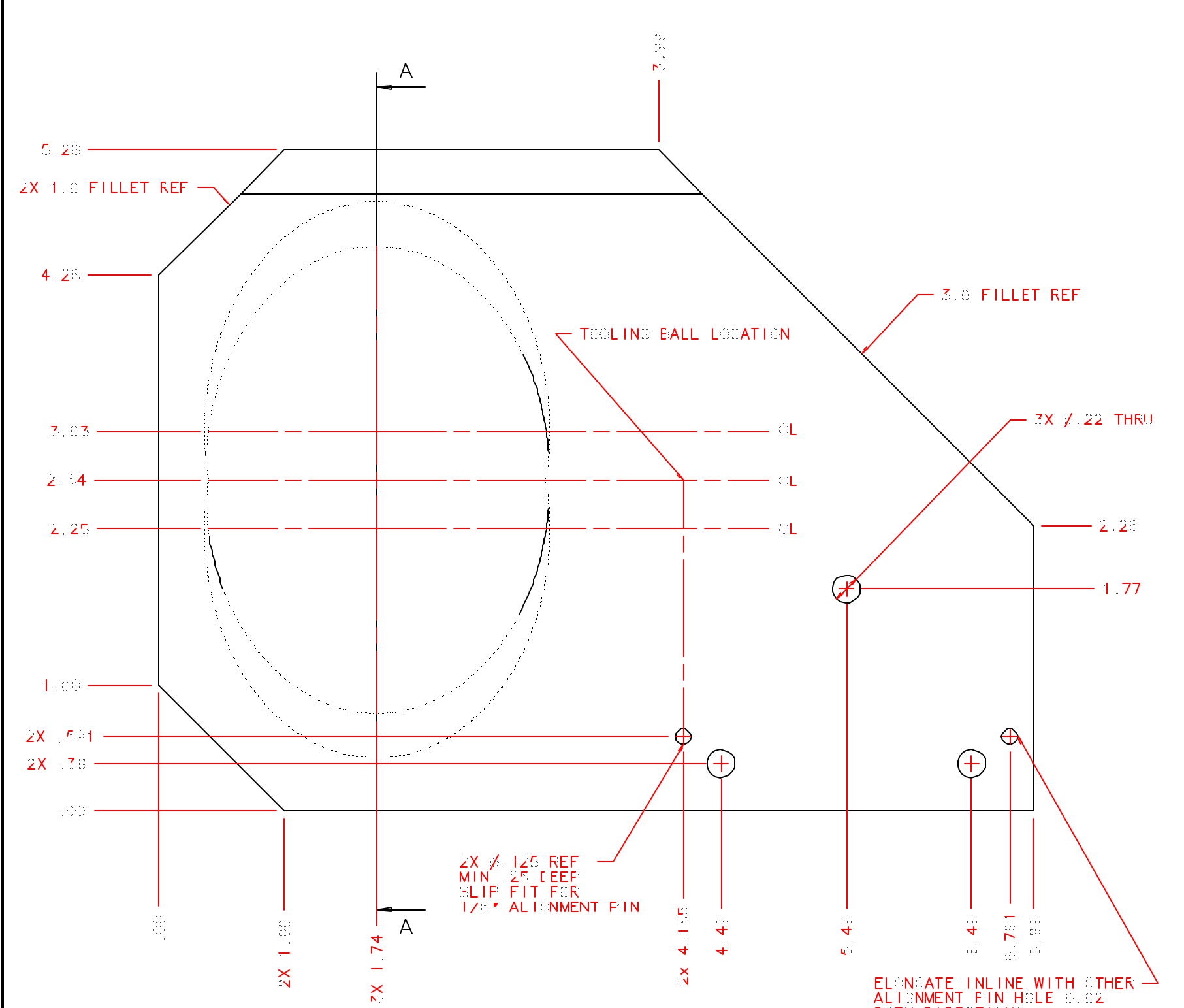
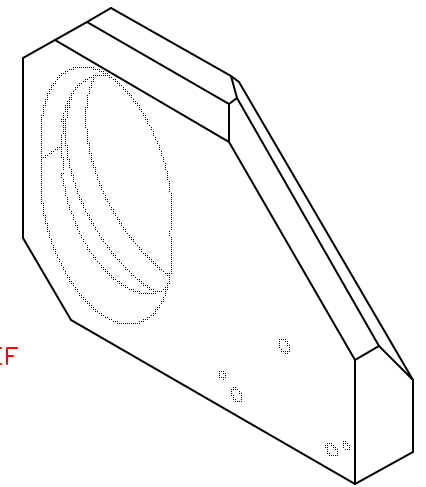


BILL OF MATERIAL				
ITEM	Q'TY	DRW. NO.	DESCRIPTION	MATERIAL



2X $\frac{1}{16}$ REF
MIN .25 DEEP
SLIP FIT FOR
1/8" ALIGNMENT PIN

ELONGATE INLINE WITH OTHER
ALIGNMENT PIN HOLE ± 0.02
BOTH DIRECTIONS

MATERIAL: ALUM 6061-T6
QUANTITY: ONE

	TOLERANCES UNLESS OTHERWISE NOTED	DRAWING NUMBER SA1-013-1	INSTITUTE FOR ASTRONOMY 2680 WOODLAWN DR., HENRIEVILLE, NY 13352	
	NEXT ASSY	X.X ± 0.02	DATE: 08/23/99	NAME: PICKETT MIRROR PLATE
SA1-001	X.XX ± 0.005	DESIGNER: NCILL	INSTRUMENT: SFCX	TELESCOPE: IRTT
	X.XXX ± 0.001	JOB #:	SIZE: B	REVISION DATE: FINAL
	$\angle \pm 0.5^\circ$	MFG:	SCALE: 1:1	SHEET NO. 1 OF 3