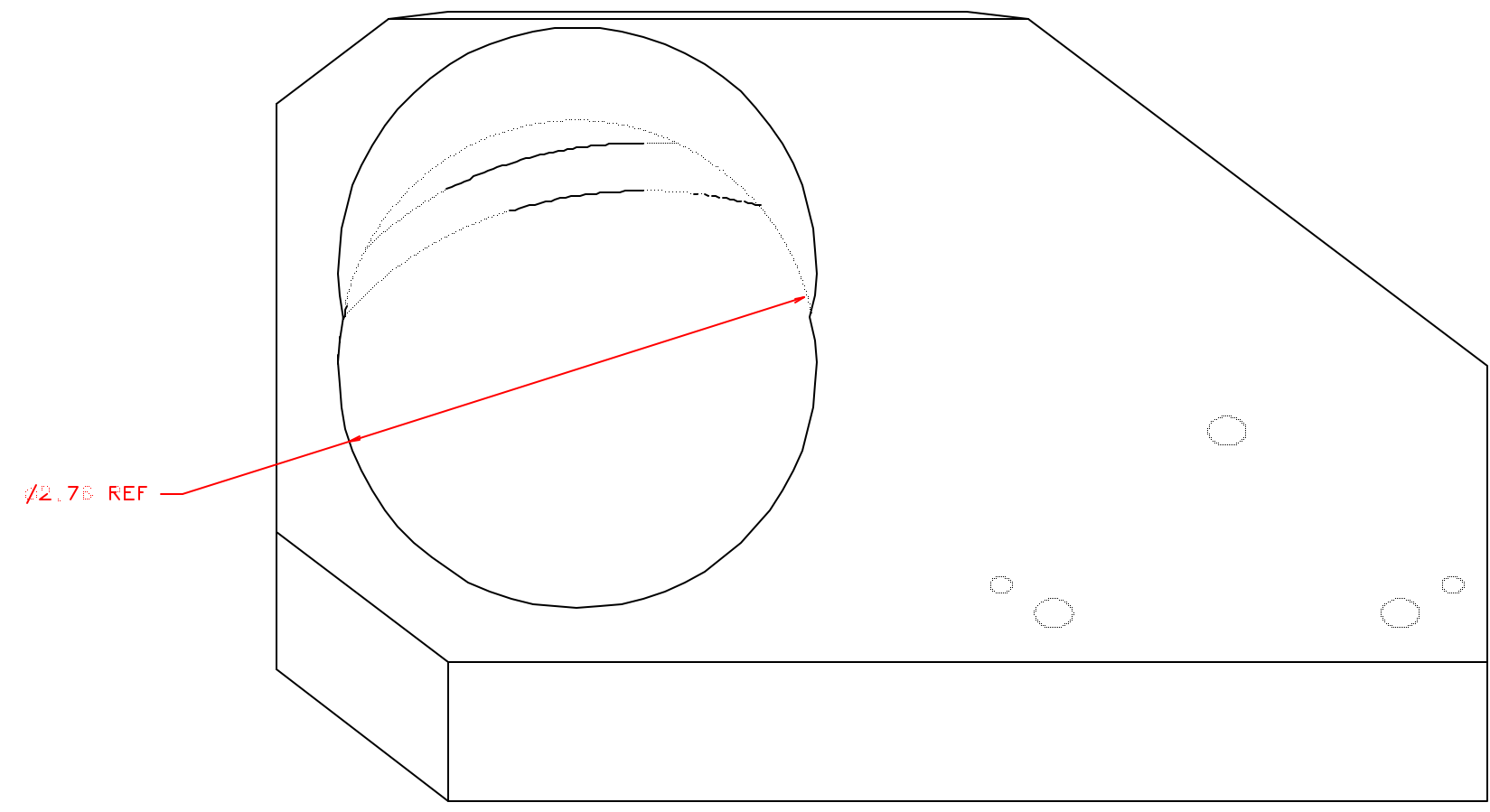


BILL OF MATERIAL

ITEM	Q'TY	DRW. NO.	DESCRIPTION	MATERIAL
------	------	----------	-------------	----------



Ø2.75 REF

AUX VIEW A

	<b>TOLERANCES</b>	<b>DRAWING NUMBER</b>	<b>INSTITUTE FOR ASTRONOMY</b>	
	(UNLESS OTHERWISE NOTED)	SA1-013-3	2680 WOODLAWN DR., HENRIETTA, NY 14457	
NCXT ASSY	X.X ±0.02	DATE: 09/23/00	NAME: PICKETT MIRROR PLATE	
SA1-001	X.XX ±0.005	DESIGNED: NCILL	INSTRUMENT: SPCX	
	X.XXX ±0.001	JOB #:	SIZE: B	REVISION DATE: FINAL
	< ±0.5°	MFG:	SCALE: 1:1	SHEET NO. 3 OF 3