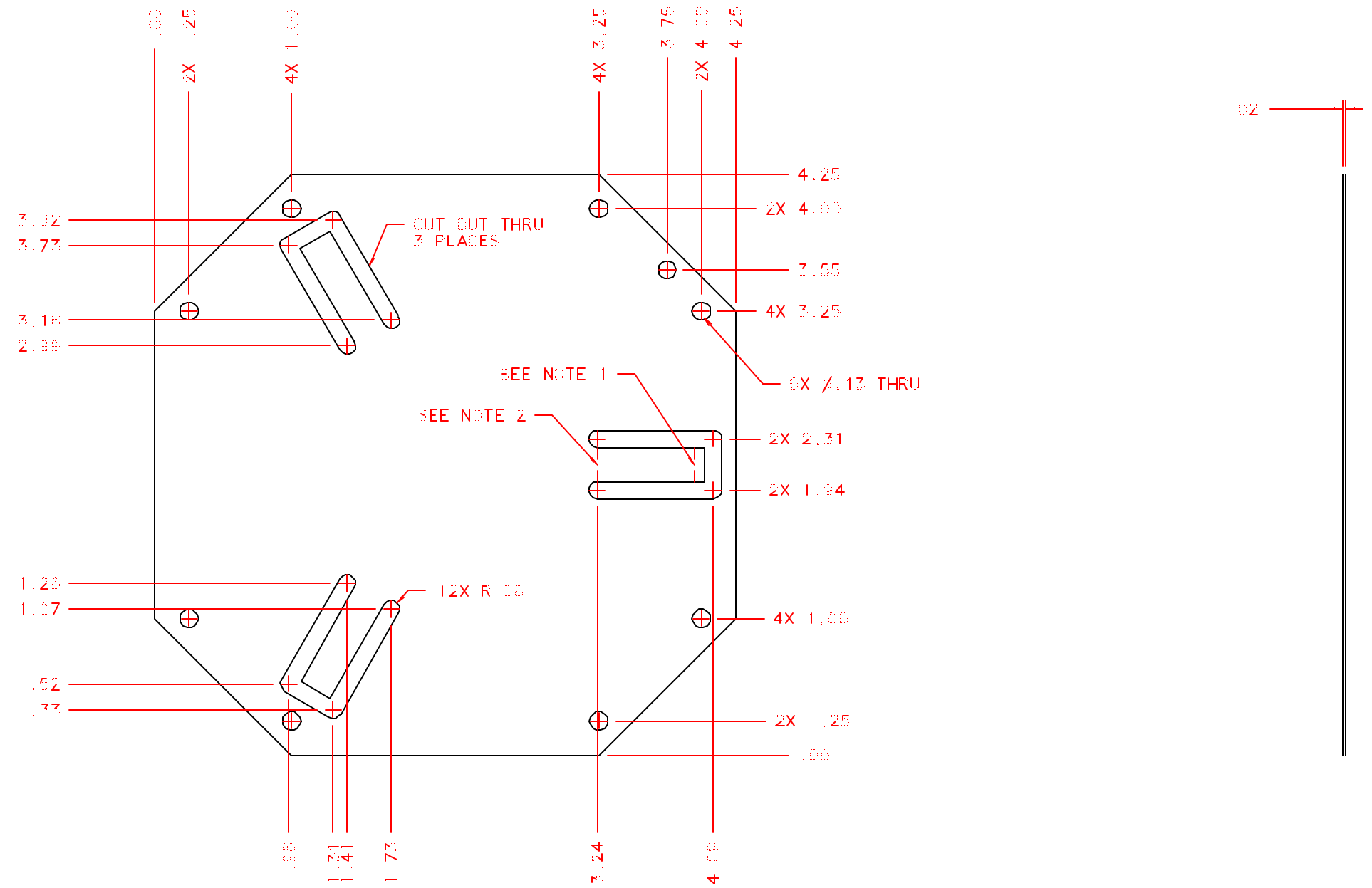
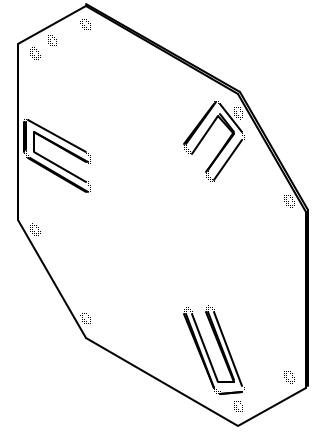


- NOTES:
 1. BEND UP APPROX 30 DEGREES A DISTANCE OF .05 INCHES FROM END TO FORM CURVED CONTACT SURFACE, 3 PLACES
 2. BEND DOWN SO THAT CURVED CONTACT SURFACE IS APPROX .1 INCHES BELOW SURFACE OF PLATE

BILL OF MATERIAL

ITEM	Q'TY	DRW. NO.	DESCRIPTION	MATERIAL
------	------	----------	-------------	----------



MATERIAL: TITANIUM 6AL-V4
 QUANTITY: ONE

	TOLERANCES <small>(UNLESS OTHERWISE NOTED)</small>	DRAWING NUMBER SA1-014	INSTITUTE FOR ASTRONOMY <small>2680 WOODLAND DR., HENRIEVILLE, NY 13342</small>	
	NCXT ASSY X.X ±0.02	DATE: 09/23/99	NAME: PICKETT MIRROR SPRING PLATE INSTRUMENT: SPFX TELESCOPE: IRTT	
SA1-001 X.XX ±0.005	DESIGNER: NCILL	JOB #	SIZE: B	REVISION DATE: FINAL
	±0.5*	MFG:	SCALE: 1:1	SHEET NO. 1 OF 1