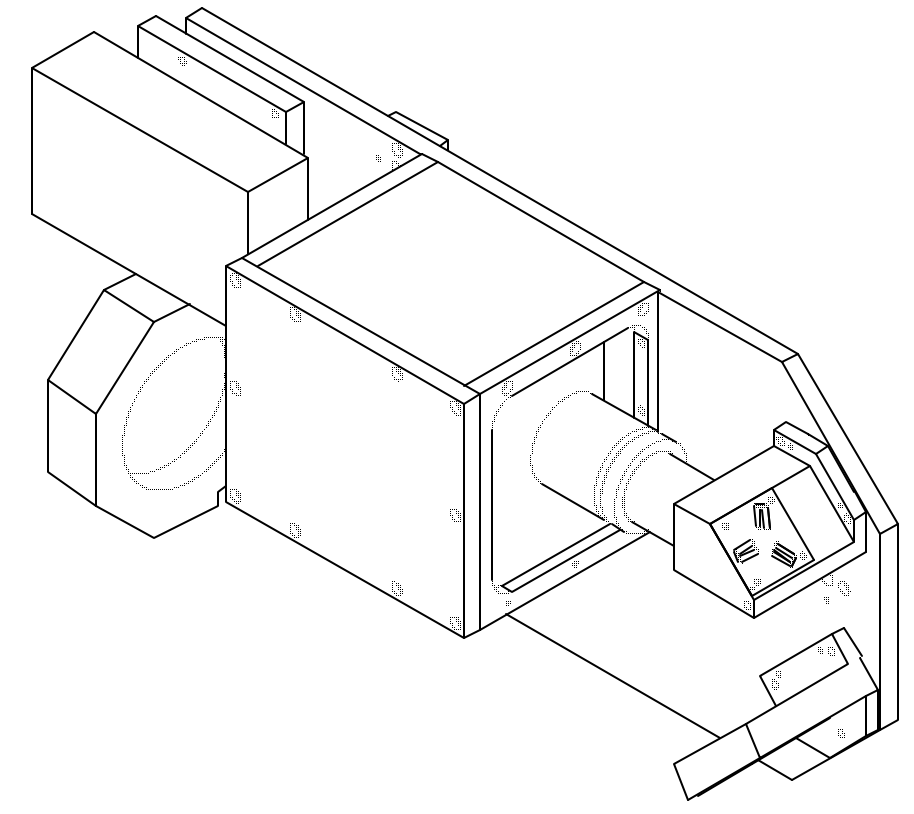
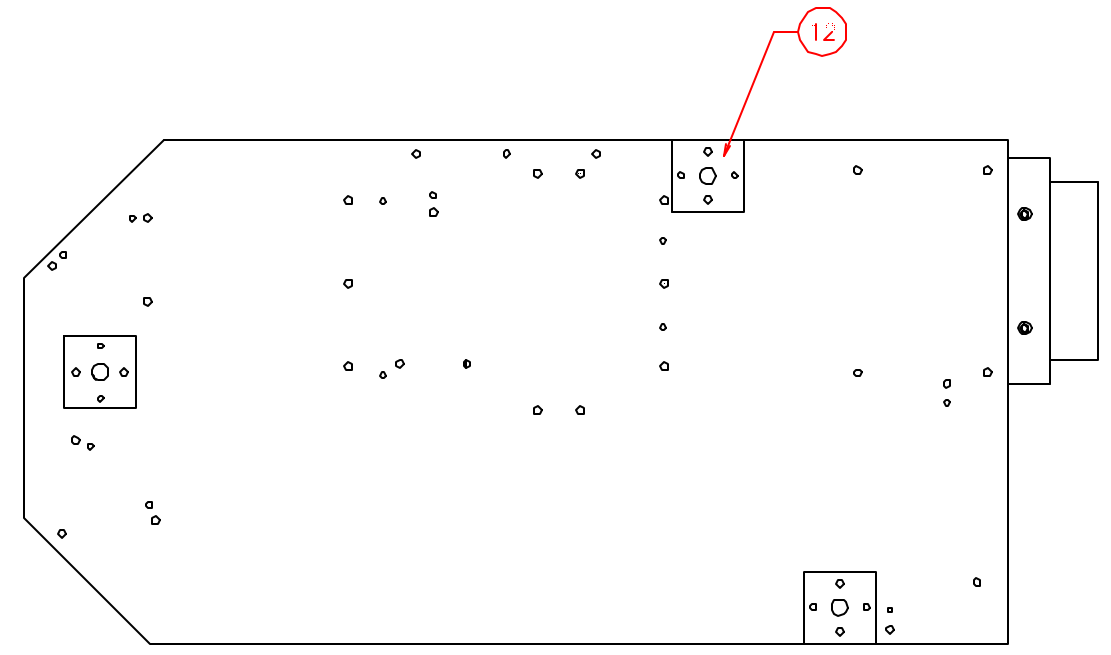


BILL OF MATERIAL

ITEM	Q'TY	DRW. NO.	DESCRIPTION	MATERIAL
------	------	----------	-------------	----------



	TOLERANCES	DRAWING NUMBER	INSTITUTE FOR ASTRONOMY	
	UNLESS OTHERWISE NOTED	SA2-001-2	2680 WILLOW HILL, HENRIETTA, NY 14852	
NEXT ASSY	X.X ±0.02	DATE: 11/01/99	NAME: CALIBX ASSEMBLY	
	X.XX ±0.005	DESIGNER: NCILL	INSTRUMENT: SFCX	
	X.XXX ±0.001	JOB #:	SIZE: B	REVISION DATE: 11/23/99
	< ±0.5°	MFG:	SCALE: 1:2	SHEET NO. 2 OF 2