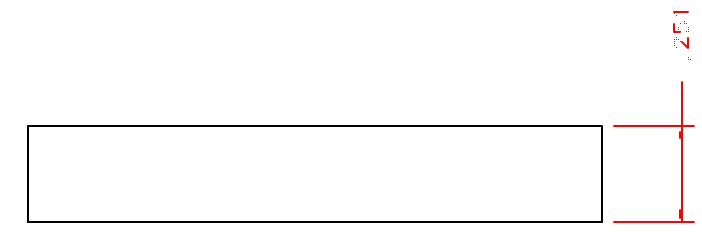
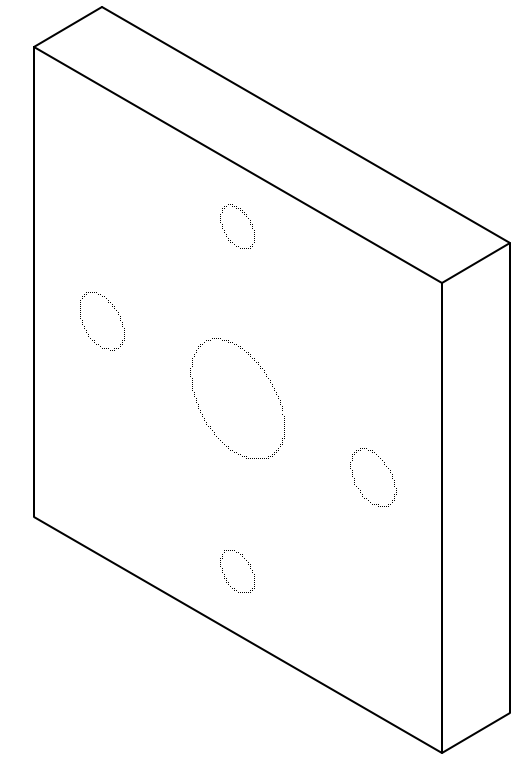
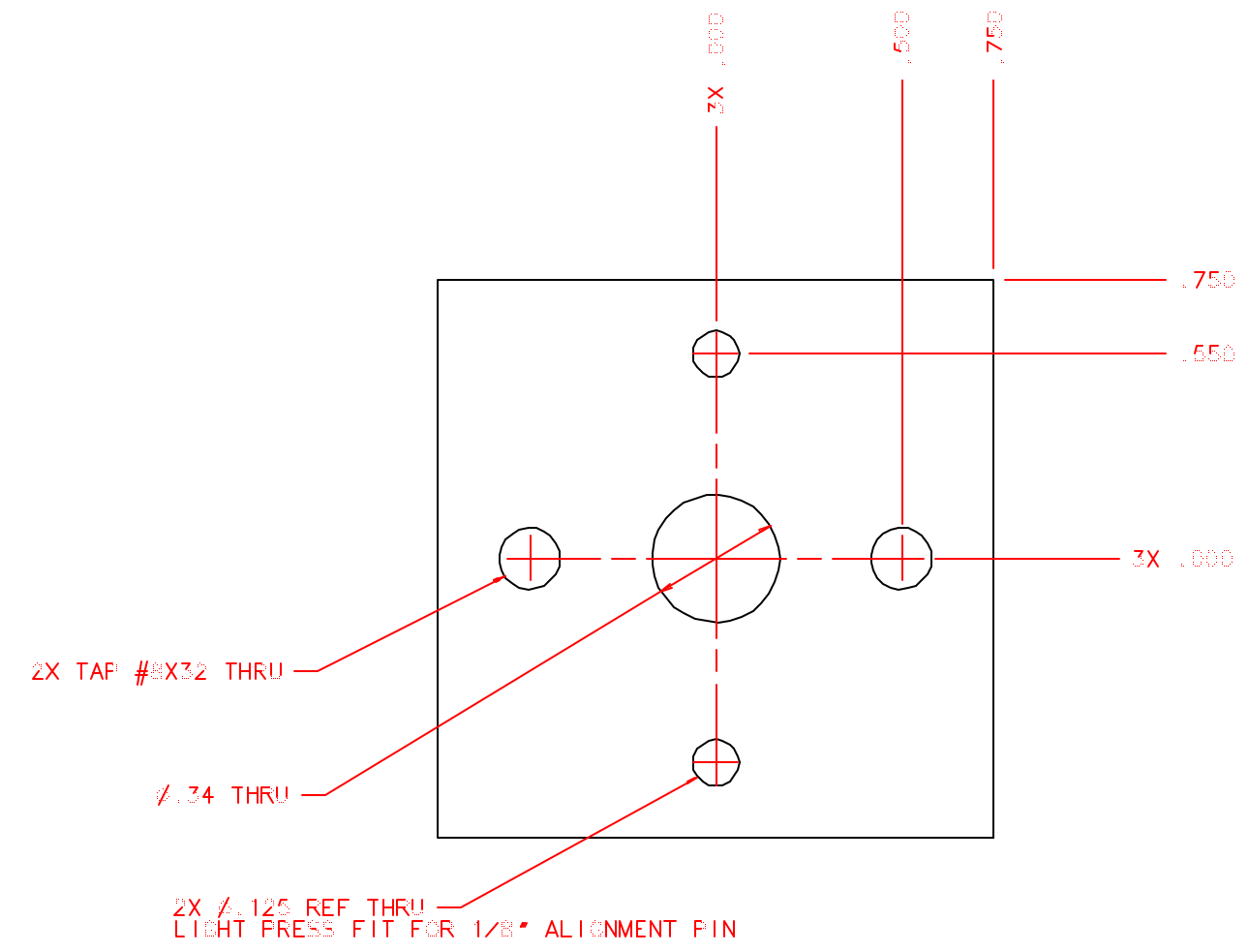
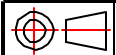


BILL OF MATERIAL

ITEM	Q'TY	DRW. NO.	DESCRIPTION	MATERIAL
------	------	----------	-------------	----------



MATERIAL: ALUM 6061-T6
QUANTITY: THREE

 TOLERANCES <small>(UNLESS OTHERWISE NOTED)</small>		DRAWING NUMBER SA2-012		INSTITUTE FOR ASTRONOMY <small>2680 WILLOW HILL, HONOLULU, HI 96822</small>	
NCXT ASSY	X.X ±0.02	DATE: 11/01/99	NAME: CALS MAIN PAD		
SA2-001	X.XX ±0.005	DESIGNER: NCILL	INSTRUMENT: SPCX		
	X.XXX ±0.001	JOB #:	SIZE: B	REVISION DATE: FINAL	
	< ±0.5*	MFG:	SCALE: 2:1	SHEET NO. 1 OF 1	