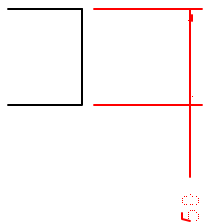
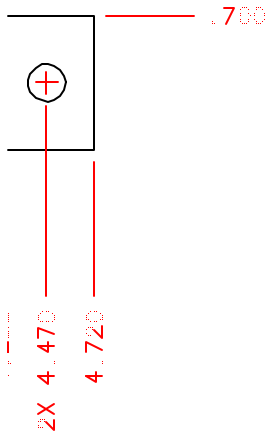
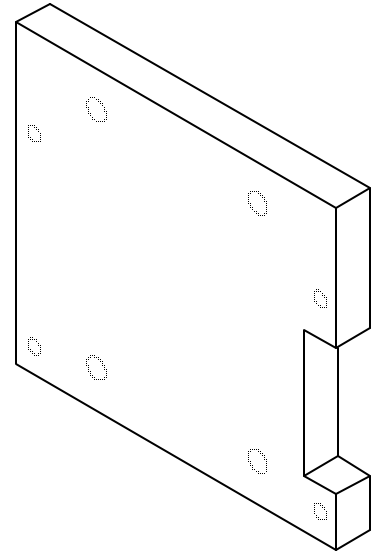
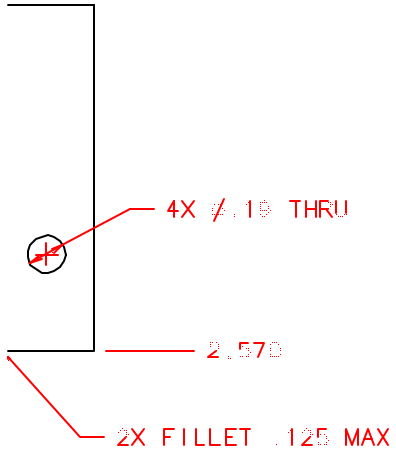


BILL OF MATERIAL

ITEM	QTY	DRW. NO.	DESCRIPTION	MATERIAL
------	-----	----------	-------------	----------

— 4X \varnothing .20 BORE .30 DEEP



MATERIAL: G10 FIBERGLASS
 QUANTITY: ONE

	TOLERANCES <small>IN CH UNLESS OTHERWISE NOTED</small>	DRAWING NUMBER SA2-013	INSTITUTE FOR ASTRONOMY <small>2880 WOOLWAIN DR., HONOLULU, HI 96822</small>
NEXT ASSY	X.X \pm 0.02	DATE: 11/01/00	NAME: CALEX IR POWER MOUNT
SAZ-001	X.XX \pm 0.005	DESIGNED: NCILL	INSTRUMENT: EPCX TELESCOPE: IRTF
	X.XXX \pm 0.001	JDS #:	SIZE: B
	\angle \pm 0.5°	MFB:	REVISION DATE: FINAL
			SCALE: 1:1
			SHEET NO. 1 OF 1

