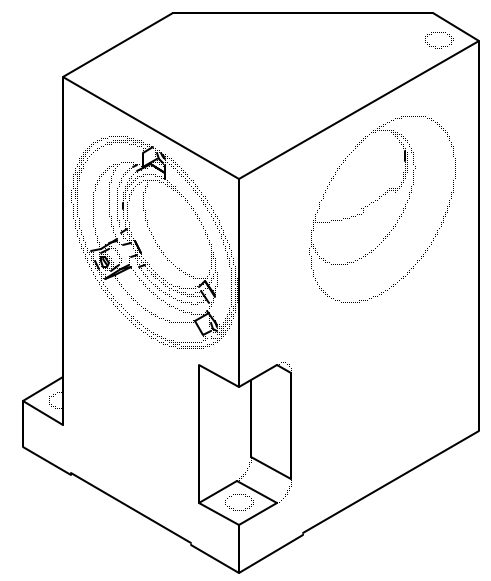
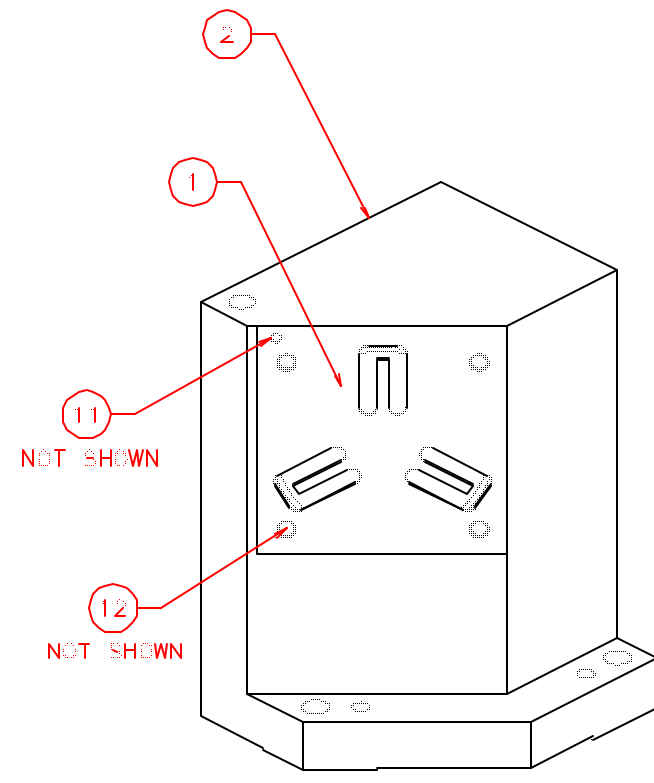
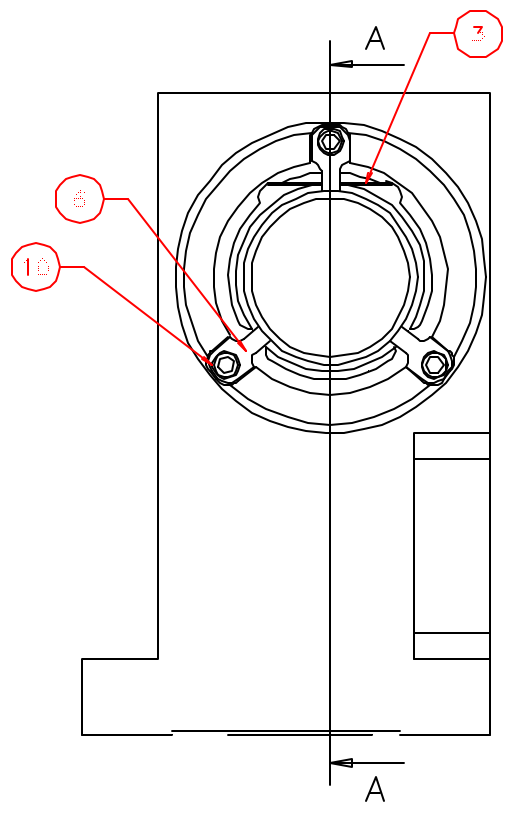
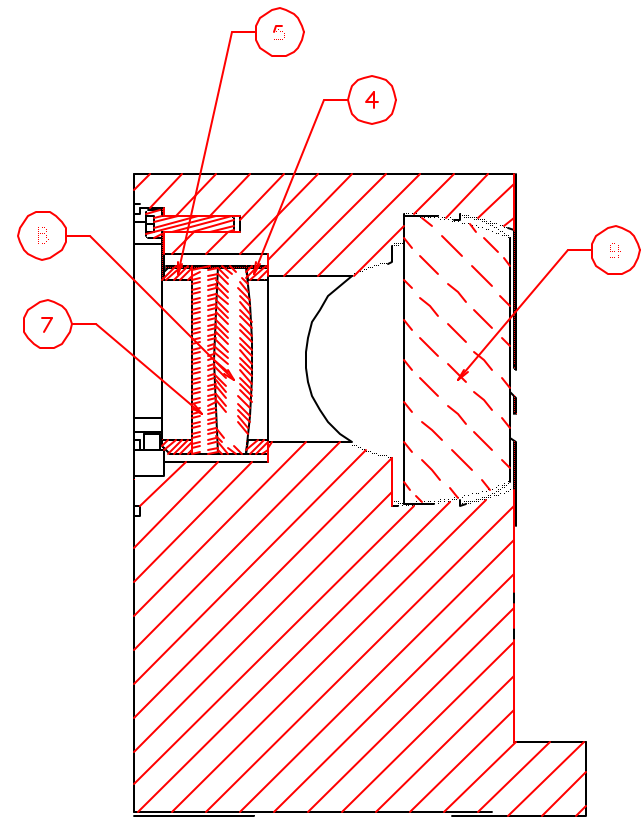


BILL OF MATERIAL

ITEM	Q'TY	DRW. NO.	DESCRIPTION	MATERIAL
1	1	SA3-011	CB MOUNT 1 SPRING PLATE A	TITANIUM
2	1	SA3-012	CB MOUNT BLOCK 1	ALUM 6061-T6
3	1	SA3-013	CB MOUNT 1 SPRING PLATE B	TI OR SI-ERNZ
4	1	SA3-014	CB MOUNT 1 DOUULET SEAT	ALUM 6061-T6
5	1	SA3-015	CB MOUNT 1 DOUULET SPADER	ALUM 6061-T6
6	3	SA3-016	CB MOUNT 1 SPRING CLIP	TI OR SI-ERNZ
7	1	L1F	LENS 1 : PLAND-CONCAVE	LI FLUORIDE
8	1	B1	LENS 2 : B1-CONVEX	EA FLOURIDE
9	1	02MP0000/03E	FOLD MIRROR 1	LE60
10	3		#2X58 SOCKET HEAD CAP SCREW, L=.25	SS
11	1		1/16" ALIGNMENT PIN, L=.25	SS
12	4		#4X40 SOCKET HEAD CAP SCREW, L=.375	SS



QUANTITY: ONE

	TOLERANCES <small>(UNLESS OTHERWISE NOTED)</small>	DRAWING NUMBER SA3-001	INSTITUTE FOR ASTRONOMY <small>2680 WOODLAWN DR., HENRIEVILLE, NY 13352</small>	
	NCXT ASSY X.X ±0.02	DATE: 10/18/99	NAME: CB MOUNT 1 ASSEMBLY	
SA3-001 X.XX ±0.005	DESIGNER: NCILL	INSTRUMENT: SPCX TELESCOPE: IRTT		
X.XXX ±0.001	JOB #	SIZE: B	REVISION DATE: FINAL	
< ±0.5*	MFG:	SCALE: 1:1	SHEET NO. 1 OF 1	