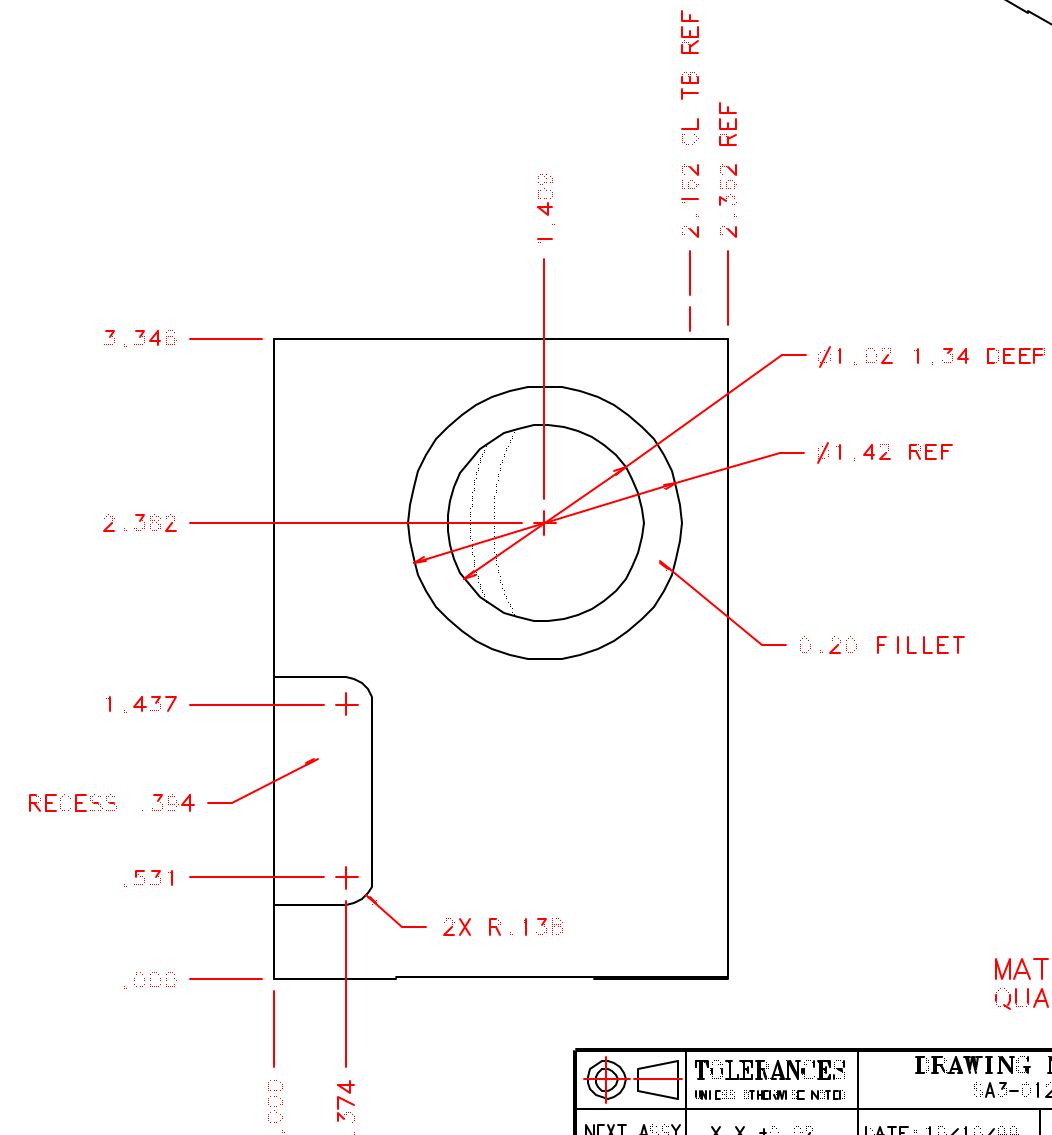
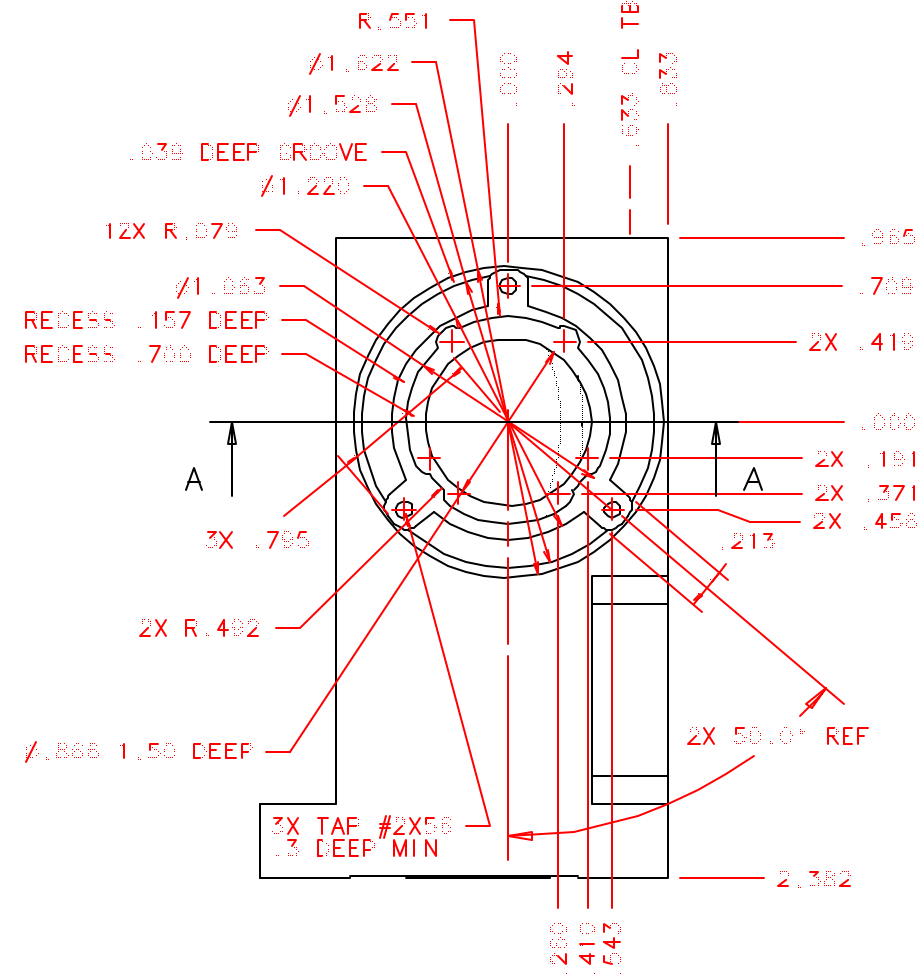
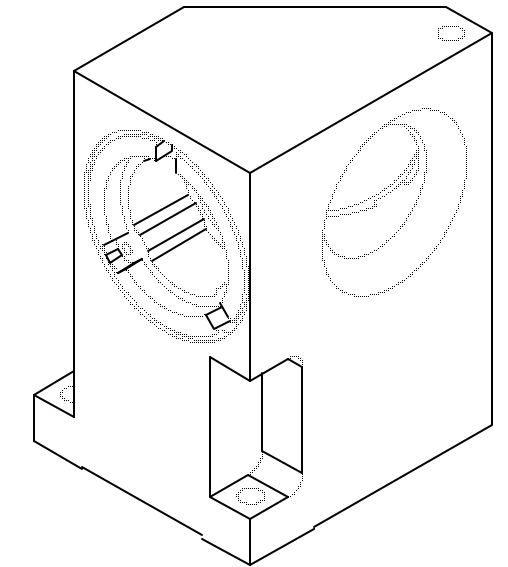
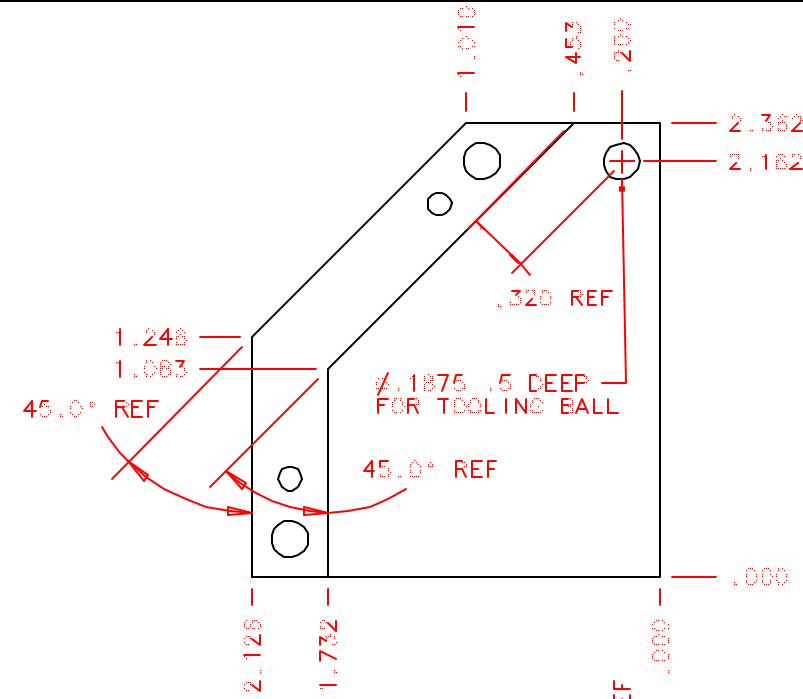


BILL OF MATERIAL

ITEM	Q'TY	DRW. NO.	DESCRIPTION	MATERIAL
------	------	----------	-------------	----------



MATERIAL: ALUM 6061 T-6
 QUANTITY: ONE

TOLERANCES (UNLESS OTHERWISE NOTED)		DRAWING NUMBER SA3-012-1		INSTITUTE FOR ASTRONOMY 2680 WOODLAND DR., HENNELLO, RI 04622	
NCXT ASSY	X.X ±0.02	DATE: 10/18/99	NAME: CE MOUNT BLOCK 1		
SA3-001	X.XX ±0.005	DESIGNER: NCILL	INSTRUMENT: SPCX		
	X.XXX ±0.001	JOB #:	SIZE: E	REVISION DATE: FINAL	
	$\angle \pm 0.5^\circ$	MFG:	SCALE: 1:1	SHEET NO. 1 OF 2	