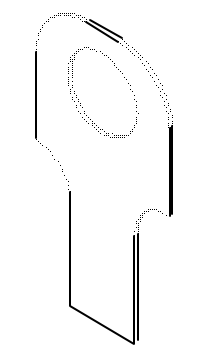
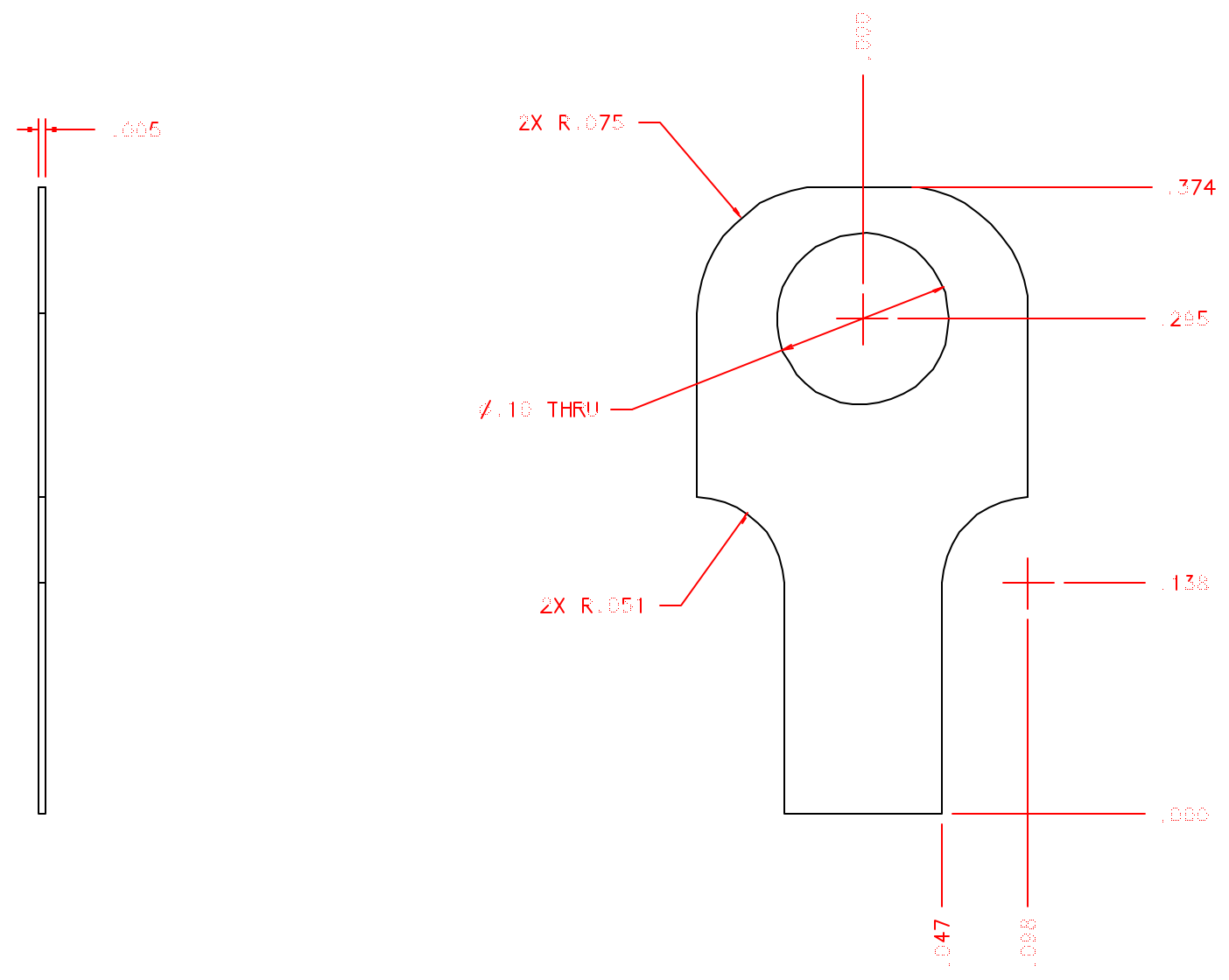


BILL OF MATERIAL

ITEM	Q'TY	DRW. NO.	DESCRIPTION	MATERIAL
------	------	----------	-------------	----------



MATERIAL: SILICON BRONZE
OR TITANIUM
QUANTITY: THREE

	TOLERANCES <small>(UNLESS OTHERWISE NOTED)</small>	DRAWING NUMBER SA3-016	INSTITUTE FOR ASTRONOMY <small>2680 WOODLAWN DR., HENRIEVILLE, NY 13352</small>	
	NCXT ASSY X.X ±0.02 SA3-001 X.XX ±0.005 X.XXX ±0.001 < ±0.5*	DATE: 12/05/99 DESIGNER: NCILL JOB #: MFG:	NAME: CE MOUNT 1 SPRING CLIP INSTRUMENT: SPCX TELESCOPE: IRTT SIZE: B SCALE: 1:10	REVISION DATE: FINAL SHEET NO. 1 OF 1