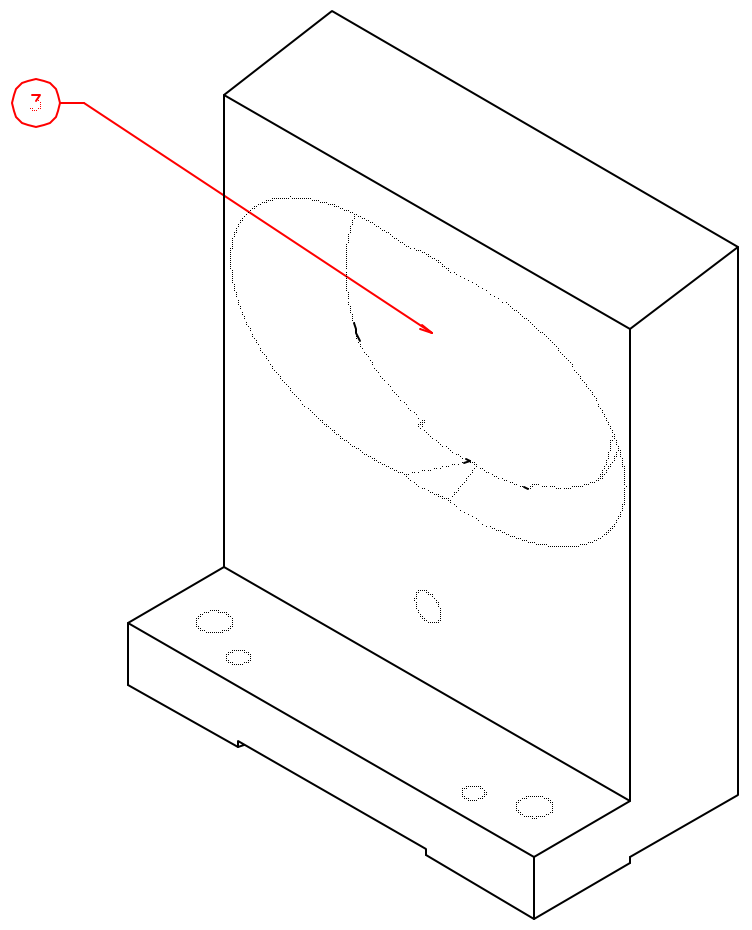
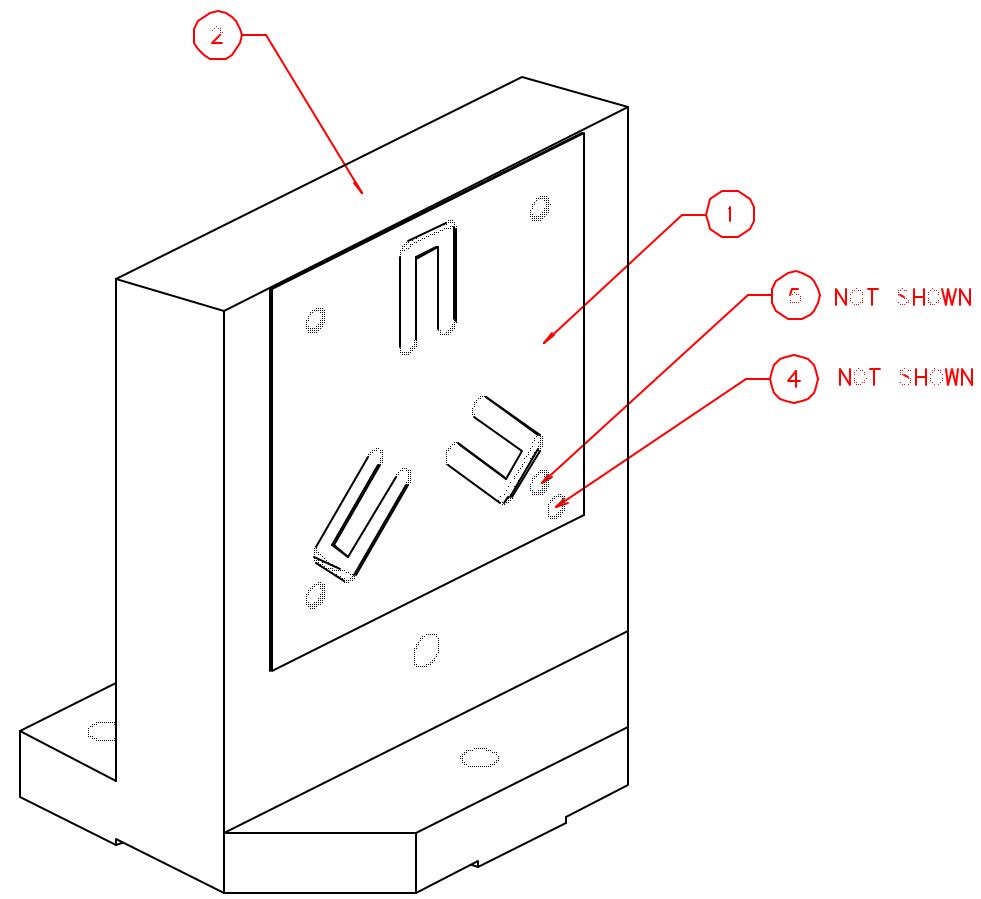


BILL OF MATERIAL

ITEM	Q'TY	DRW. NO.	DESCRIPTION	MATERIAL
1	1	SA4-011	CB MOUNT 2 SPRING FLATE	TITANIUM
2	1	SA4-012	CB MOUNT BLOCK 2	ALUM 6061-T6
3	1	02MF00011	FOLD MIRROR 2	LEGG
4	1		1/16" X 3/8 ALIGNMENT PIN	SS
5	4		#4X40 SOCKET HEAD CAP SCREW, L=.5	SS



QUANTITY: ONE

	TOLERANCES <small>(UNLESS OTHERWISE NOTED)</small>	DRAWING NUMBER SA4-001	INSTITUTE FOR ASTRONOMY <small>2680 WOODLAND TR., HENRIEVILLE, NY 13352</small>	
	NCXT ASSY: X.X ±0.02 SAZ-001: X.XX ±0.005	DATE: 10/05/00 DESIGNER: NCILL	NAME: CB MOUNT 2 ASSEMBLY INSTRUMENT: SPCX TELESCOPE: IRTT	SIZE: B SCALE:
	X.XXX ±0.001 < ±0.5°	JOB #: MFG:		