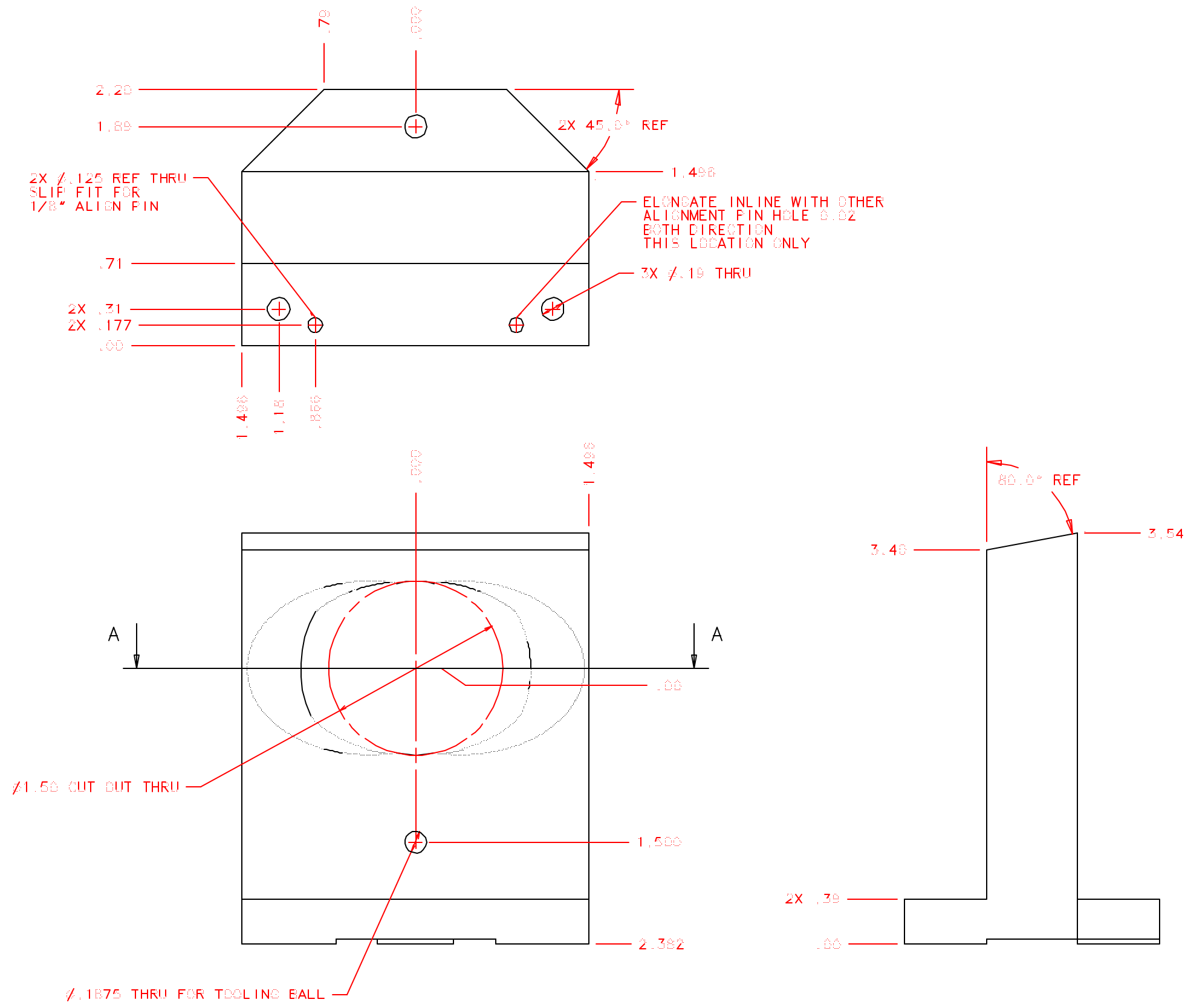
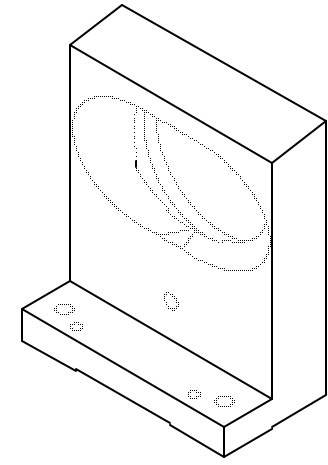


BILL OF MATERIAL				
ITEM	Q'TY	DRW. NO.	DESCRIPTION	MATERIAL



MATERIAL: ALUM 6061-T6  
 QUANTITY: ONE

	<b>TOLERANCES</b> UNLESS OTHERWISE NOTED	<b>DRAWING NUMBER</b> SA4-012-1	<b>INSTITUTE FOR ASTRONOMY</b> 2680 WOODLAND DR., HENNELLOU, RI 02822	
	NCXT ASSY X.X $\pm$ 0.02	DATE: 12/05/99	NAME: CE MOUNT BLOCK 2	
SA4-001 X.XX $\pm$ 0.005	DESIGNER: NCILL	INSTRUMENT: SPCX	TELESCOPE: IRTT	
X.XXX $\pm$ 0.001	JOB #:	SIZE: B	REVISION DATE: FINAL	
$\angle$ $\pm$ 0.5°	MFG:	SCALE: 1:1	SHEET NO. 1 OF 3	