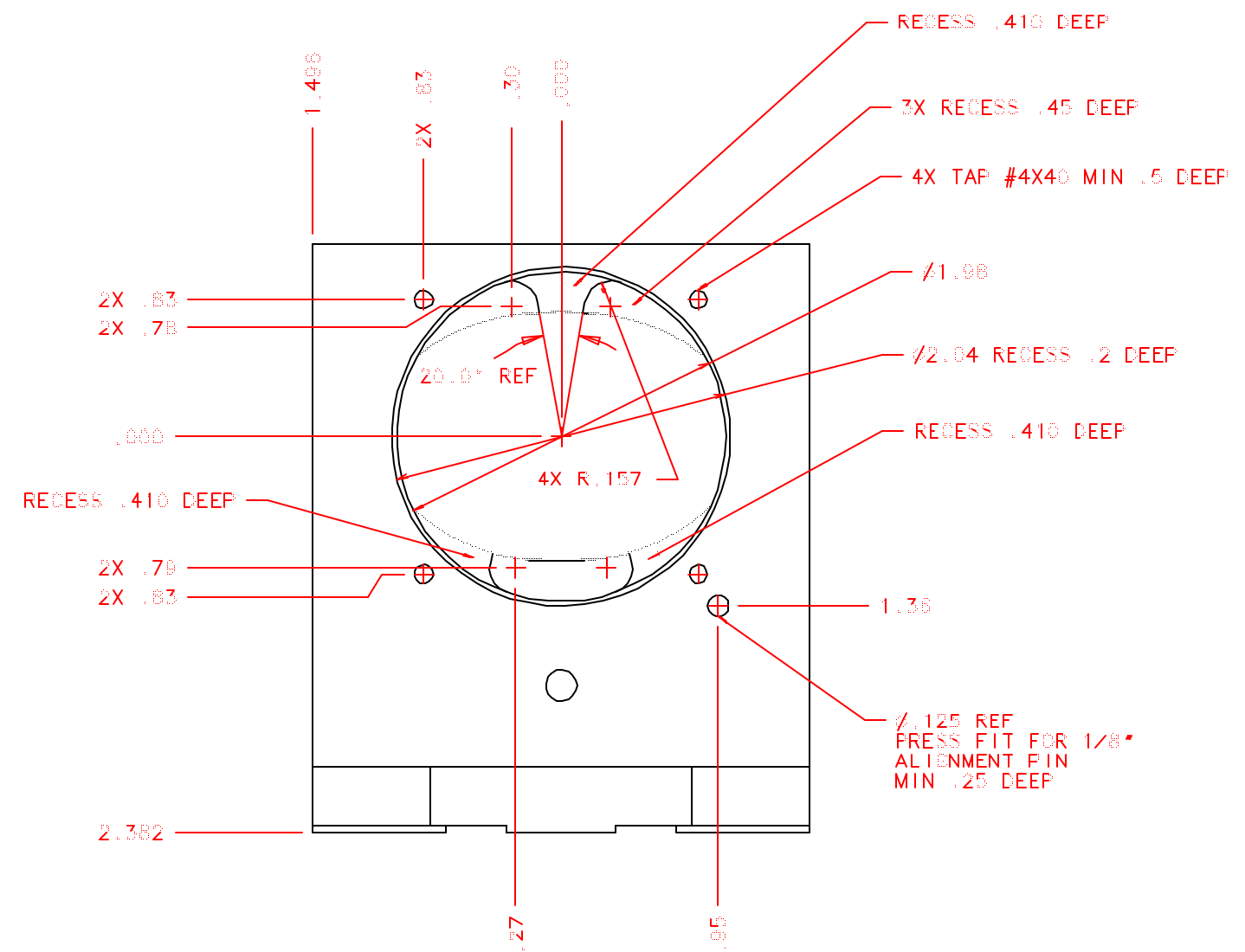
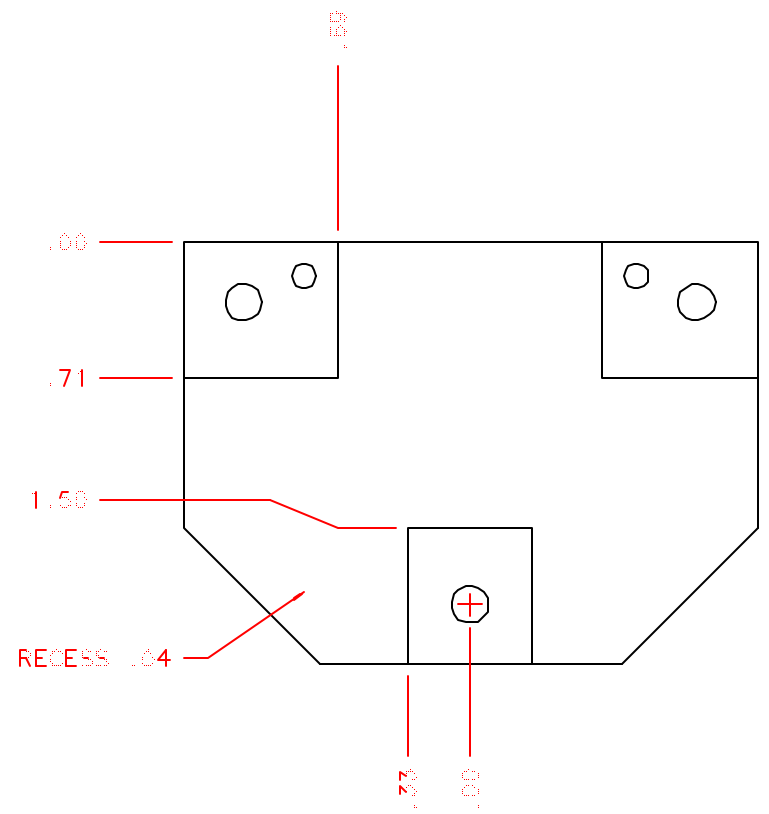
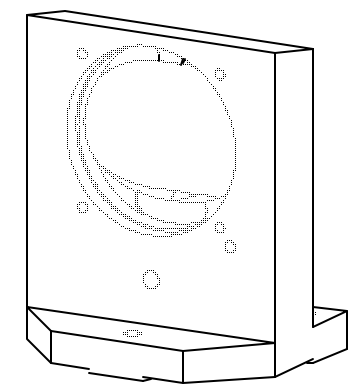


BILL OF MATERIAL

ITEM	Q'TY	DRW. NO.	DESCRIPTION	MATERIAL
------	------	----------	-------------	----------



TOLERANCES <small>(UNLESS OTHERWISE NOTED)</small>		DRAWING NUMBER SA4-012-2		INSTITUTE FOR ASTRONOMY <small>2680 WILLOW HILL, HENRIEVILLE, NY 13352</small>	
NCXT ASSY	X.X ±0.02	DATE:	10/05/00	NAME: CE MOUNT BLOCK 2	
SA4-001	X.XX ±0.005	DESIGNER:	NCILL	INSTRUMENT: SPCX	
	X.XXX ±0.001	JOB #:		SIZE: B	REVISION DATE: FINAL
	<math>\angle \pm 0.5^\circ</math>	MFG:		SCALE: 1:1	SHEET NO. 2 OF 3