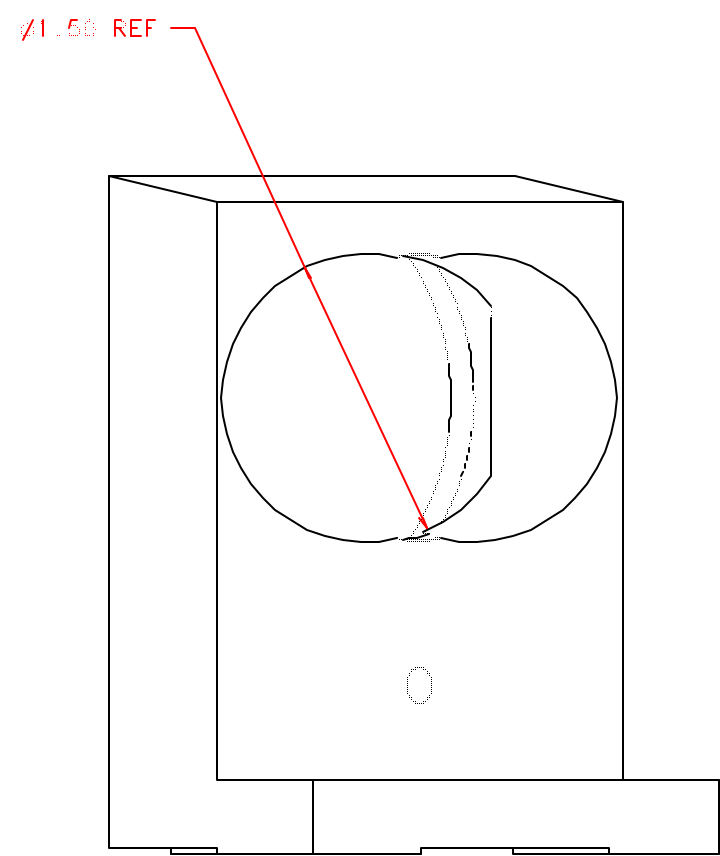
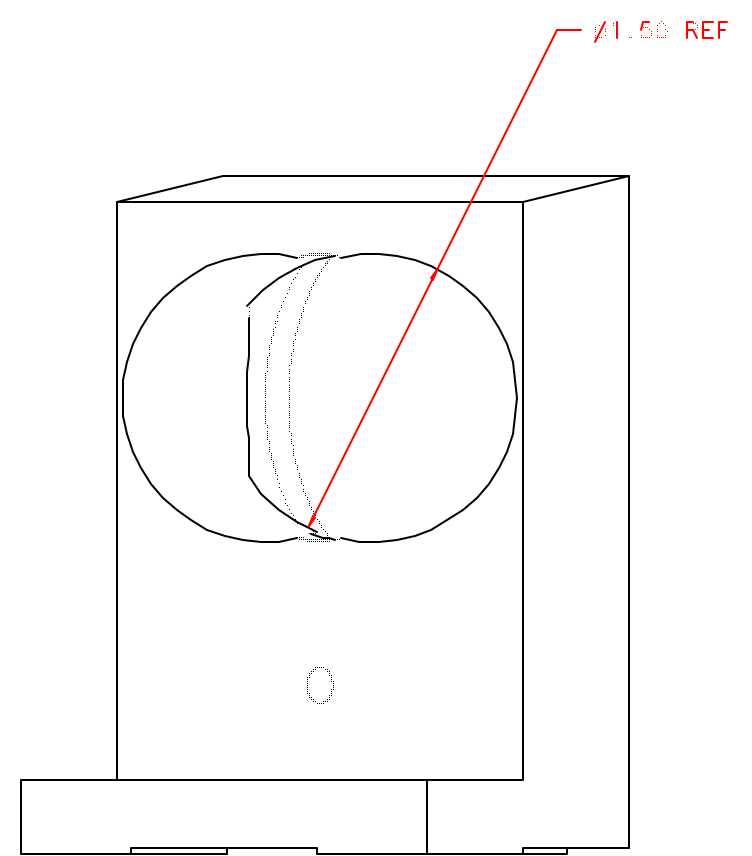
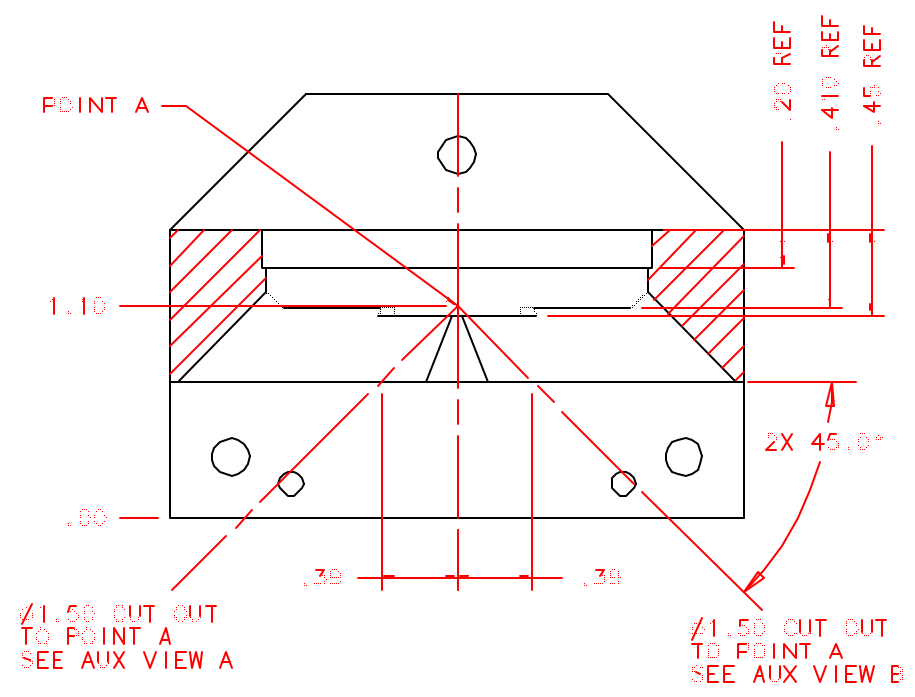


BILL OF MATERIAL

ITEM	Q'TY	DRW. NO.	DESCRIPTION	MATERIAL
------	------	----------	-------------	----------



AUX VIEW A



AUX VIEW B

	TOLERANCES	DRAWING NUMBER	INSTITUTE FOR ASTRONOMY	
	UNLESS OTHERWISE NOTED	SA4-012-3	2680 WILLOW HILL, HENRIETTA, NY 14852	
NCXT ASSY	X.X ±0.02	DATE: 10/05/00	NAME: CE MOUNT BLOCK 2	
SA4-001	X.XX ±0.005	DESIGNER: NCILL	INSTRUMENT: SPCX	
	X.XXX ±0.001	JOB #:	SIZE: B	REVISION DATE: FINAL
	< ±0.5°	MFG:	SCALE: 1:1	SHEET NO. 3 OF 3