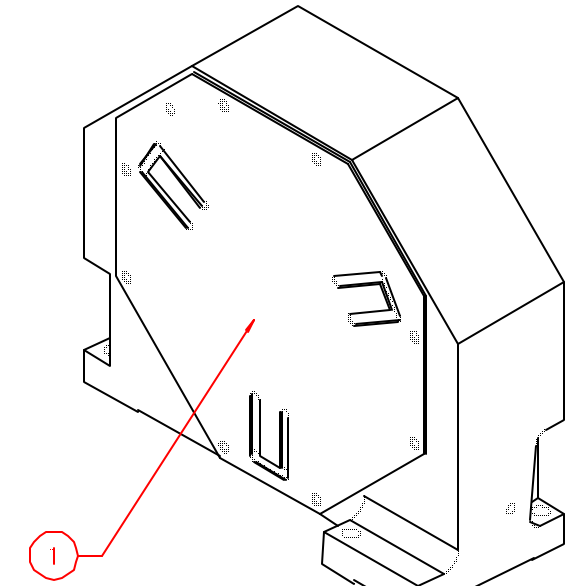


{SA5-011 REMOVED}

BILL OF MATERIAL				
ITEM	Q'TY	DRW. NO.	DESCRIPTION	MATERIAL
1	1	SA5-011	CE MOUNT 3 SPRING PLATE A	TITANIUM
2	1	SA5-012	CE MOUNT 3 SPRING PLATE B	TITANIUM
3	1	SA5-013	CE MOUNT BLOCK 3	ALUM 6061-T6
4	1	44580	FRONT SURFACE CONCAVE MIRROR	LEGG
5	1		1/8 X 3/8 ALIGNMENT PIN	SS
6	8		#4X40 SOCKET HEAD CAP SCREW, L= .5	SS



QUANTITY: ONE

	<b>TOLERANCES</b> <small>(UNLESS OTHERWISE NOTED)</small>	<b>DRAWING NUMBER</b> SA5-001	<b>INSTITUTE FOR ASTRONOMY</b> <small>2680 WOODLAND DR., HENRIEVILLE, NY 13342</small>	
	NCXT ASSY X.X ±0.02 SAZ-001 X.XX ±0.005 X.XXX ±0.001 < ±0.5*	DATE: 08/28/09 DESIGNER: NCILL JOB #: MFG:	NAME: CE MOUNT 3 ASSEMBLY INSTRUMENT: SPCX TELESCOPE: IRTT SIZE: B SCALE:	REVISION DATE: FINAL SHEET NO. 1 OF 1