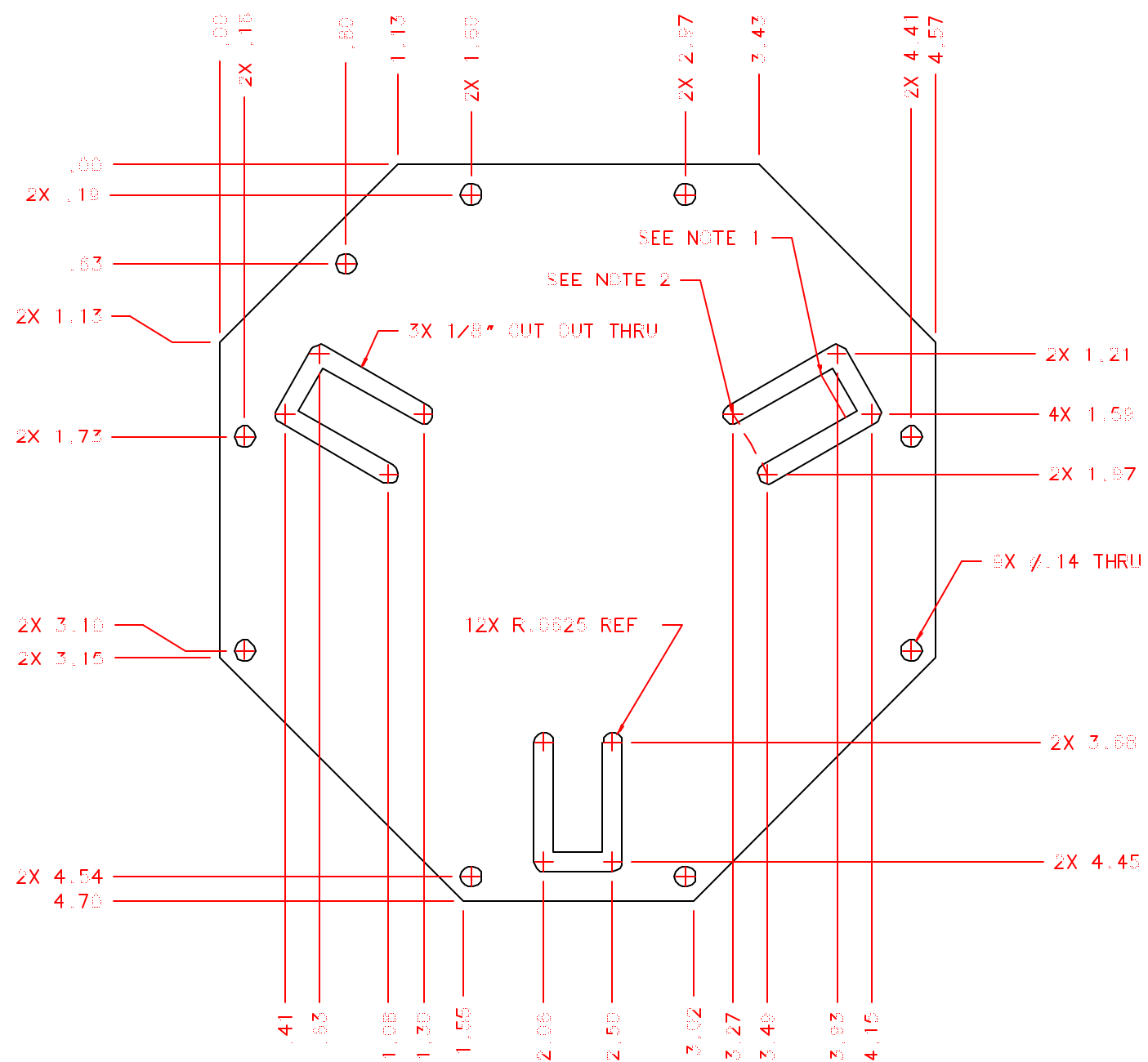
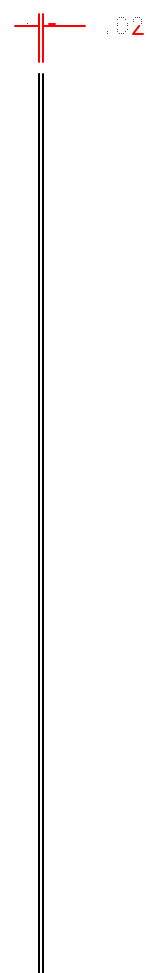


NOTES:

- 1. BEND UP APPROX 30 DEGREES A DISTANCE OF .05 INCHES FROM THE END TO FORM A CURVED CONTACT SURFACE, 3 PLACES.
- 2. BEND DOWN SO THAT CURVED CONTACT SURFACE IS APPROX .05 INCHES BELOW SURFACE OF PLATE, 3 PLACES.

BILL OF MATERIAL				
ITEM	Q'TY	DRW. NO.	DESCRIPTION	MATERIAL



MATERIAL: TITANIUM
 QUANTITY: ONE

	TOLERANCES <small>(UNLESS OTHERWISE NOTED)</small>	DRAWING NUMBER SA5-011	INSTITUTE FOR ASTRONOMY <small>2680 WHEELER DR., HONOLULU, HI 96822</small>	
	NCXT ASSY X.X \pm 0.02	DATE: 08/23/99	NAME: CE MOUNT 3 SPRING PLATE A INSTRUMENT: SPCX TELESCOPE: IRTT	
SA5-001 X.XX \pm 0.005	DESIGNER: NCILL	JOB #	SIZE: B	REVISION DATE: FINAL
	\angle \pm 0.5*	MFG:	SCALE: 1:1	SHEET NO. 1 OF 1