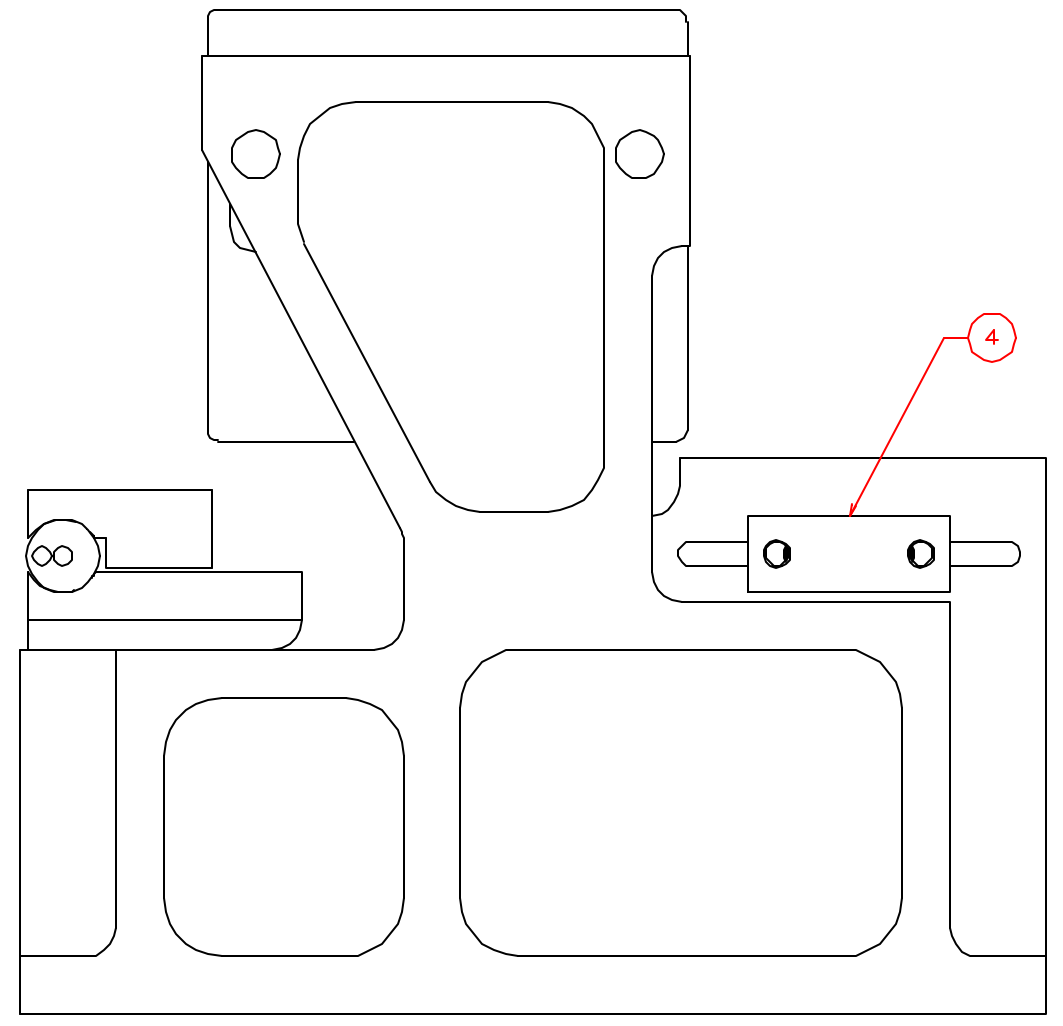
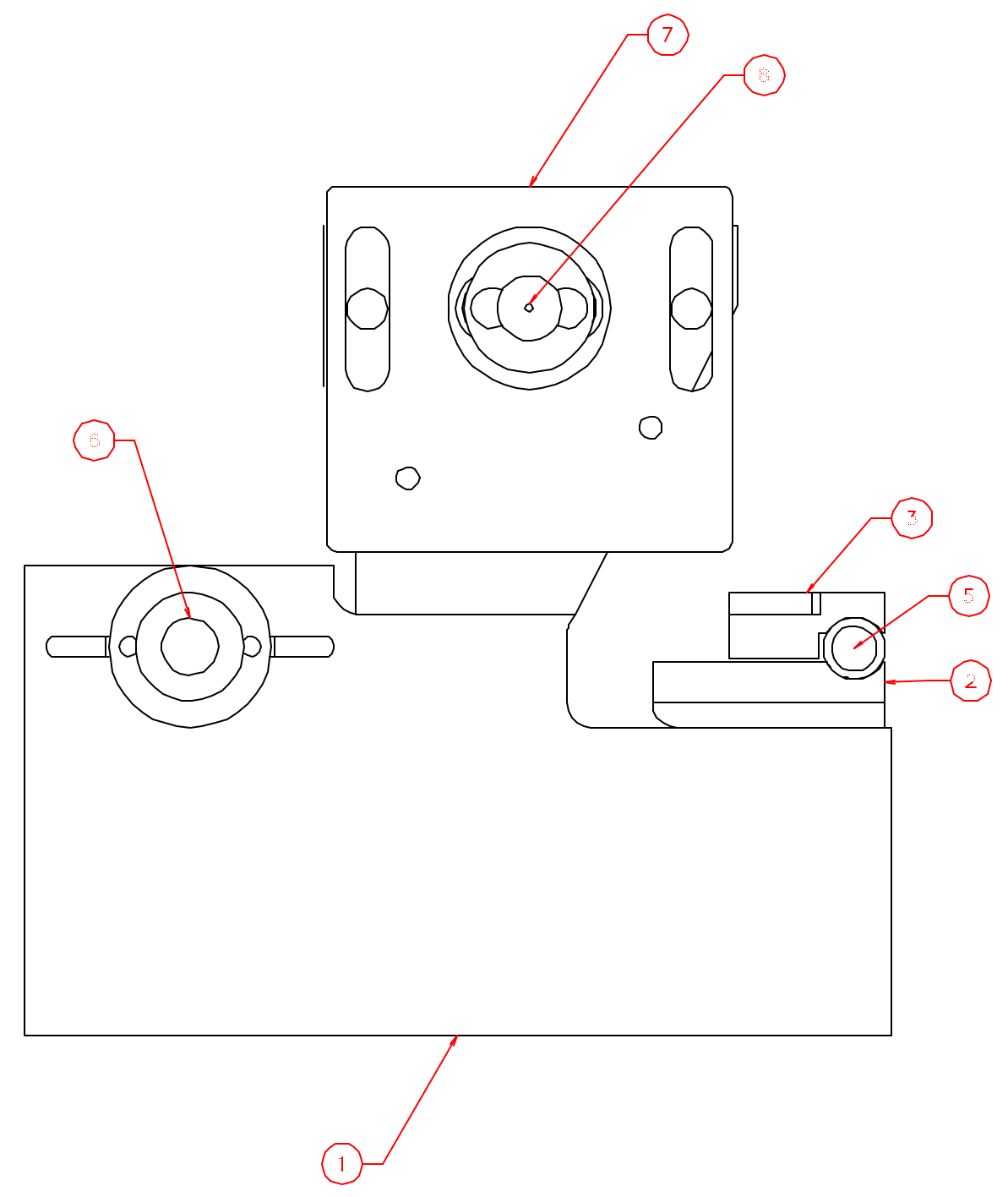
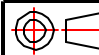


BILL OF MATERIAL

ITEM	Q'TY	IRW. NO.	DESCRIPTION	MATERIAL
1	1	SA6-011	CE LAMP MOUNT	ALUM 6061-T6
2	1	SA6-012	CE ARGON LAMP MOUNT A	ALUM 6061-T6
3	1	SA6-013	CE ARGON LAMP MOUNT B	ALUM 6061-T6
4	1	SA6-014	CE QTH LAMP MOUNT	ALUM 6061-T6
5	1	66048323	ARGON LIGHT SOURCE	
6	1	60045	QTH LAMP	
7	1	50105-2-1000	IR LAMP MOUNT	
8	1	ORIEL 6580	INFRA RED SOURCE	



QUANTITY: ONE

	TOLERANCES <small>(UNLESS OTHERWISE NOTED)</small>	DRAWING NUMBER SA6-001-1	INSTITUTE FOR ASTRONOMY <small>2680 WOODLAND DR., HENRIEVILLE, NY 13352</small>	
	NCXT ASSY X.X ±0.02 SAZ-001 X.XX ±0.005 X.XXX ±0.001 < ±0.5*	DATE: 11/01/99 DESIGNER: NCILL JOB #: MFG:	NAME: CE LAMP MOUNT ASSEMBLY INSTRUMENT: SPCX TELESCOPE: IRTT SIZE: B SCALE: 1:1	REVISION DATE: 11/22/99 SHEET NO. 1 OF 2