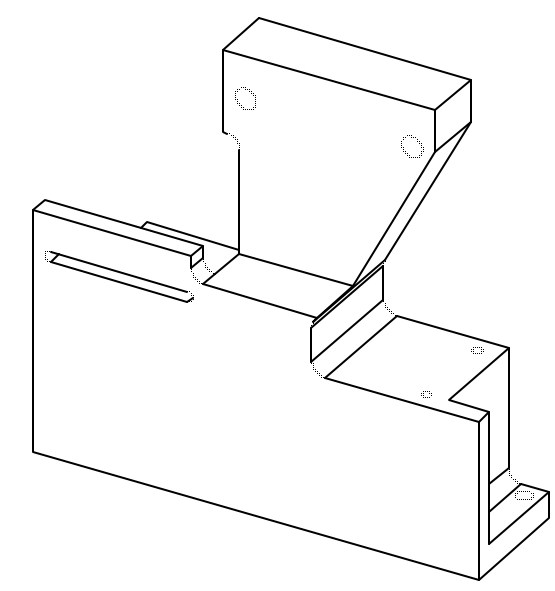
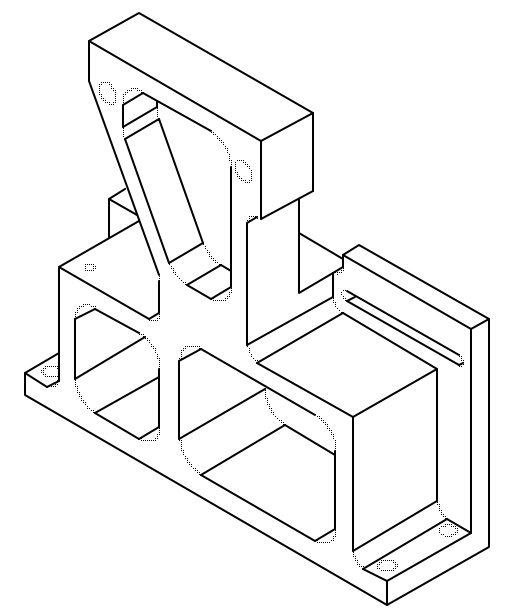
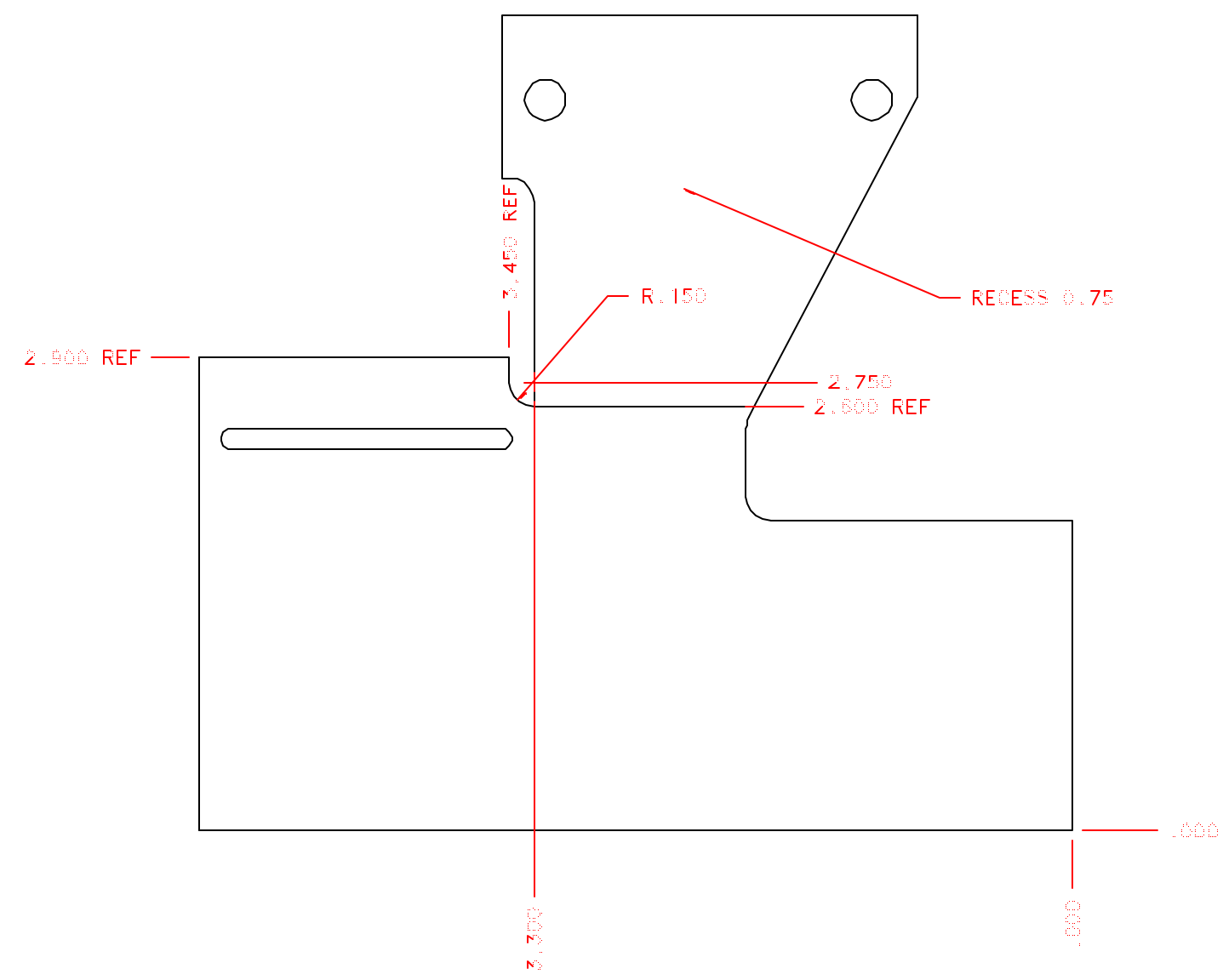
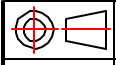


BILL OF MATERIAL

ITEM	Q'TY	DRW. NO.	DESCRIPTION	MATERIAL
------	------	----------	-------------	----------



	TOLERANCES	DRAWING NUMBER	INSTITUTE FOR ASTRONOMY	
	(UNLESS OTHERWISE NOTED)	9A8-011-2	2680 WILLOW HILL, HENRIEVILLE, NY 13352	
	NCXT ASSY X.X ±0.02	DATE: 11/01/99	NAME: CE LAMP MOUNT	
	9A8-001 X.XX ±0.005	DESIGNER: NCILL	INSTRUMENT: SPCX	
	X.XXX ±0.001	JOB #:	SIZE: E	REVISION DATE: 11/23/99
	< ±0.5*	MFG:	SCALE: 1:1	SHEET NO. 2 OF 2