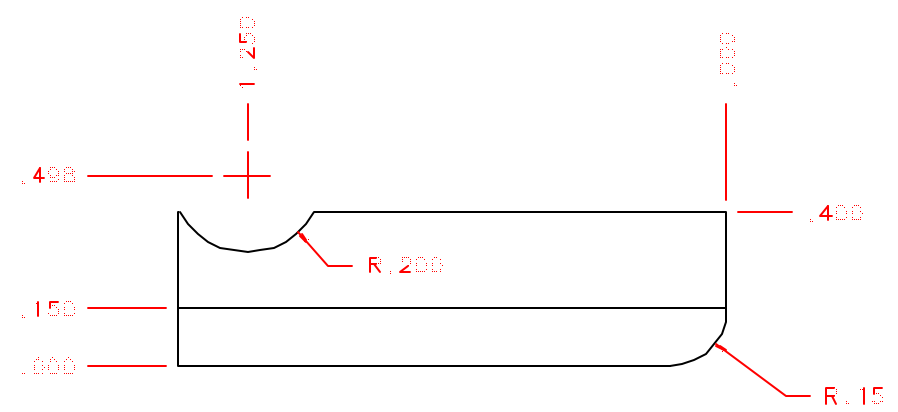
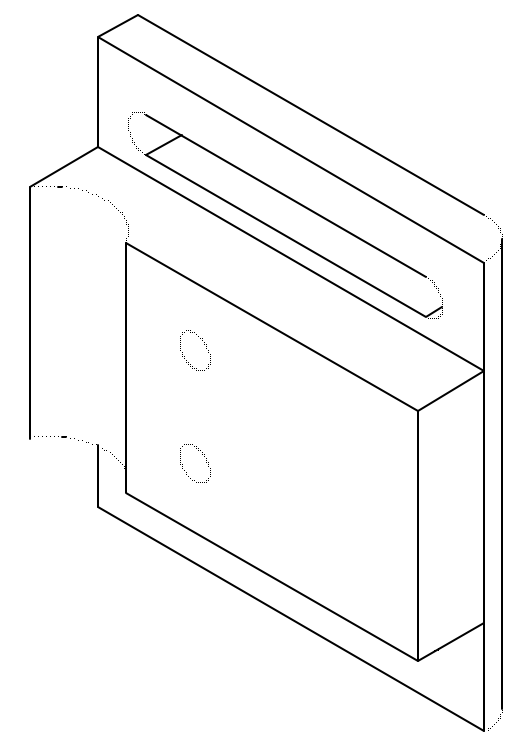
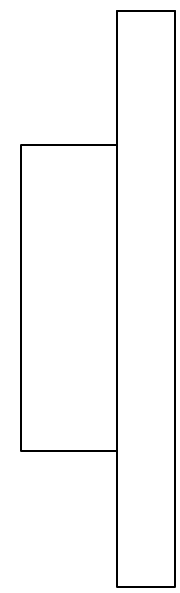
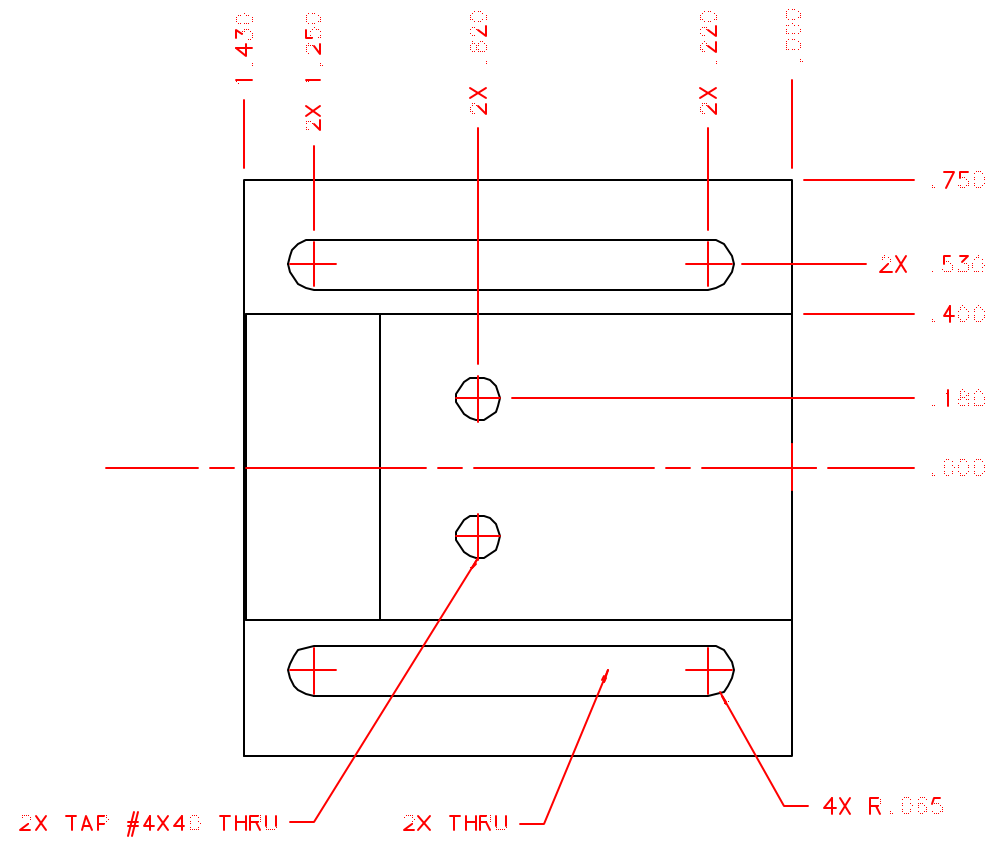


BILL OF MATERIAL

ITEM	Q'TY	DRW. NO.	DESCRIPTION	MATERIAL
------	------	----------	-------------	----------



MATERIAL: ALUM 6061-T6
QUANTITY: ONE

	TOLERANCES <small>(UNLESS OTHERWISE NOTED)</small>	DRAWING NUMBER SA6-012	INSTITUTE FOR ASTRONOMY <small>2680 WOODLAND DR., HENRIEVILLE, NY 13352</small>	
	NCXT ASSY X.X ±0.02 SA6-001 X.XX ±0.005	DATE: 11/01/99 DESIGNER: NCILL	NAME: CE ARGEN LAMP MOUNT A INSTRUMENT: SFCX TELESCOPE: IRTT	SIZE: B SCALE: 2:1
	X.XXX ±0.001 < ±0.5°	JOB #: MFG:		