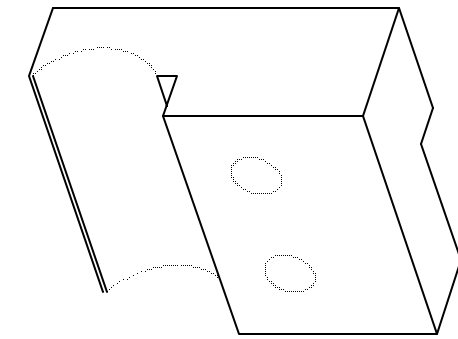
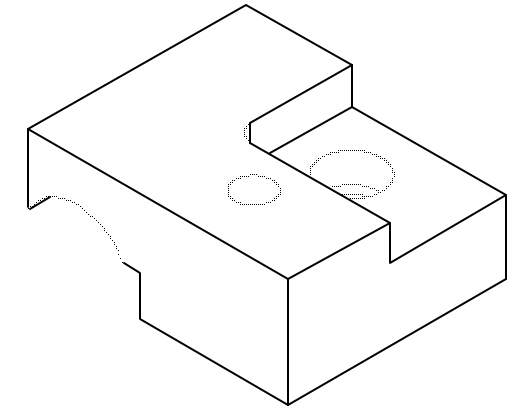
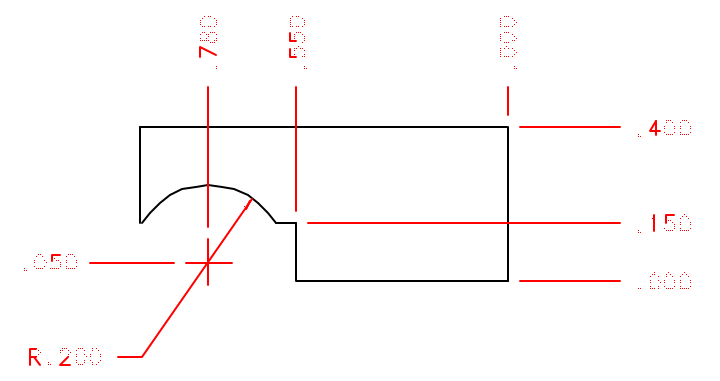
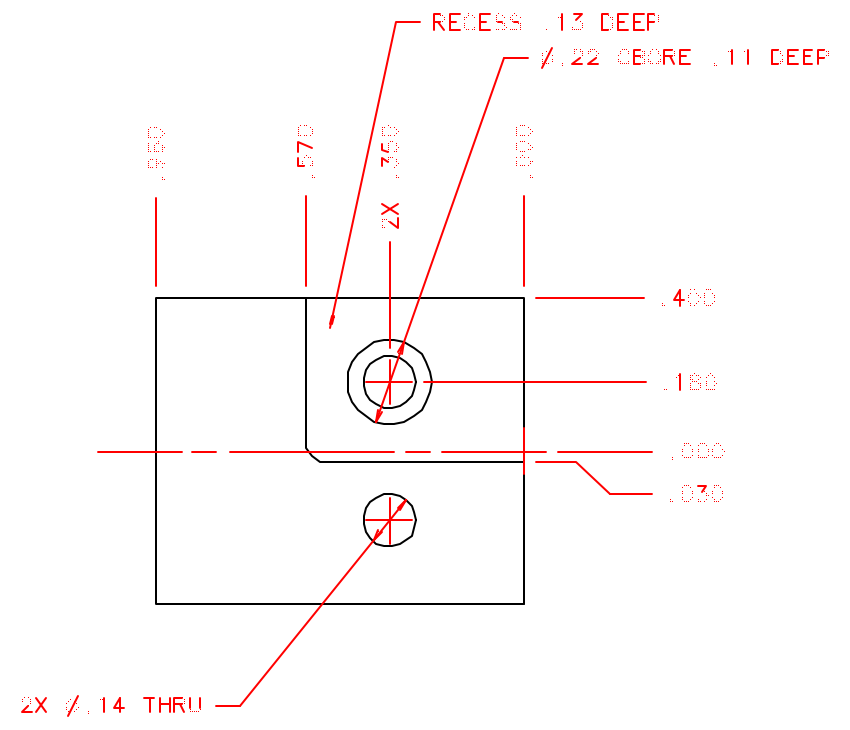


BILL OF MATERIAL

| ITEM | Q'TY | DRW. NO. | DESCRIPTION | MATERIAL |
|------|------|----------|-------------|----------|
|------|------|----------|-------------|----------|



MATERIAL: ALUM 6061-T6
 QUANTITY: ONE

| | | | | |
|--|---|---|---|---|
| | TOLERANCES <small>(UNLESS OTHERWISE NOTED)</small> | DRAWING NUMBER SA6-013 | INSTITUTE FOR ASTRONOMY <small>2680 WOODLAND DR., HENNINGTON, RI 02822</small> | |
| | NCXT ASSY X.X ±0.02 SA6-001 X.XX ±0.005 X.XXX ±0.001 < ±0.5* | DATE: 11/01/99 DESIGNER: NCILL JOB #: MFG: | NAME: CE ARGEN LAMP MOUNT B INSTRUMENT: SFCX TELESCOPE: IRTT SIZE: B SCALE: 2:1 | REVISION DATE: 11/22/99 SHEET NO. 1 OF 1 |