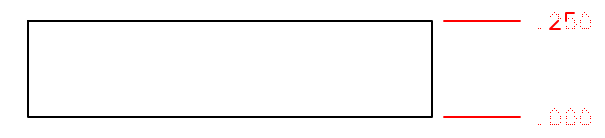
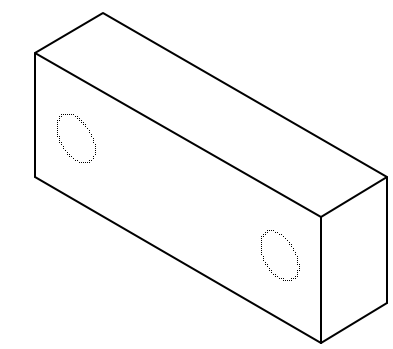
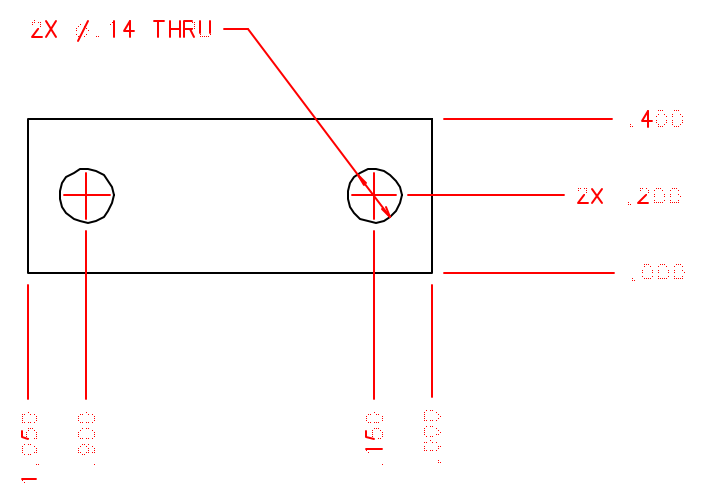


BILL OF MATERIAL

ITEM	Q'TY	DRW. NO.	DESCRIPTION	MATERIAL
------	------	----------	-------------	----------



MATERIAL: ALUM 6061-T6
 QUANTITY: ONE

	TOLERANCES <small>(UNLESS OTHERWISE NOTED)</small>	DRAWING NUMBER SA8-014	INSTITUTE FOR ASTRONOMY <small>2680 WOODLAND DR., HENNELLO, RI 02822</small>	
	NCXT ASSY X.X ±0.02	DATE: 11/01/99	NAME: CE QTH LAMP MOUNT	
SA8-001	X.XX ±0.005	DESIGNER: NCILL	INSTRUMENT: SPCX TELESCOPE: IRTT	
	X.XXX ±0.001	JOB #	SIZE: B	REVISION DATE: FINAL
	< ±0.5*	MFG:	SCALE: 2:1	SHEET NO. 1 OF 1