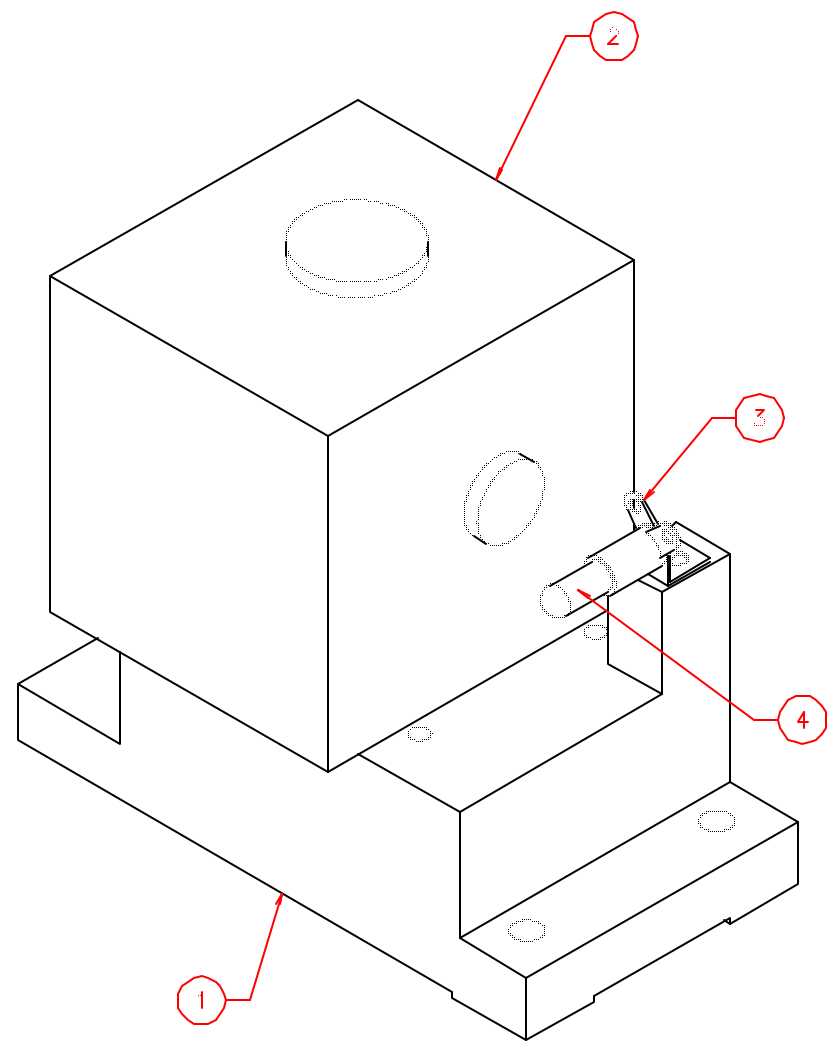
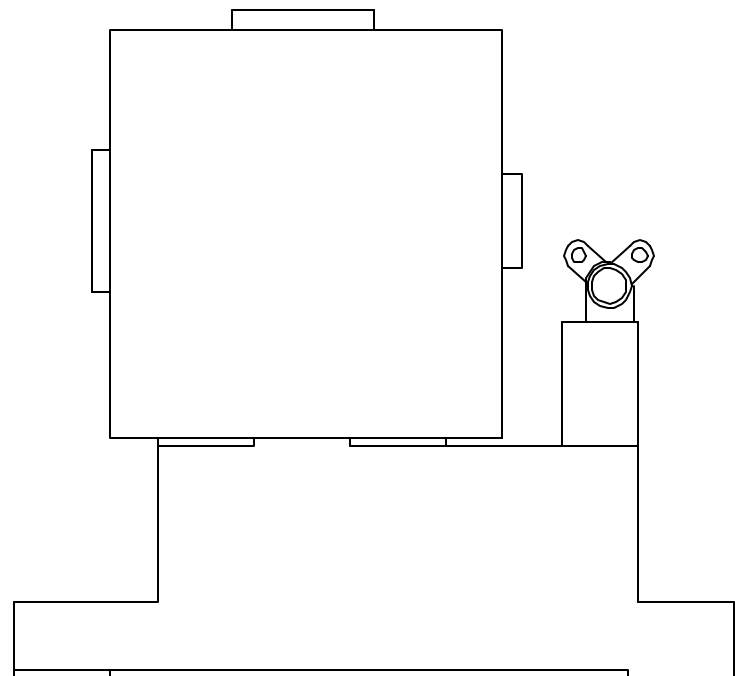


BILL OF MATERIAL

ITEM	Q'TY	IRW. NO.	DESCRIPTION	MATERIAL
1	1	SA7-011	CE INTEGRA SPHERE MOUNT	ALUM 6061-T6
2	1	BA053B7000	INTEGRATING SPHERE CSTM US-020-10	304L FLT ALUM
3	1	90-747-D	MIDGET SCREW BASE LAMPHOLDER - 90F8044	STL/BRASS
4	1	50NB009	MIDGET LAMP	VARIOUS



QUANTITY: ONE

	TOLERANCES <small>(UNLESS OTHERWISE NOTED)</small>	DRAWING NUMBER SA7-001	INSTITUTE FOR ASTRONOMY <small>2680 WOODLAND TR., HENRIETTA, NY 14457</small>	
	NCXT ASSY X.X ±0.02	DATE: 11/01/99	NAME: CE INTEGRA SPHERE ASSEMBLY	
SAZ-001 X.XX ±0.005	DESIGNER: NCILL	SIZE: B	INSTRUMENT: SFCX	
X.XXX ±0.001	JOB #:	SCALE: 1:1	TELESCOPE: IRTT	
< ±0.5*	MFG:	SHEET NO. 1 OF 1	REVISION DATE: FINAL	