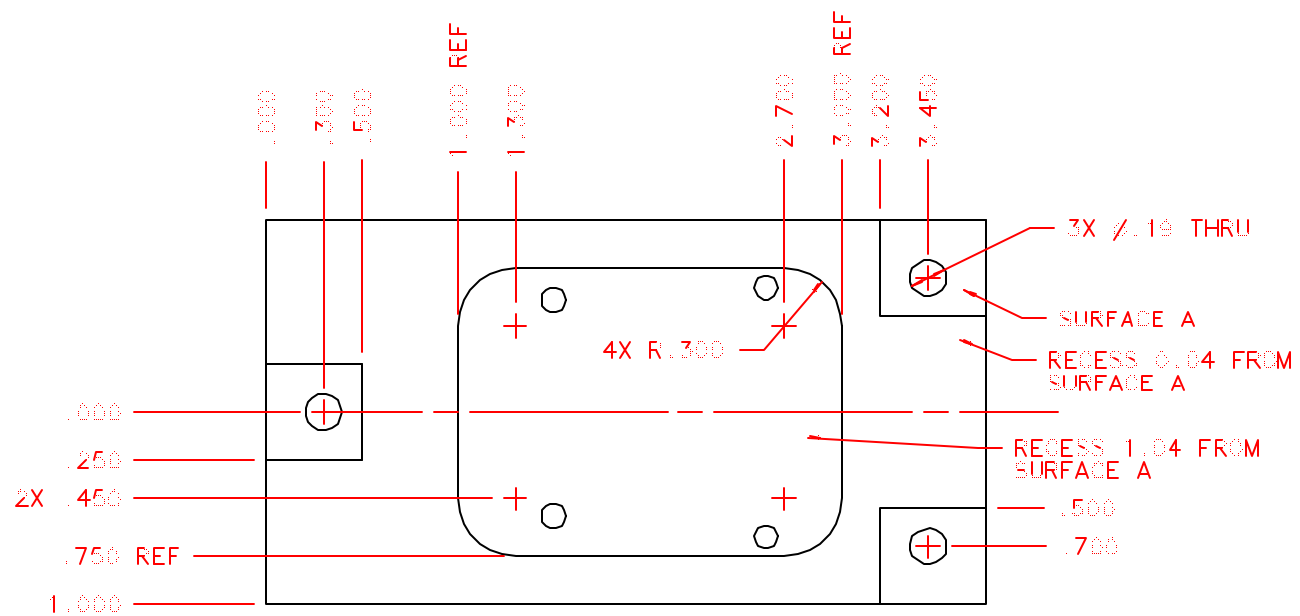
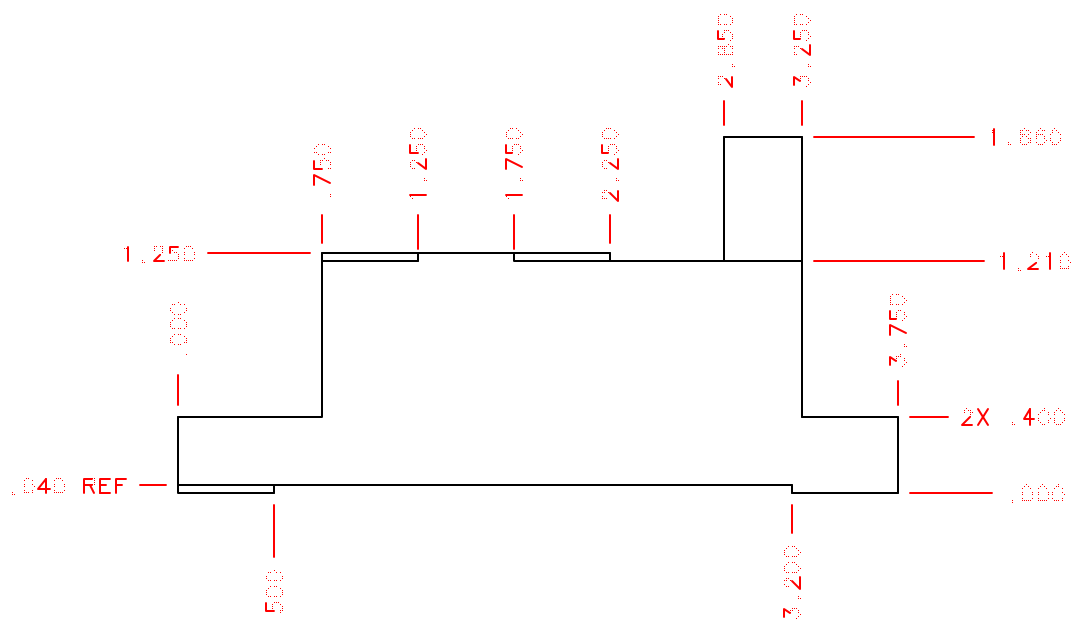
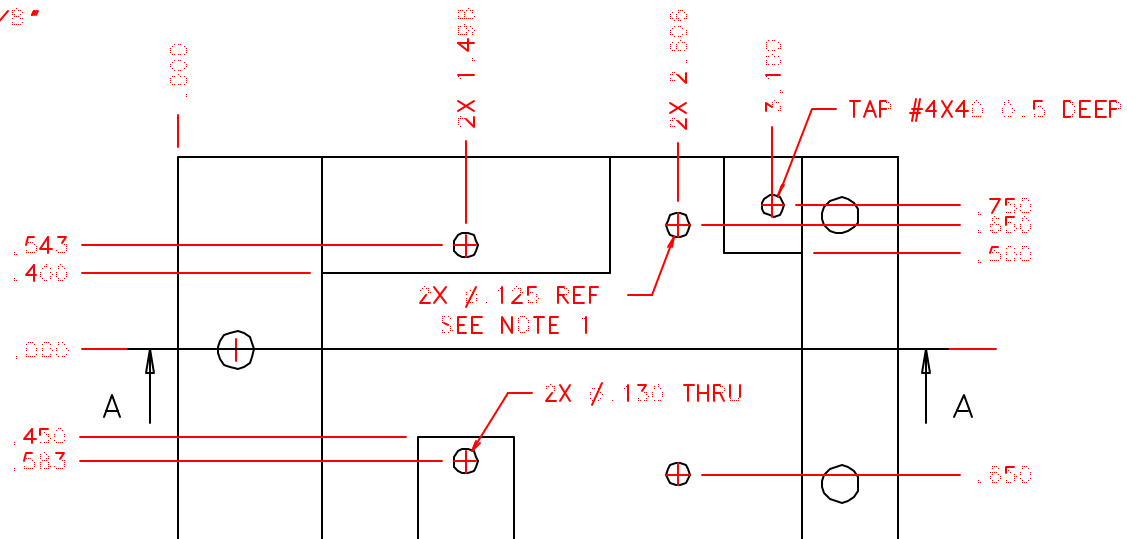
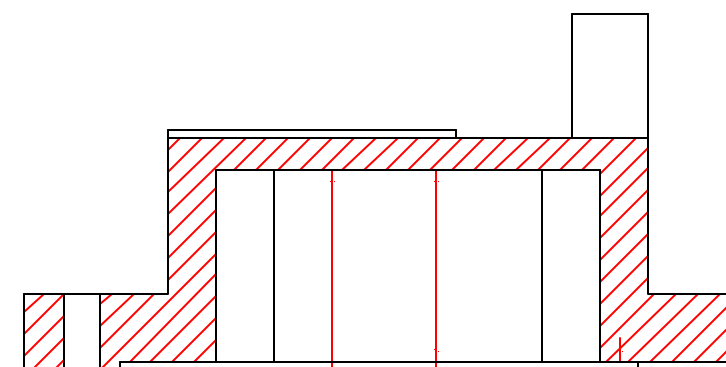
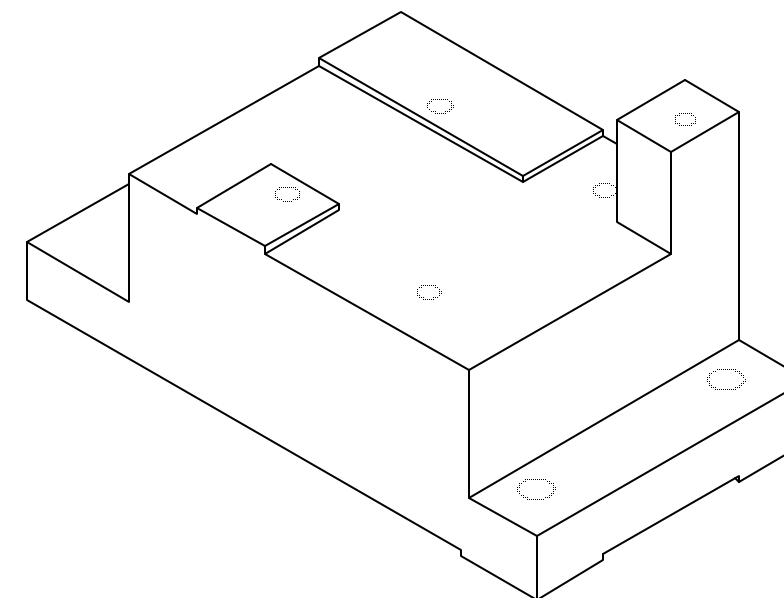


NOTE: 1. PRESS FIT FOR 1/8" ALIGNMENT PIN



BILL OF MATERIAL

ITEM	Q'TY	IRW. NO.	DESCRIPTION	MATERIAL
------	------	----------	-------------	----------



SECTION A - A

MATERIAL: ALUM 6061-T6
QUANTITY: ONE

	TOLERANCES <small>(UNLESS OTHERWISE NOTED)</small>	DRAWING NUMBER SA7-011	INSTITUTE FOR ASTRONOMY <small>2680 WOODLAND DR., HENRIEVILLE, NY 13352</small>	
	NCXT ASSY X.X ±0.02	DATE: 11/01/99	NAME: CE INTORA SPHERIC MOUNT INSTRUMENT: SPFX TELESCOPE: IRTT	
SA7-001 X.XX ±0.005	DESIGNER: NCILL	JOB #	SIZE: B	REVISION DATE: FINAL
X.XXX ±0.001	MFG:	SCALE: 1:1	SHEET NO. 1 OF 1	
$\angle \pm 0.5^\circ$				