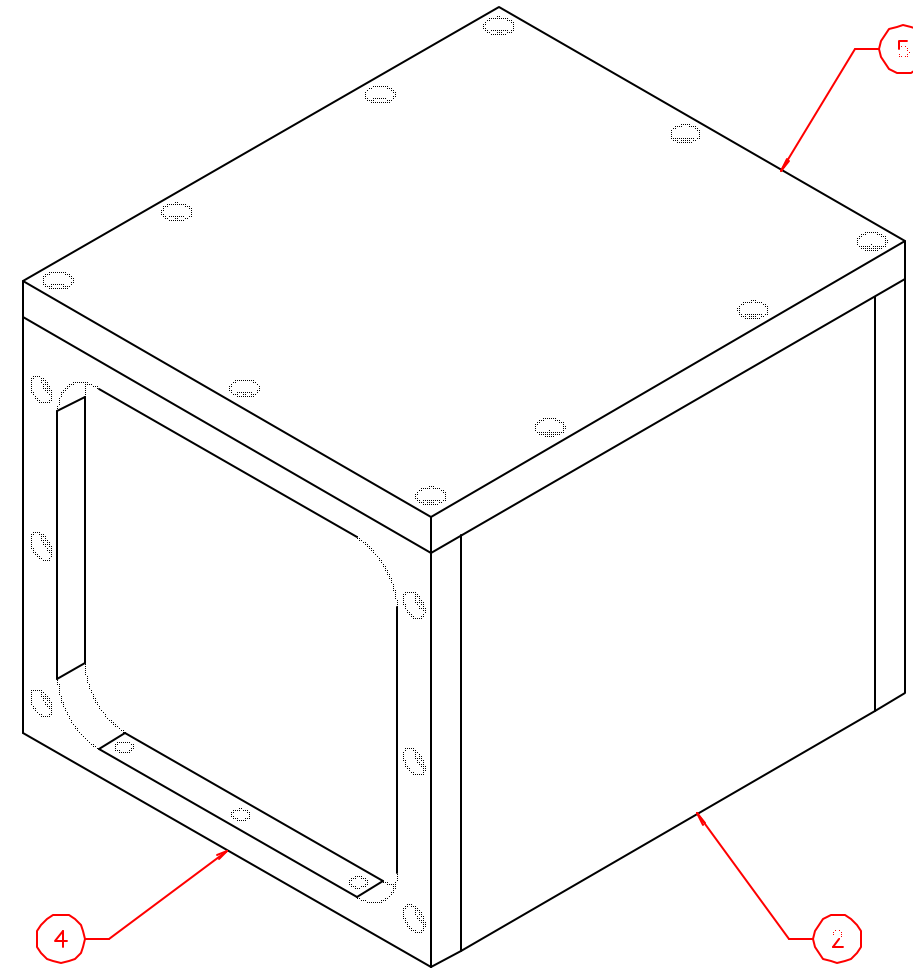
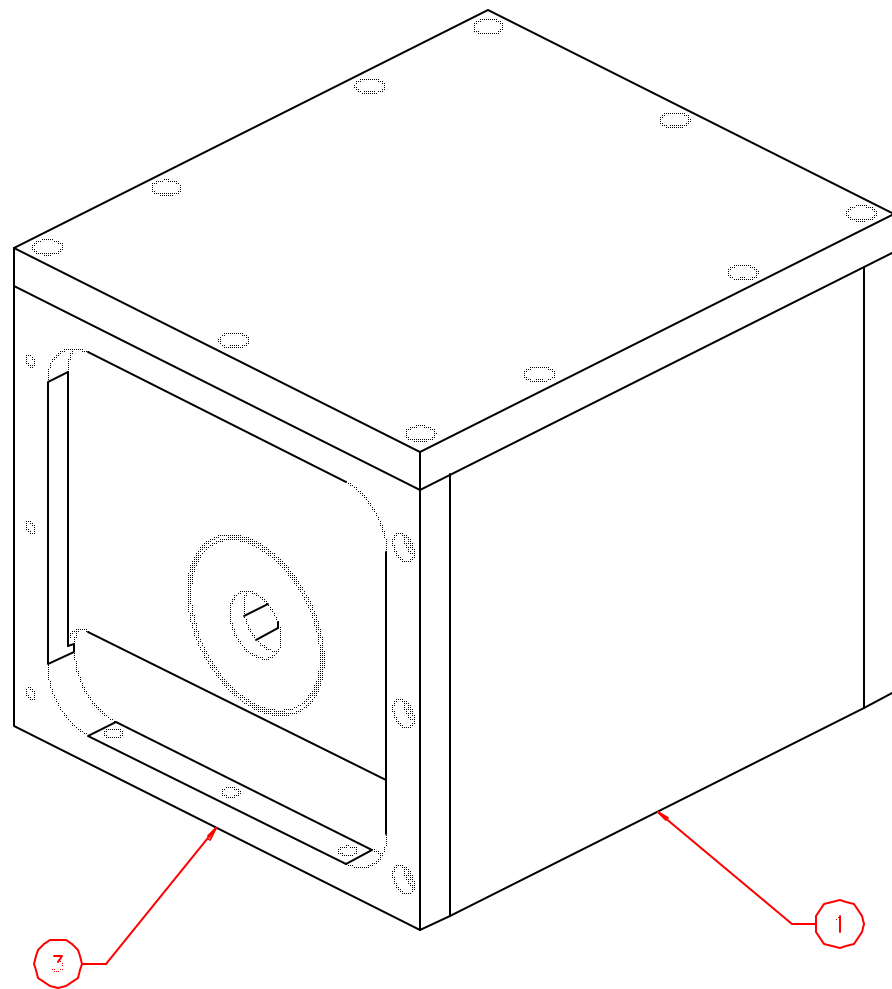


NOTE: 1. PAINT BLACK INSIDE AND OUT

BILL OF MATERIAL

ITEM	Q'TY	DRW. NO.	DESCRIPTION	MATERIAL
1	1	SA8-011	CE LIGHT BOX SIDE 1	ALUM 6061-T6
2	1	SA8-012	CE LIGHT BOX SIDE 2	ALUM 6061-T6
3	1	SA3-013	CE LIGHT BOX BACK	ALUM 6061-T6
4	1	SA3-014	CE LIGHT BOX FRONT	ALUM 6061-T6
5	1	SA8-015	CE LIGHT BOX TOP	ALUM 6061-T6



MATERIAL: ALUM 6061-T6  
 QUANTITY: ONE

		DRAWING NUMBER SA8-001		INSTITUTE FOR ASTRONOMY <small>2680 WOODLAND DR., HENRIEVILLE, NY 13352</small>	
NCXT ASSY	X.X ±0.02	DATE: 11/01/99	NAME: CE LIGHT BOX ASSEMBLY		
SA2-001	X.XX ±0.005	DESIGNER: NCILL	INSTRUMENT: SPCX		
	X.XXX ±0.001	JOB #:	SIZE: B	REVISION DATE: FINAL	
	< ±0.5°	MFG:	SCALE: 1:2	SHEET NO. 1 OF 1	