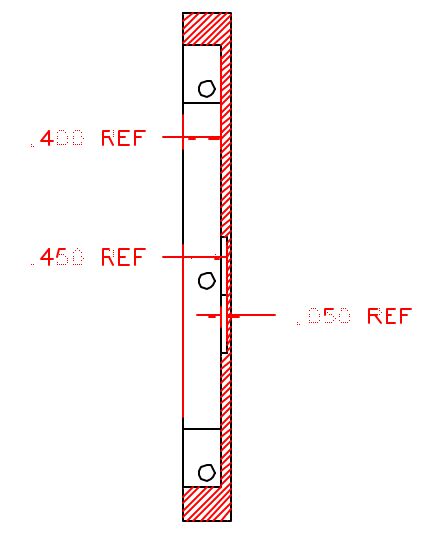
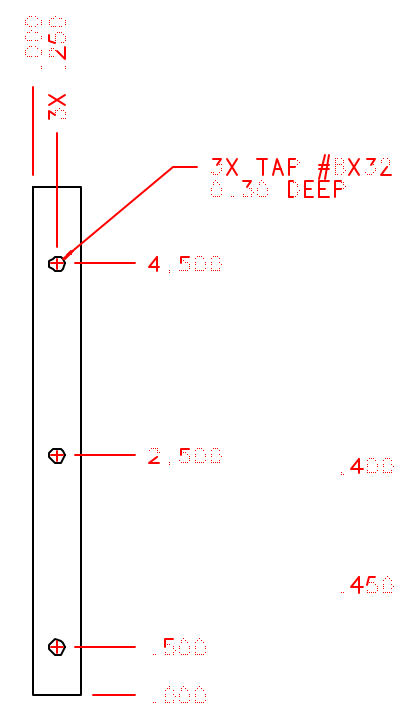
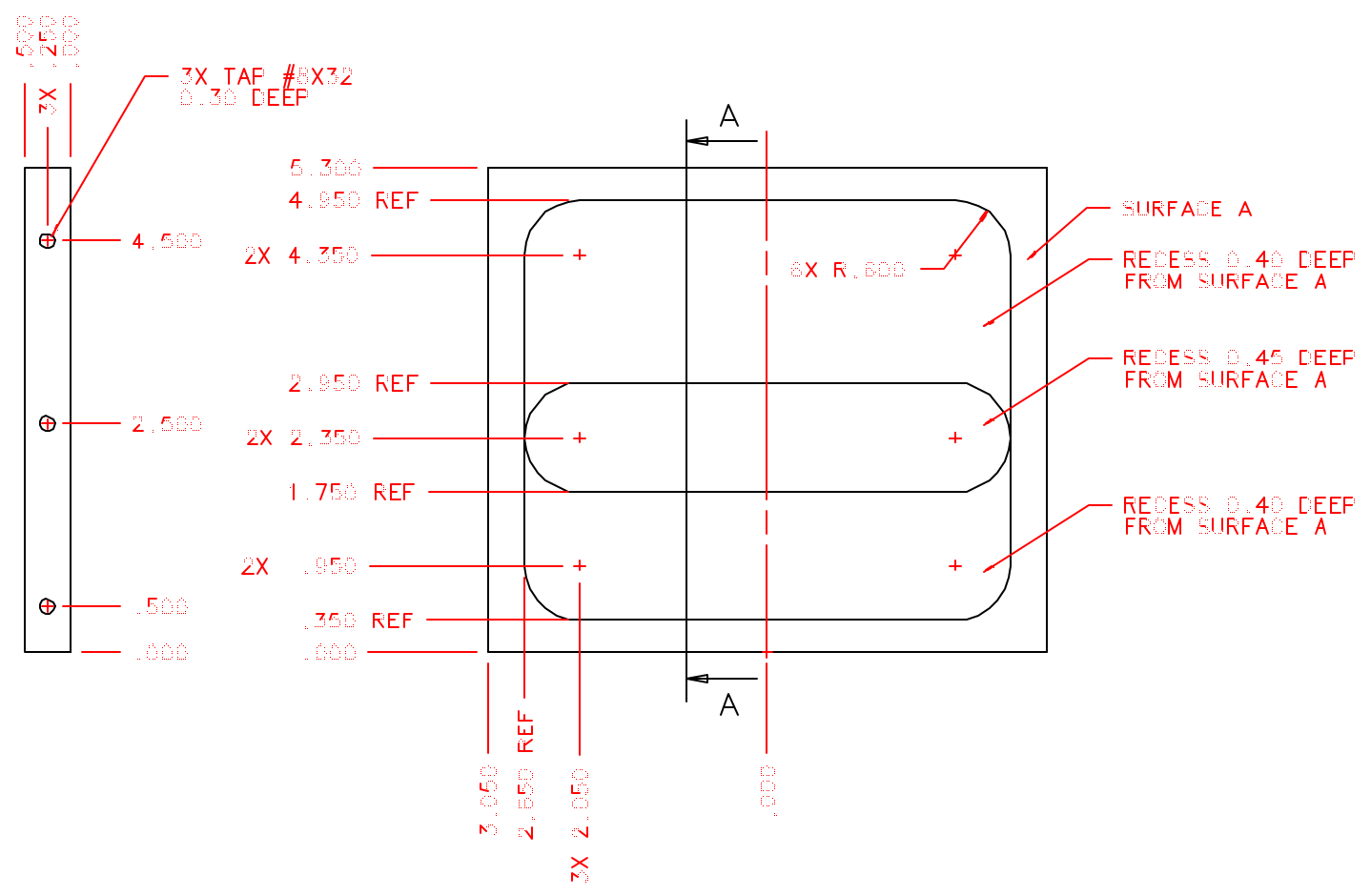
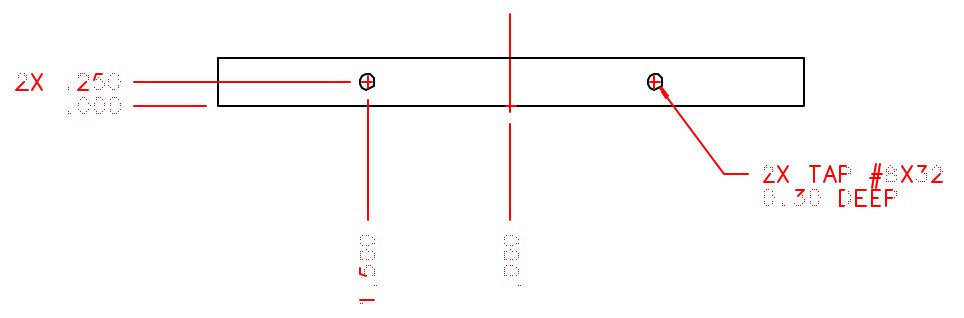
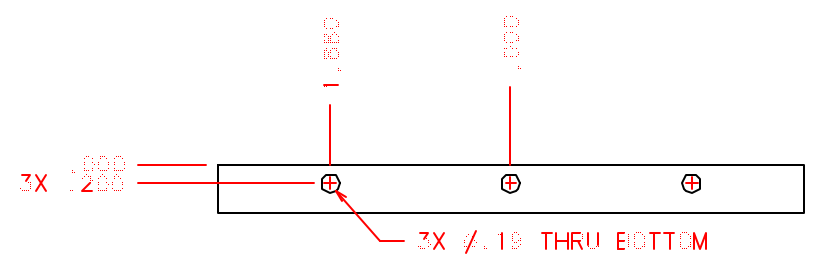
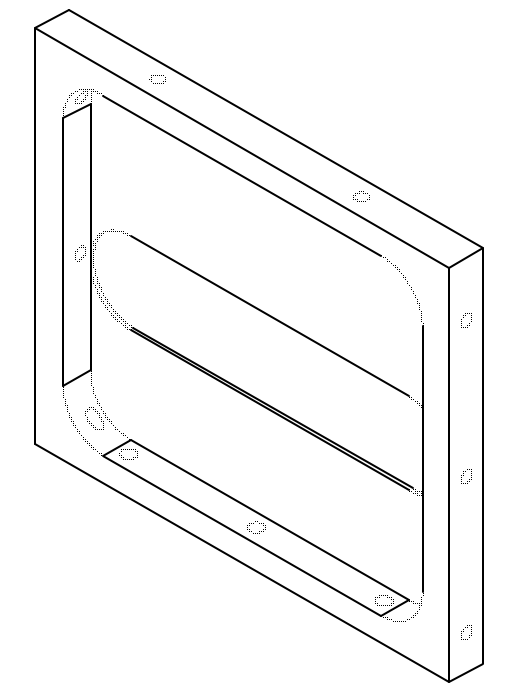


BILL OF MATERIAL

ITEM	Q'TY	DRW. NO.	DESCRIPTION	MATERIAL
------	------	----------	-------------	----------



SECTION A - A



MATERIAL: ALUM 6061-T6
 QUANTITY: ONE

	TOLERANCES <small>(UNLESS OTHERWISE NOTED)</small>	DRAWING NUMBER SAB-011	INSTITUTE FOR ASTRONOMY <small>2680 WOODLAND DR. HENRIEVILLE, NY 13352</small>	
	NCXT ASSY X.X ±0.02 SAB-001 X.XX ±0.005 X.XXX ±0.001 < ±0.5*	DATE: 11/01/99 DESIGNER: NCILL JOB #: MFG:	NAME: CE LIGHT BOX SHED 1 INSTRUMENT: SFCX TELESCOPE: IRTT SIZE: B SCALE: 1:2	REVISION DATE: FINAL SHEET NO. 1 OF 1