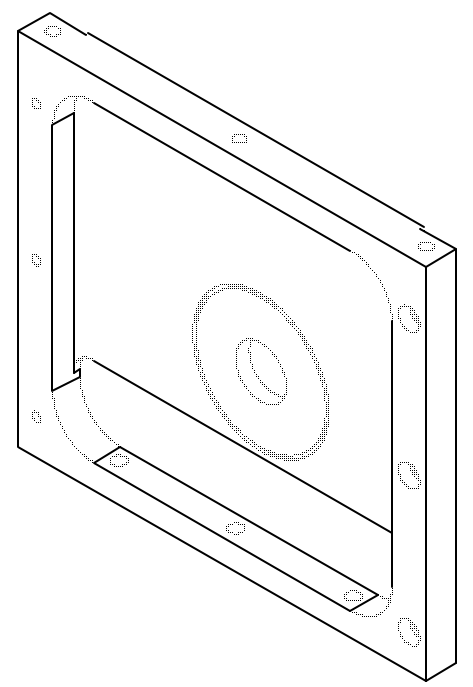


BILL OF MATERIAL

ITEM	Q'TY	DRW. NO.	DESCRIPTION	MATERIAL
------	------	----------	-------------	----------



MATERIAL: ALUM 6061-T6
QUANTITY: ONE

	TOLERANCES <small>(UNLESS OTHERWISE NOTED)</small>	DRAWING NUMBER SAB-013	INSTITUTE FOR ASTRONOMY <small>2680 WOODLAND DR., HENRIEVILLE, NY 13352</small>	
	NCXT ASSY X.X \pm 0.02	DATE: 10/28/99	NAME: CE LIGHT BOX BACK INSTRUMENT: SPCX TELESCOPE: IRTT	
SAB-001 X.XX \pm 0.005	DESIGNER: NCILL	JOB #	SIZE: B	REVISION DATE: FINAL
\angle \pm 0.5°	MFG:	SCALE: 1:2	SHEET NO. 1 OF 1	