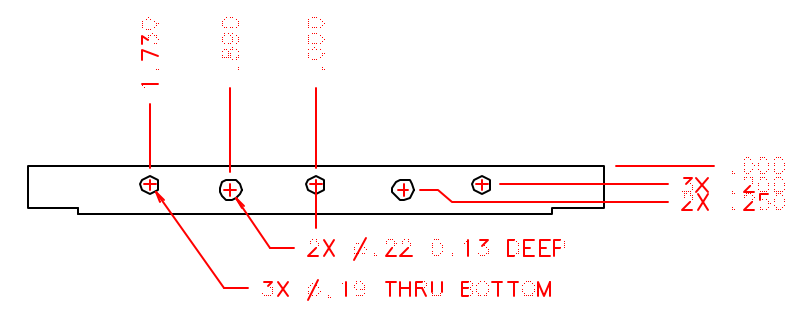
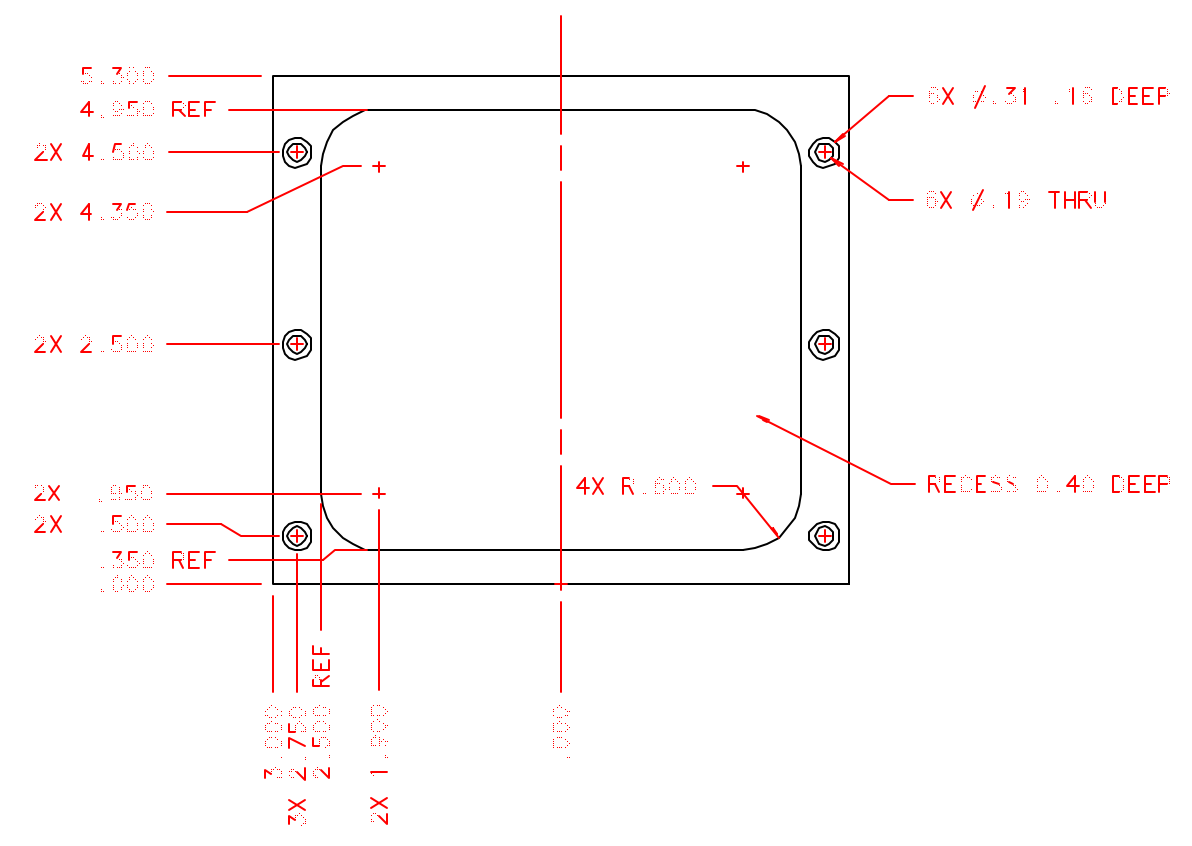
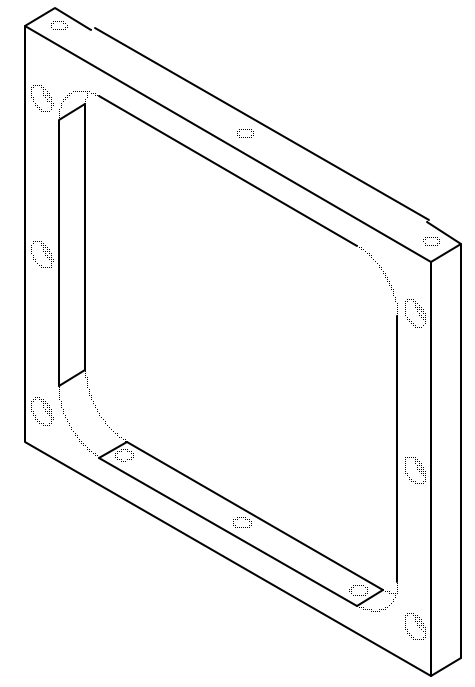
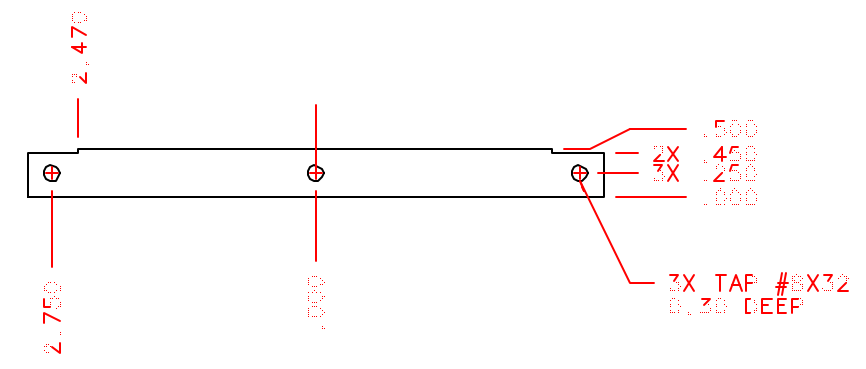


BILL OF MATERIAL

ITEM	Q'TY	DRW. NO.	DESCRIPTION	MATERIAL
------	------	----------	-------------	----------



MATERIAL: ALUM 6061-T6  
 QUANTITY: ONE

	<b>TOLERANCES</b> UNLESS OTHERWISE NOTED	<b>DRAWING NUMBER</b> SAB-014	<b>INSTITUTE FOR ASTRONOMY</b> 2680 WOODLAND DR., HENRIEVILLE, NY 13352	
	NEXT ASSY X.X ±0.02	DATE: 11/01/99	NAME: CB LIGHT BOX FRONT	
SAB-001	X.XX ±0.005	DESIGNER: NCILL	INSTRUMENT: SPCX	
	X.XXX ±0.001	JOB #:	SIZE: B	REVISION DATE: 11/15/99
	∠ ±0.5°	MFG:	SCALE: 1:2	SHEET NO. 1 OF 1