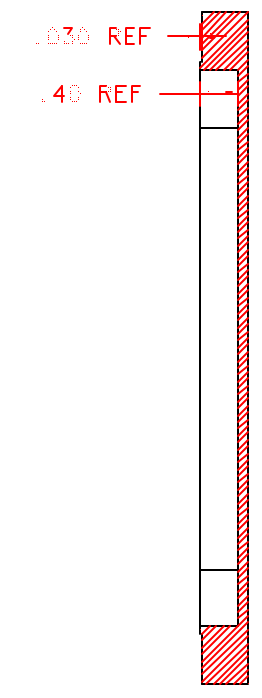
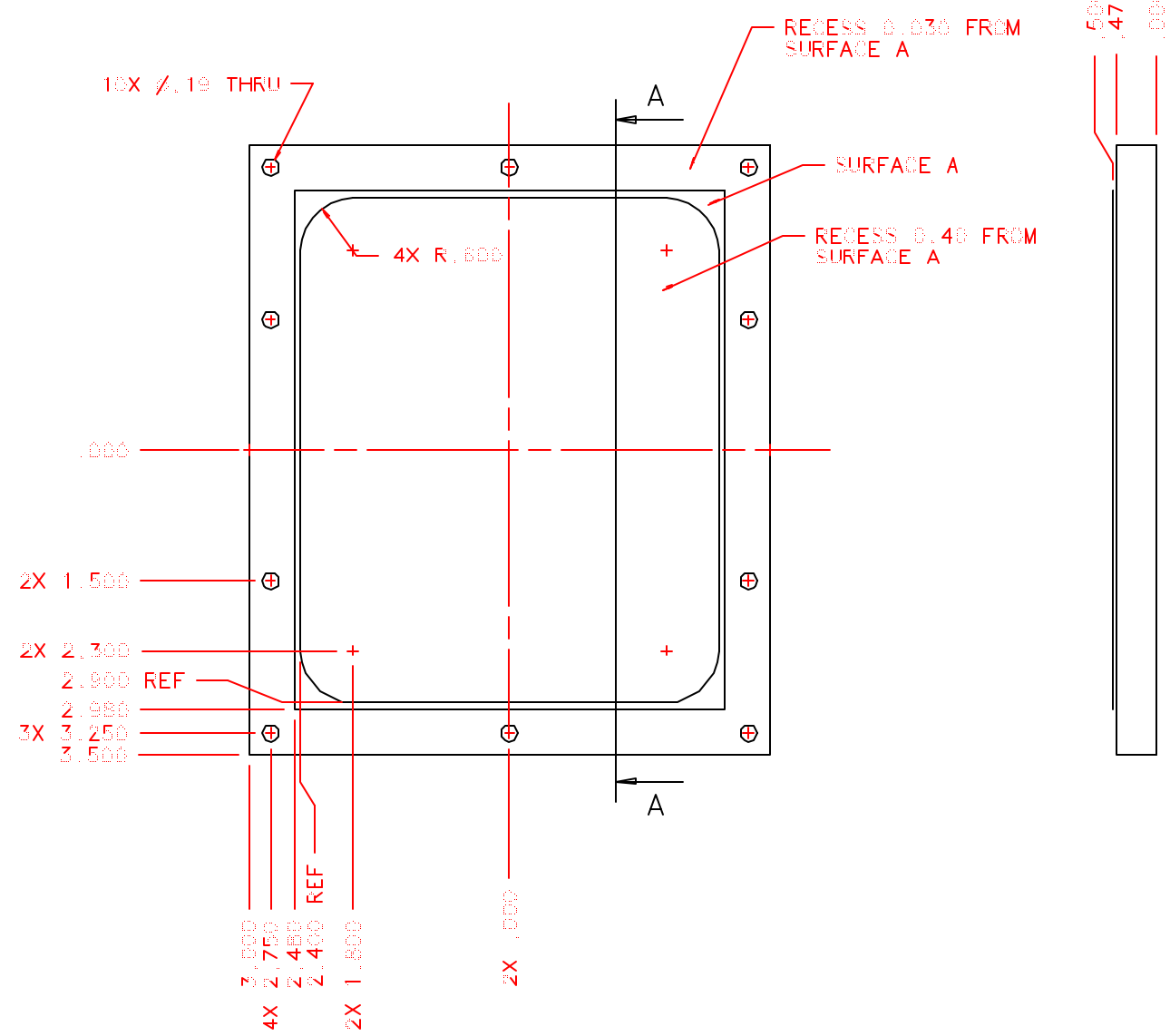
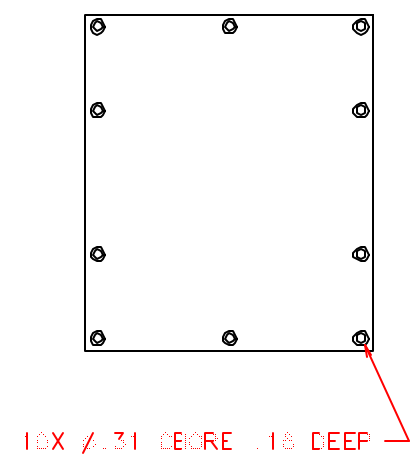
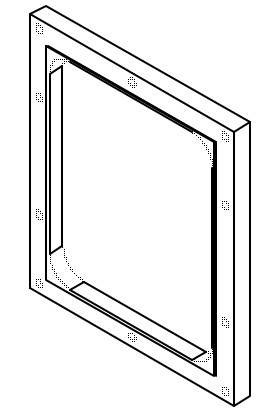


BILL OF MATERIAL

ITEM	Q'TY	DRW. NO.	DESCRIPTION	MATERIAL
------	------	----------	-------------	----------



SECTION A - A

MATERIAL: ALUM 6061-T6
 QUANTITY: ONE

	TOLERANCES <small>(UNLESS OTHERWISE NOTED)</small>	DRAWING NUMBER SAB-015	INSTITUTE FOR ASTRONOMY <small>2680 WHEELMAN DR., HONOLULU, HI 96822</small>	
	NCXT ASSY SAB-001	X.X ±0.02 X.XX ±0.005 X.XXX ±0.001 < ±0.5*	DATE: 11/01/99 DESIGNER: NCILL JOB #: MFG:	NAME: CB LIGHT BOX TOP INSTRUMENT: SPCX TELESCOPE: IRTT SIZE: B