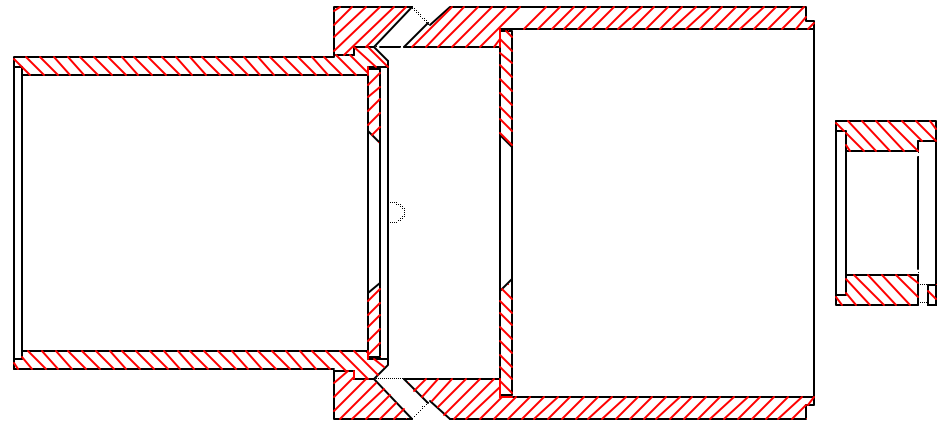
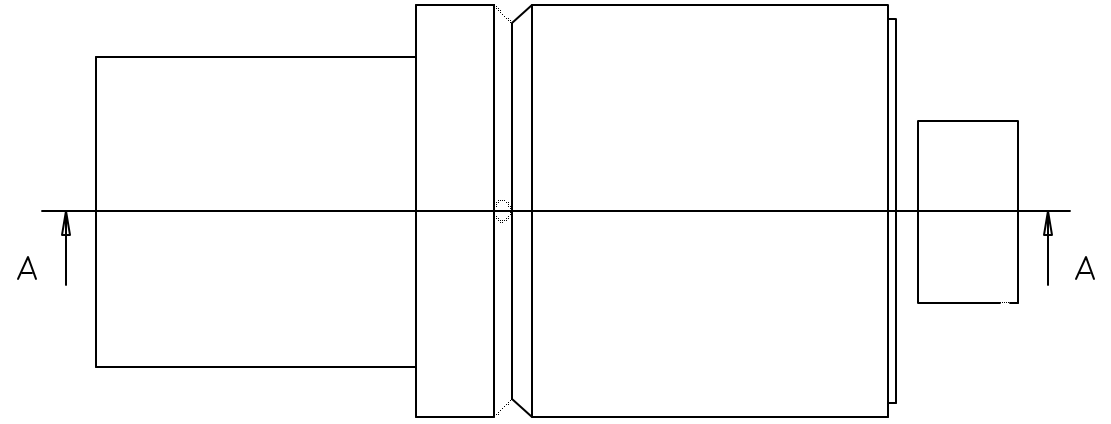
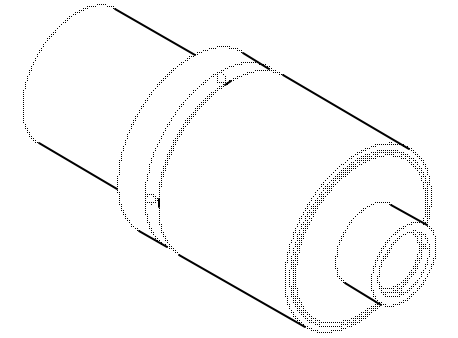


BILL OF MATERIAL				
ITEM	Q'TY	DRW. NO.	DESCRIPTION	MATERIAL
1	1	SA9-011	CB EAFFLE TUBE 1	ALUM 6061-T6
2	1	SA9-012	CB EAFFLE TUBE 2	ALUM 6061-T6
3	1	SA9-013	CB EAFFLE TUBE 3	ALUM 6061-T6
4	1	SA3-014	CB EAFFLE 1	ALUM 6061-T6
5	1	SA3-015	CB EAFFLE 2	ALUM 6061-T6



SECTION A - A

MATERIAL: ALUM 6061-T6  
 QUANTITY: ONE

	TOLERANCES	DRAWING NUMBER		INSTITUTE FOR ASTRONOMY	
	(UNLESS OTHERWISE NOTED)	SA9-001	2680 WOODLAWN DR., HENRIEVILLE, NY 13352		
NCXT ASSY	X.X ±0.02	DATE: 11/01/99	NAME: CB EAFFLE ASSEMBLY		
SA2-001	X.XX ±0.005	DESIGNER: NCILL	INSTRUMENT: SPCX		
	X.XXX ±0.001	JOB #:	SIZE: B	REVISION DATE: FINAL	
	< ±0.5*	MFG:	SCALE: 1:1	SHEET NO. 1 OF 1	