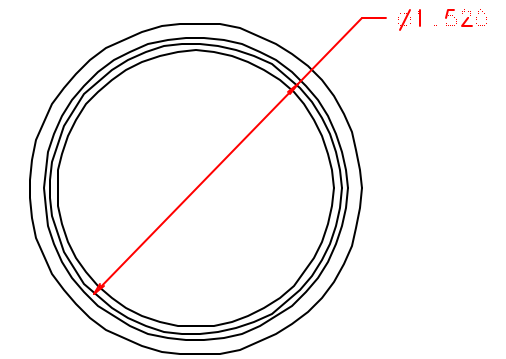
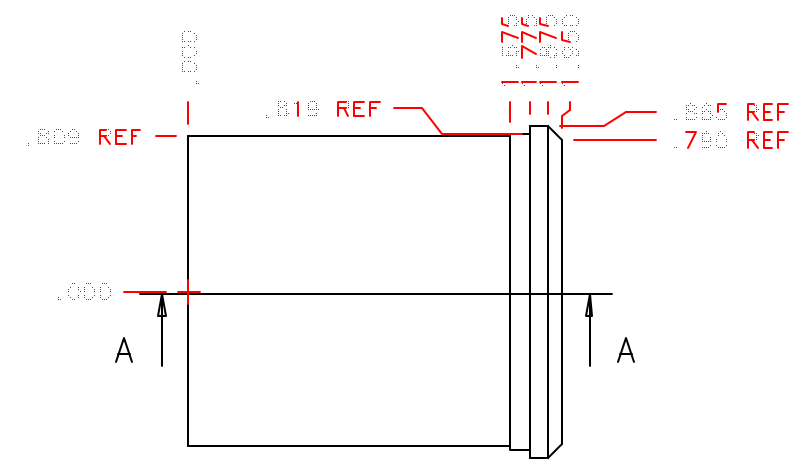
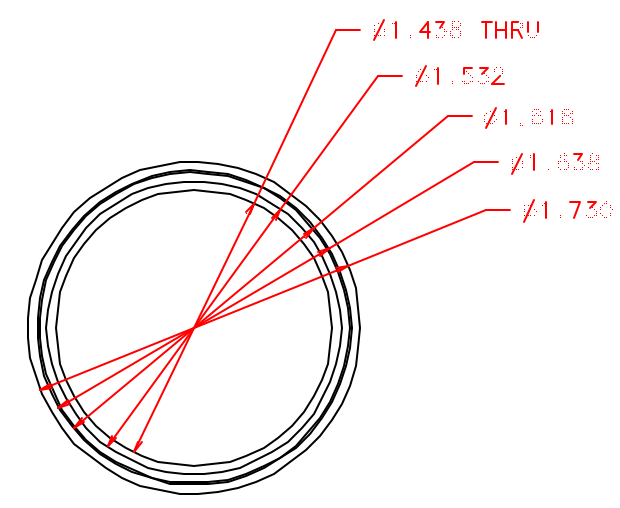
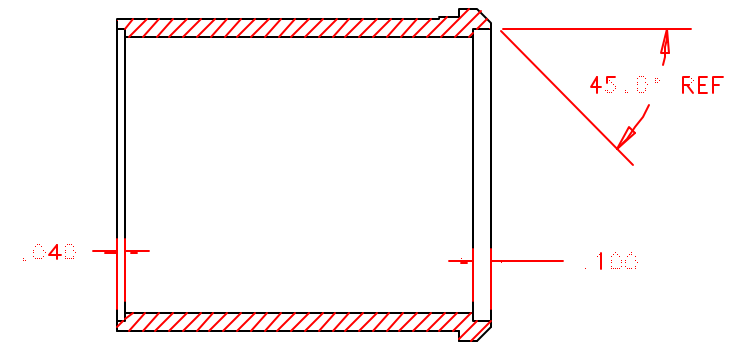
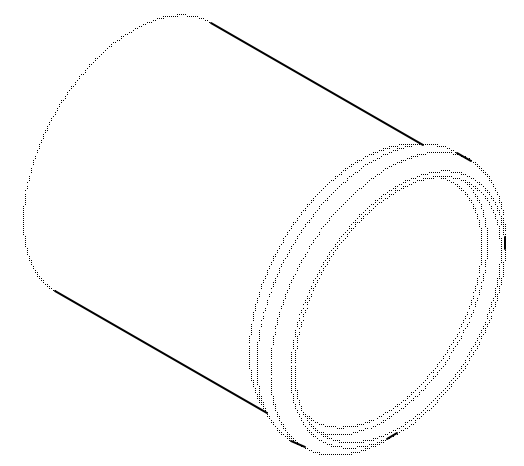


BILL OF MATERIAL

ITEM	Q'TY	DRW. NO.	DESCRIPTION	MATERIAL
------	------	----------	-------------	----------



MATERIAL: ALUM 6061-T6
 QUANTITY: ONE

	TOLERANCES	DRAWING NUMBER	INSTITUTE FOR ASTRONOMY	
	NCVT ASSY	X.X ±0.02	DATE: 11/01/99	2680 WOODLAWN DR., HENNELLO, RI 02822
	SA9-001	X.XX ±0.005	DESIGNER: NCILL	NAME: CE BATTLE TUBE 1
		X.XXX ±0.001	JOB #:	INSTRUMENT: SPCX
	$\angle \pm 0.5^\circ$	MFG:	SIZE: B	TELESCOPE: IRTT
			REVISION DATE: FINAL	
			SCALE: 1:1	SHEET NO. 1 OF 1