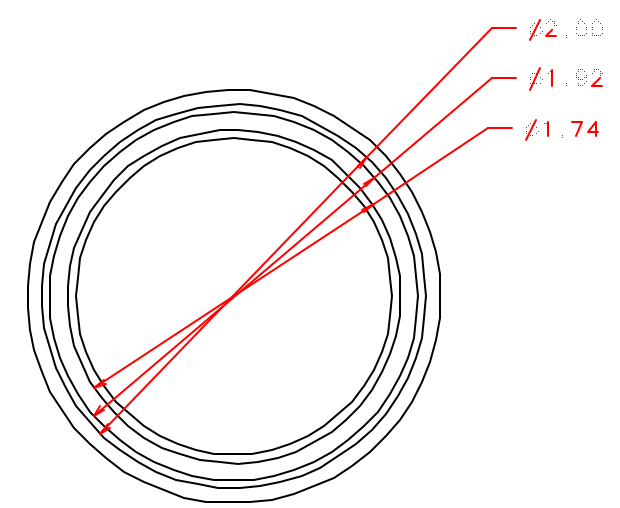
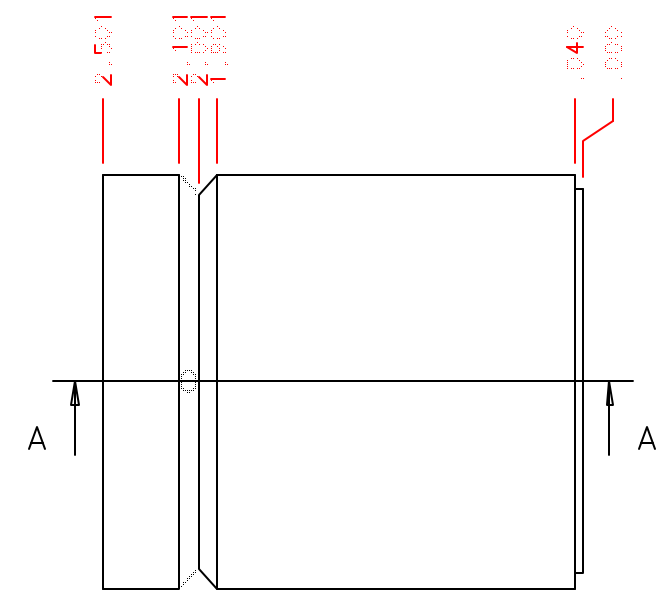
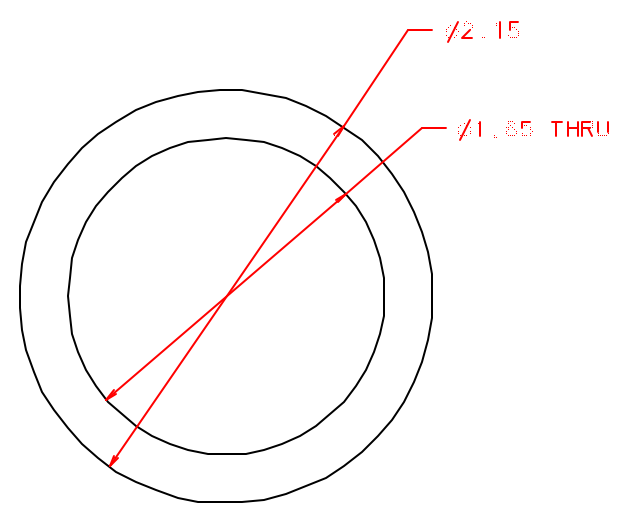
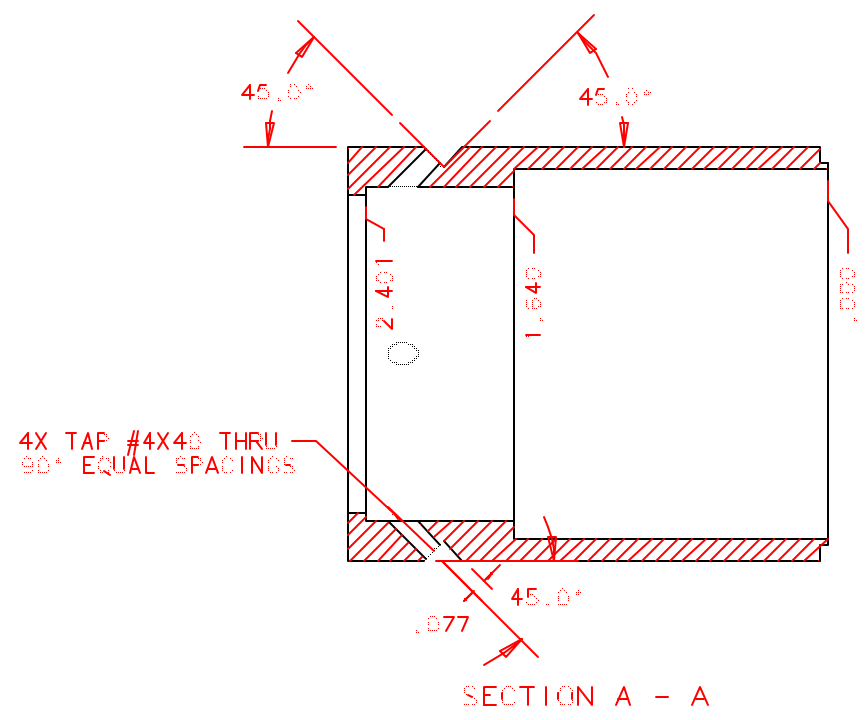
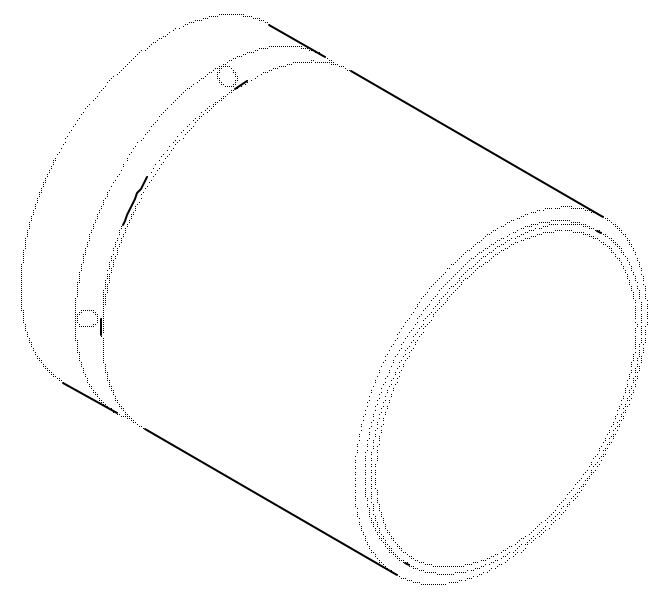


BILL OF MATERIAL

ITEM	Q'TY	DRW. NO.	DESCRIPTION	MATERIAL
------	------	----------	-------------	----------



MATERIAL: ALUM 6061-T6
 QUANTITY: ONE

	TOLERANCES	DRAWING NUMBER	INSTITUTE FOR ASTRONOMY	
	UNLESS OTHERWISE NOTED	SA9-012	2680 WHEELMAN DR., HENRIKULU, HI 96822	
NCXT ASSY	X.X ±0.02	DATE: 11/01/99	NAME: CB BATTLE TUBE 2	
SA9-001	X.XX ±0.005	DESIGNER: NCILL	INSTRUMENT: SPCX	
	X.XXX ±0.001	JOB #:	SIZE: B	REVISION DATE: FINAL
	$\angle \pm 0.5^\circ$	MFG:	SCALE: 1:1	SHEET NO. 1 OF 1