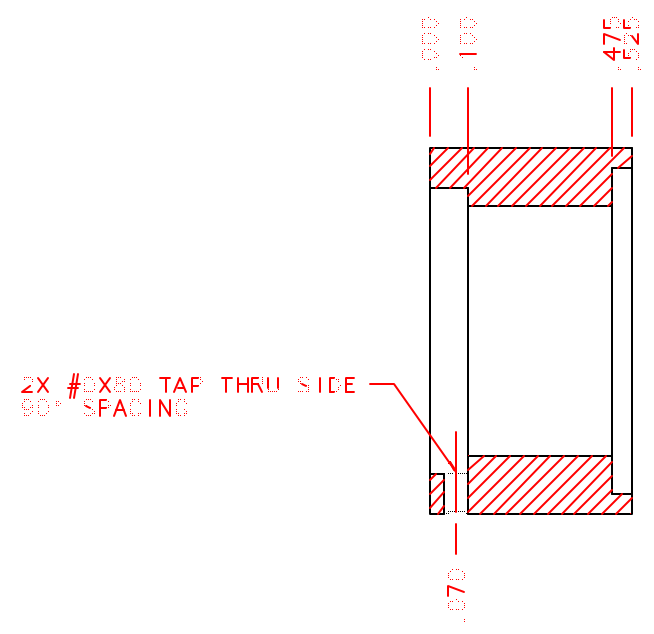
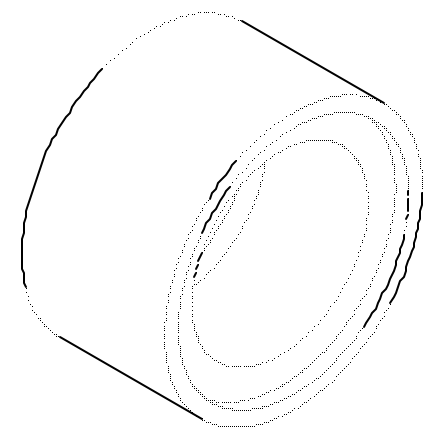
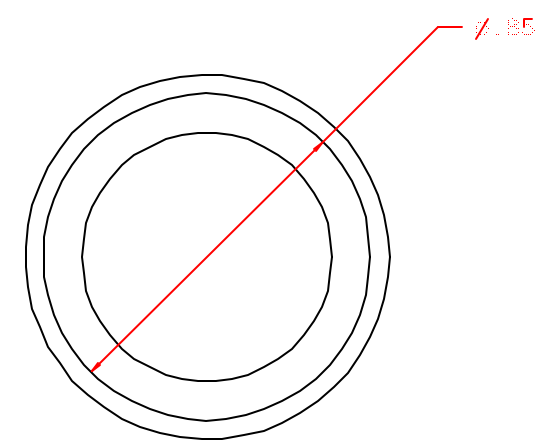
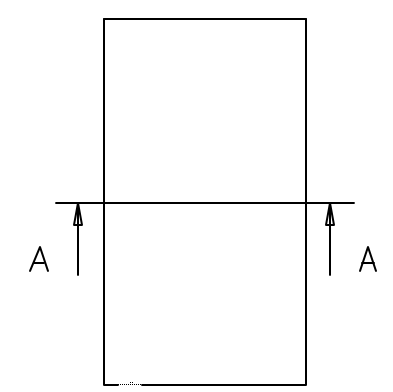
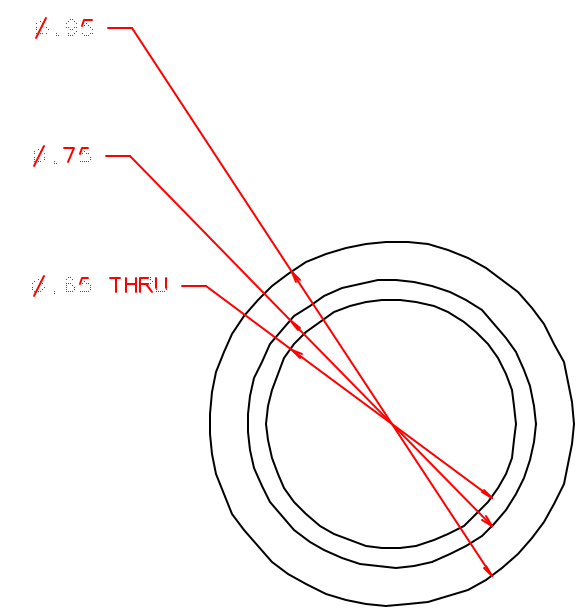


BILL OF MATERIAL

ITEM	Q'TY	DRW. NO.	DESCRIPTION	MATERIAL
------	------	----------	-------------	----------



SECTION A - A



MATERIAL: ALUM 6061-T6  
 QUANTITY: ONE

	<b>TOLERANCES</b>	<b>DRAWING NUMBER</b>	<b>INSTITUTE FOR ASTRONOMY</b>	
	UNLESS OTHERWISE NOTED	SA9-013	2680 WOODLAWN DR., HENRIEVILLE, NY 13352	
NEXT ASSY	X.X ±0.02	DATE: 11/01/99	NAME: CE BATTLE TUBE 3	
SA9-001	X.XX ±0.005	DESIGNER: NCILL	INSTRUMENT: SPCX	
	X.XXX ±0.001	JOB #:	SIZE: B	REVISION DATE: FINAL
	<math>\angle \pm 0.5^\circ</math>	MFG:	SCALE: 2:1	SHEET NO. 1 OF 1