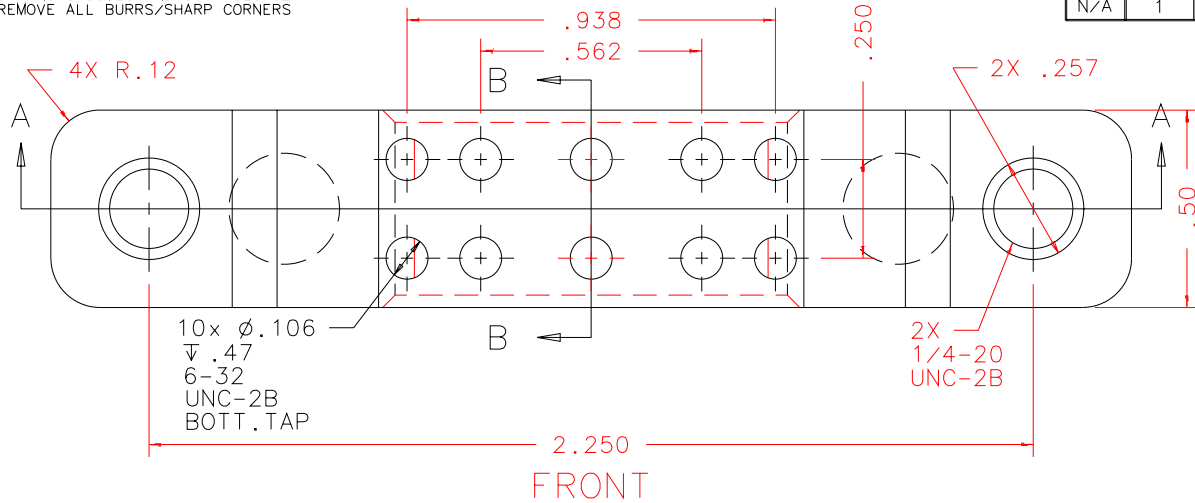


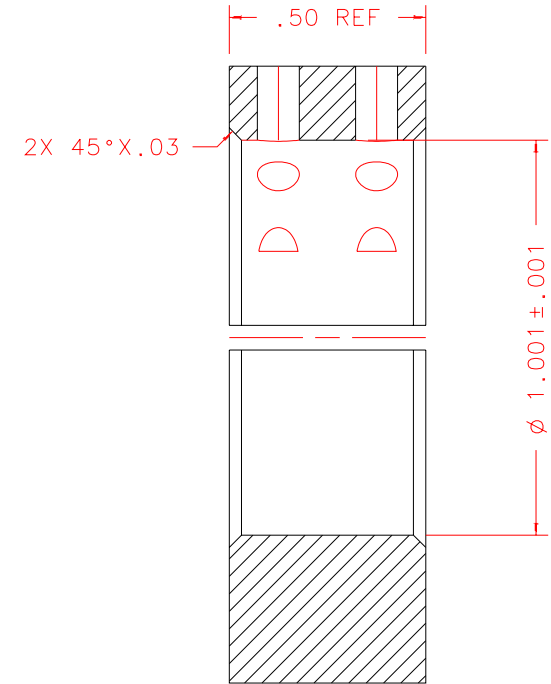
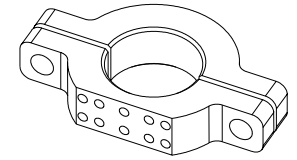
NOTES: UNLESS OTHERWISE NOTED

1. MACHINED SURFACE ROUGHNESS 64  
O-RING GROOVES AND SURFACES 32
2. REMOVE ALL BURRS/SHARP CORNERS

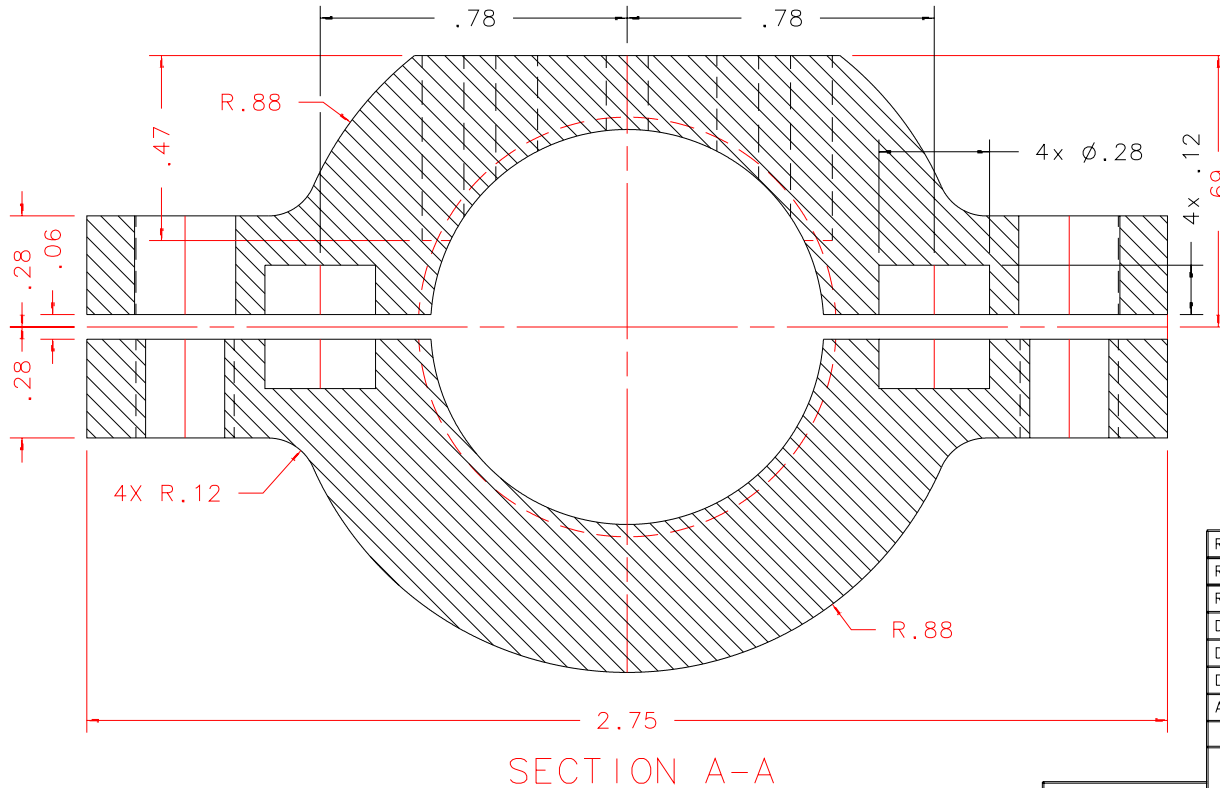
BILL OF MATERIAL				
NO.	REQ'D	REF DRW	DESCRIPTION	MATERIAL
N/A	1	SD0-015A	STAGE 2 CLAMP	COPPER OFHC



ISOMETRIC  
SCALE 1/2



SECTION B-B



REVDATE: 03/03/99	REVISION: 6-32 HLS QTY 10 WAS QTY 8
REVDATE: 10/07/98	REVISION: ADD 4x DIA .28
REVDATE: N/A	REVISION: N/A
DATE: 04/14/97	<b>INSTITUTE FOR ASTRONOMY</b>
DESIGN: STAHLBERGER	2680 WOODLAWN DR. HONOLULU, HI 96822
DRAWN: STAHLBERGER	INSTRUMENT: SPEX - CROSS DISPERSED SPECTROGRAPH
APPR'D: J. RAYNER	PART NAME: STAGE 2 CLAMP
	TELESCOPE: IRTF
<b>TOLERANCES</b>	
X.X	+/- .015
X.XX	+/- .005
X.XXX	+/- .002
ANGLE	+/- 30 min
FRACTION	+/- 1/32
SD0-001B	DRW NO: SD0-015A
NEXT ASSY	SCALE: 4:1
	SIZE: A
	JOS NO: 725
	SHEET: 1 OF 1

PLOT: 10/19/99