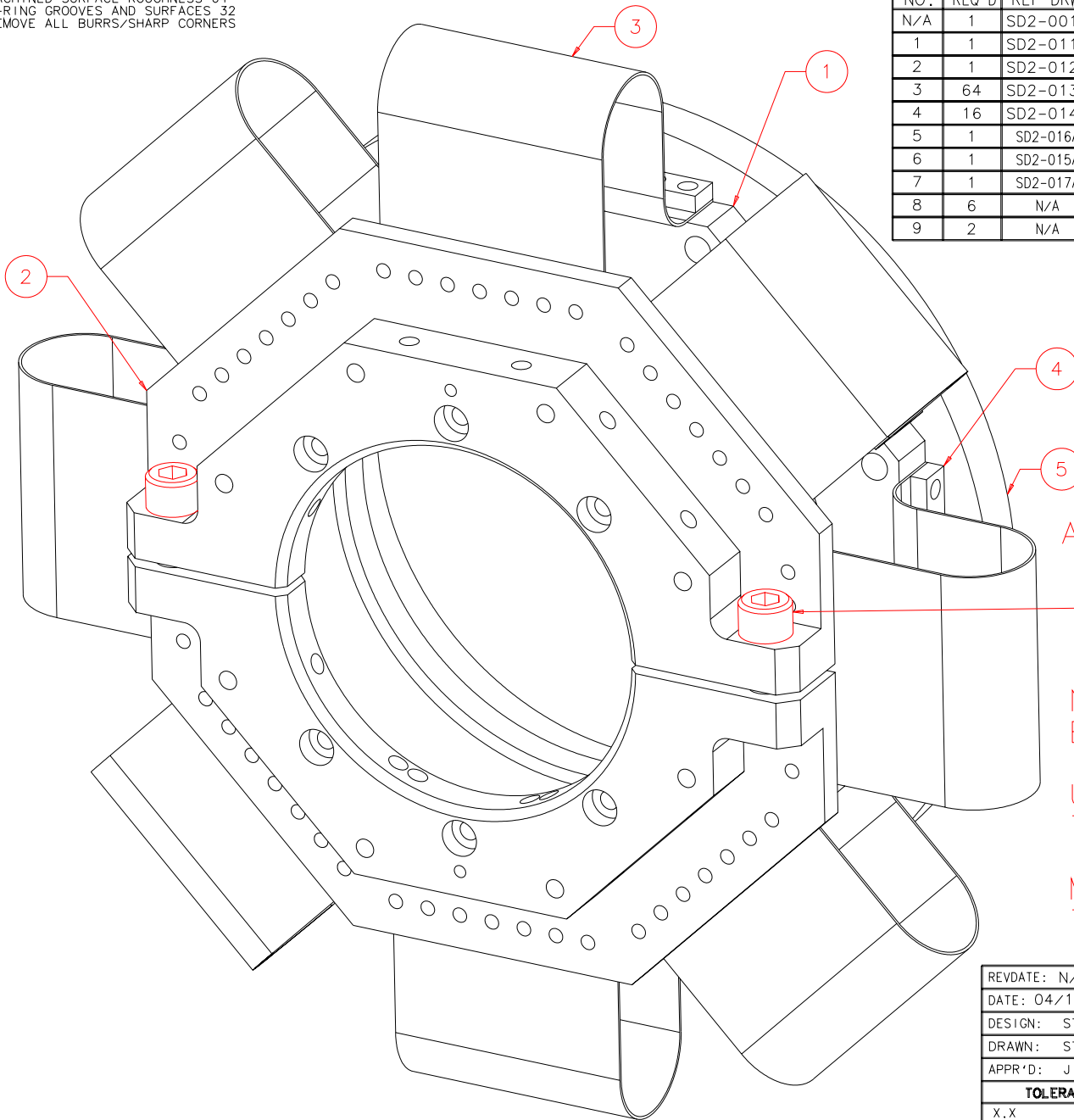


NOTES: UNLESS OTHERWISE NOTED

1. MACHINED SURFACE ROUGHNESS 64  
O-RING GROOVES AND SURFACES 32
2. REMOVE ALL BURRS/SHARP CORNERS



APPROX FULL SCALE

USE WASHER  
UNDER BOLTS

NOTE: USE GRADE 8  
BOLTS TO ASSEMBLE  
THESE PARTS,  
USE GRADE 8 BOLTS  
TO BOLT THIS ASSY  
TO THE TAB  
MOUNTING PLATE ON  
THE ACTIVE SHIELD

BILL OF MATERIAL

NO.	REQ'D	REF DRW	DESCRIPTION	MATERIAL
N/A	1	SD2-001A	STAGE 1 STRAP	N/A
1	1	SD2-011A	ACTIVE SHIELD HOOKUP	COPPER OFHC
2	1	SD2-012A	STAGE 1 CLAMP	COPPER OFHC
3	64	SD2-013A	STRAP 1	COPPER OFHC
4	16	SD2-014A	WASHER PLATE	COPPER OFHC
5	1	SD2-016A	STRAP 1 ASSEMBLY SPACER	OFHC COPPER
6	1	SD2-015A	STAGE 1 GETTER	COPPER OFHC
7	1	SD2-017A	STAGE 1 GETTER CAP	COPPER OFHC
8	6	N/A	CAPTIVE SCREW Z12-6-H(BERG)	STAINLESS
9	2	N/A	SOCKET HEAD CAP 1/4-20 X .75LG	STAINLESS

REVDATE: N/A	REVISION: N/A
DATE: 04/16/97	<b>INSTITUTE FOR ASTRONOMY</b>
DESIGN: STAHLBERGER	2680 WOODLAWN DR. HONOLULU, HI 96822
DRAWN: STAHLBERGER	INSTRUMENT: SPEX - CROSS DISPERSED SPECTROGRAPH
APPR'D: J. RAYNER	PART NAME: STAGE 1 STRAP
<b>TOLERANCES</b>	TELESCOPE: IRTF
X.X +/- .015	
X.XX +/- .005	
X.XXX +/- .002	
ANGLE +/- 30 min	
FRACTION +/- 1/32	
SD0-001B	DRW NO: SD2-001A
NEXT ASSY	SCALE: NOTED
	SIZE: A
	JOS NO: 725
	SHEET: 2 OF 2

PLOT:10/19/99