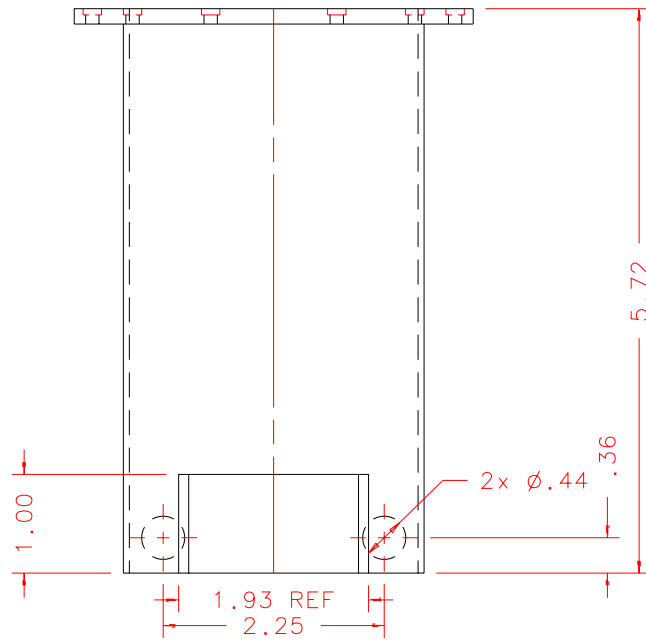


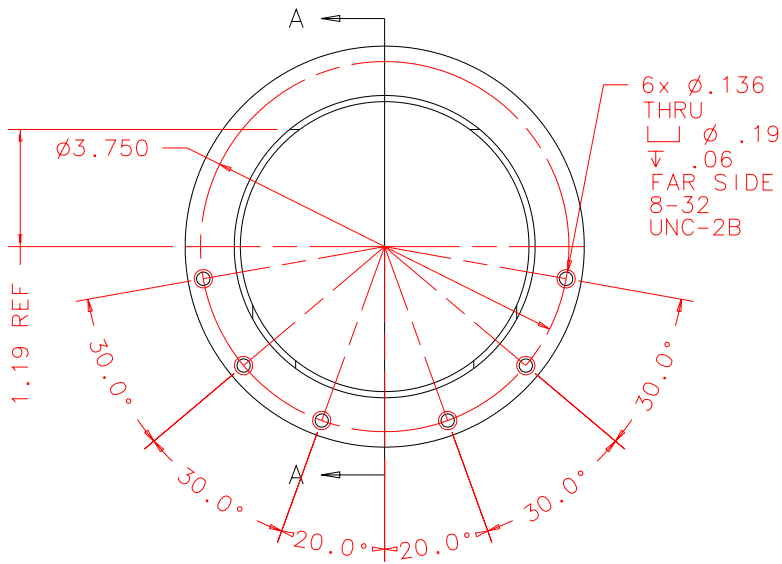
NOTES: UNLESS OTHERWISE NOTED

1. MACHINED SURFACE ROUGHNESS 64  
O-RING GROOVES AND SURFACES 32
2. REMOVE ALL BURRS/SHARP CORNERS

BILL OF MATERIAL				
NO.	REQ'D	REF DRW	DESCRIPTION	MATERIAL
N/A	1	SD2-015A	STAGE 1 GETTER	COPPER OFHC

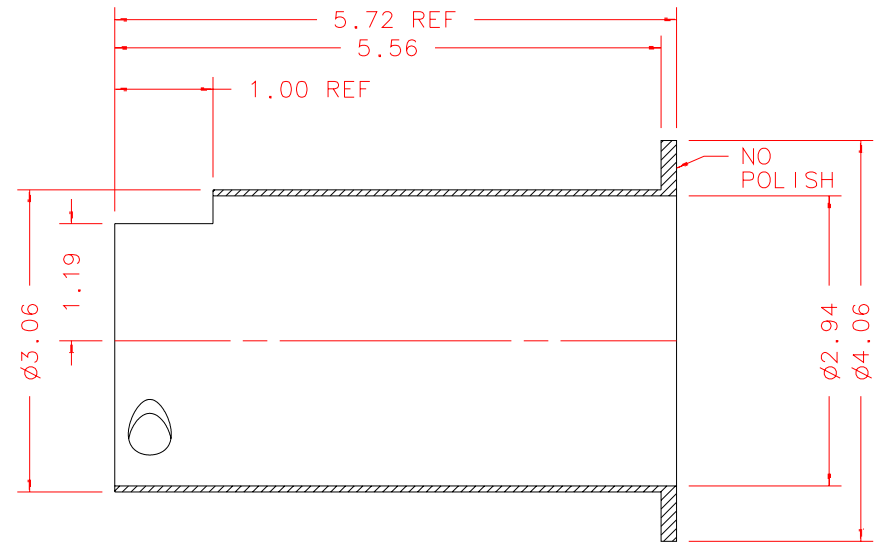
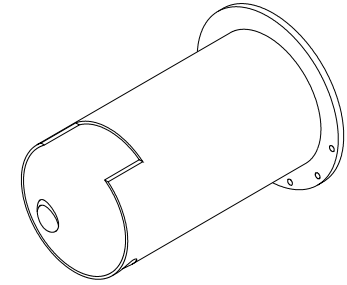


TOP



FRONT

POLISH OUTSIDE SURFACES TO A 10 MICRON FINISH EXCEPT PLACES MARKED OTHERWISE



SECTION A-A

PLOT: 10/19/99

SD0-001B	REVD: N/A	REVISION: N/A	<b>INSTITUTE FOR ASTRONOMY</b> 2680 WOODLAWN DR. HONOLULU, HI 96822
NEXT ASSY	DATE: 10/07/98	DESIGN: STAHLBERGER	
	DRAWN: STAHLBERGER	APP'R'D: J. RAYNER	INSTRUMENT: SPEX - CROSS DISPERSED SPECTROGRAPH
	<b>TOLERANCES</b>		PART NAME: STAGE 1 GETTER
	X.X	+/- .015	TELESCOPE: IRTF
	X.XX	+/- .005	
	X.XXX	+/- .002	DRW NO: SD2-015A
	ANGLE	+/- 30 min	SCALE: 1:2
	FRACTION	+/- 1/32	SIZE: A
			JOS NO: 725
			SHEET: 1 OF 1