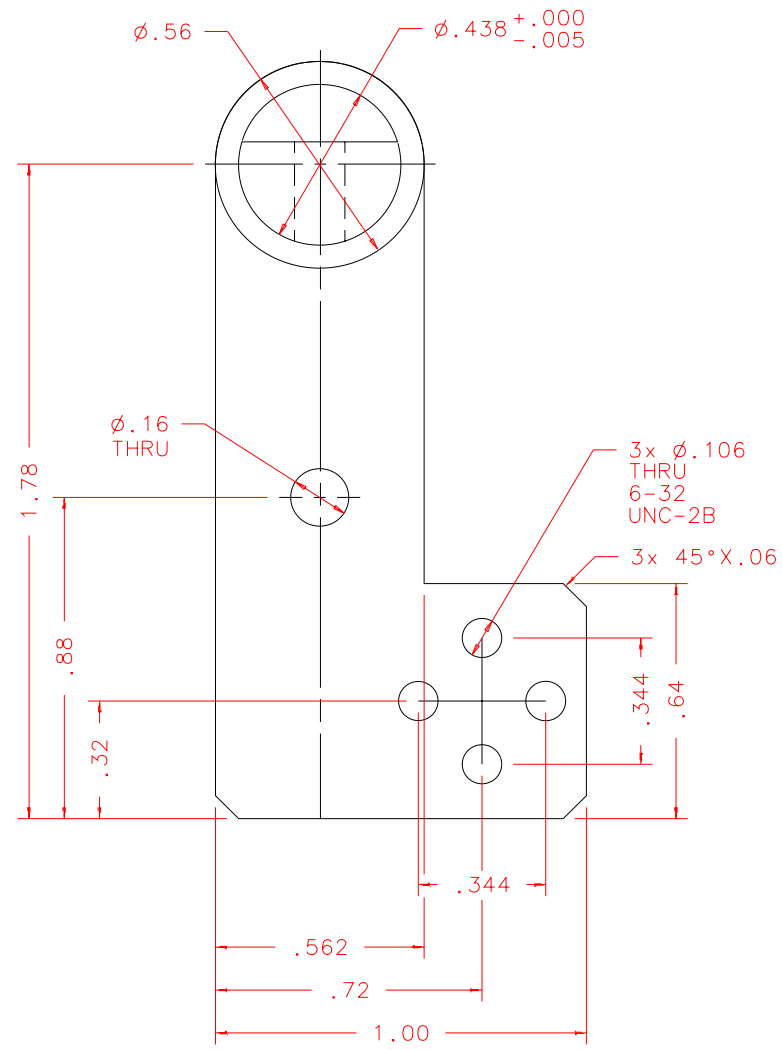


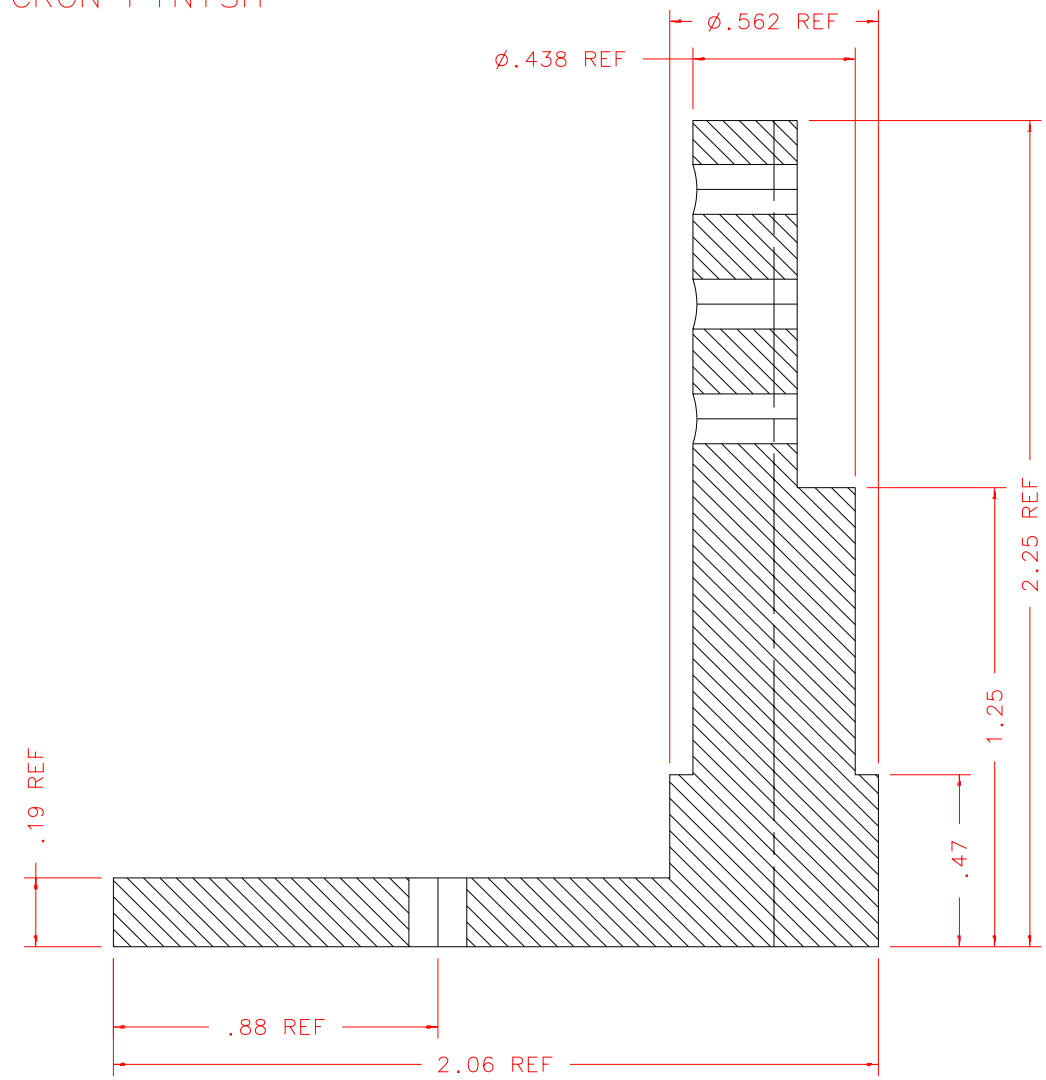
NOTES: UNLESS OTHERWISE NOTED
 1. MACHINED SURFACE ROUGHNESS 64
 O-RING GROOVES AND SURFACES 32
 2. REMOVE ALL BURRS/SHARP CORNERS

POLISH ENTIRE
 PART TO 10
 MICRON FINISH

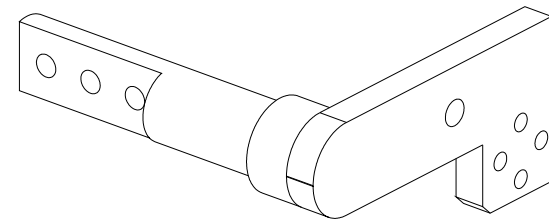
BILL OF MATERIAL				
NO.	REQ'D	REF DRW	DESCRIPTION	MATERIAL
N/A	1	SD4-013B	DUAL JUNCTION	COPPER OFHC



TOP



SECTION A-A



ISOVIEW 6
 SCALE FULL

REVDATE: N/A	REVISION: N/A
DATE: 04/07/99	INSTITUTE FOR ASTRONOMY
DESIGN: STAHLBERGER	2680 WOODLAWN DR. HONOLULU, HI 96822
DRAWN: STAHLBERGER	INSTRUMENT: SPEX - CROSS DISPERSED SPECTROGRAPH
APPR'D: J. RAYNER	PART NAME: DUAL JUNCTION
TOLERANCES	TELESCOPE: IRTF
X.X +/- .015	DRW NO: SD4-013B
X.XX +/- .005	SCALE: 2:1
X.XXX +/- .002	SIZE: B
ANGLE +/- 30 min	JOS NO: 725
FRACTION +/- 1/32	SHEET: 2 OF 2

PLOT: 10/19/99