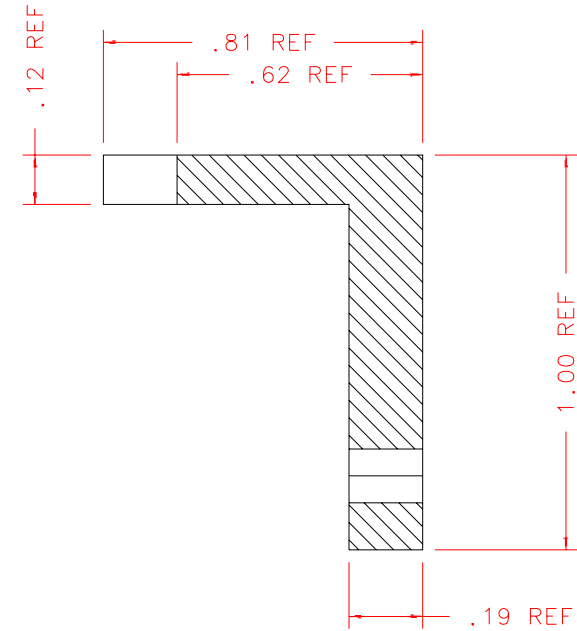
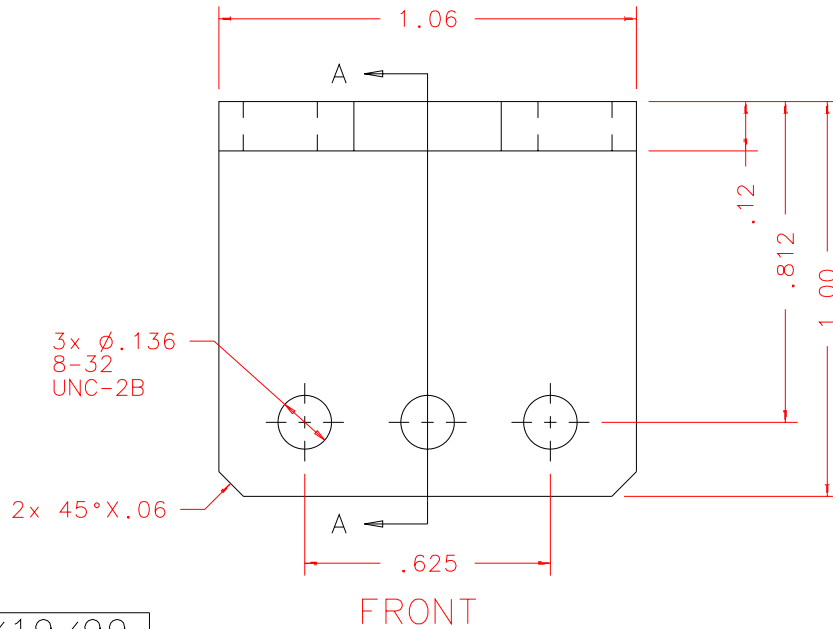
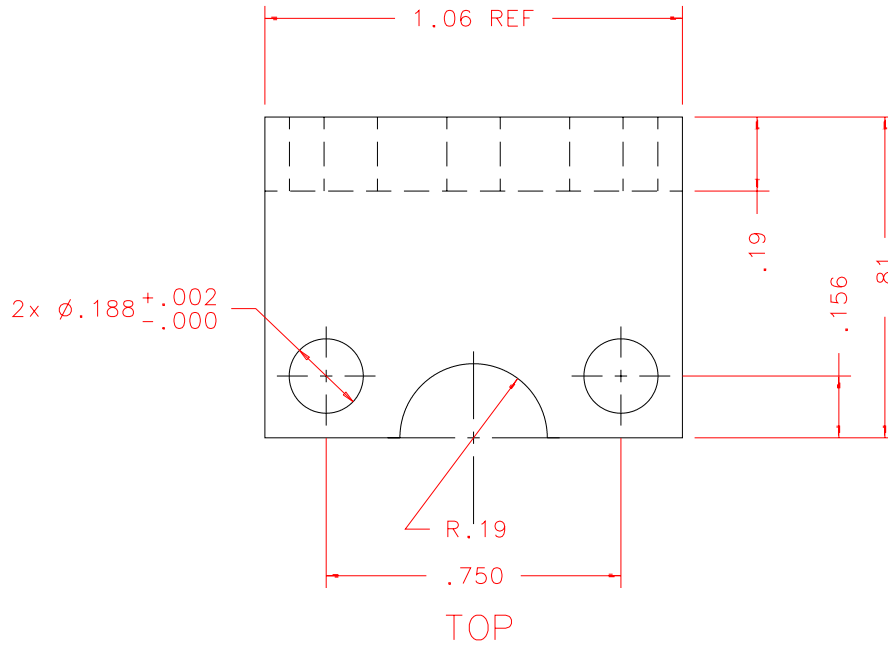


NOTES: UNLESS OTHERWISE NOTED

1. MACHINED SURFACE ROUGHNESS 64
O-RING GROOVES AND SURFACES 32
2. REMOVE ALL BURRS/SHARP CORNERS

BILL OF MATERIAL				
NO.	REQ'D	REF DRW	DESCRIPTION	MATERIAL
N/A	2	SD4-015A	FARADAY SHIELD CONNECT	COPPER OFHC

POLISH ENTIRE PART TO 10 MICRON FINISH



SECTION A-A

PLOT: 10/19/99

SD4-001B	REVD: N/A	REVISION: N/A	INSTITUTE FOR ASTRONOMY 2680 WOODLAWN DR. HONOLULU, HI 96822
NEXT ASSY	DATE: 04/08/99	DESIGN: STAHLBERGER	
	DRAWN: STAHLBERGER	INSTRUMENT: SPEX - CROSS DISPERSED SPECTROGRAPH	PART NAME: FARADAY SHIELD CONNECT TELESCOPE: IRTF
	APPR'D: J. RAYNER	DRW NO: SD4-015A	
	TOLERANCES X.X +/- .015 X.XX +/- .005 X.XXX +/- .002 ANGLE +/- 30 min FRACTION +/- 1/32		SIZE: A JOS NO: 725 SHEET: 1 OF 1