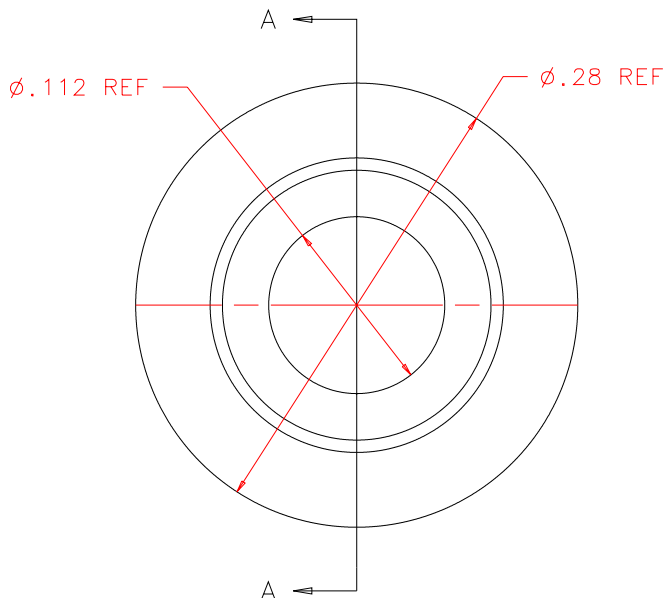


NOTES: UNLESS OTHERWISE NOTED

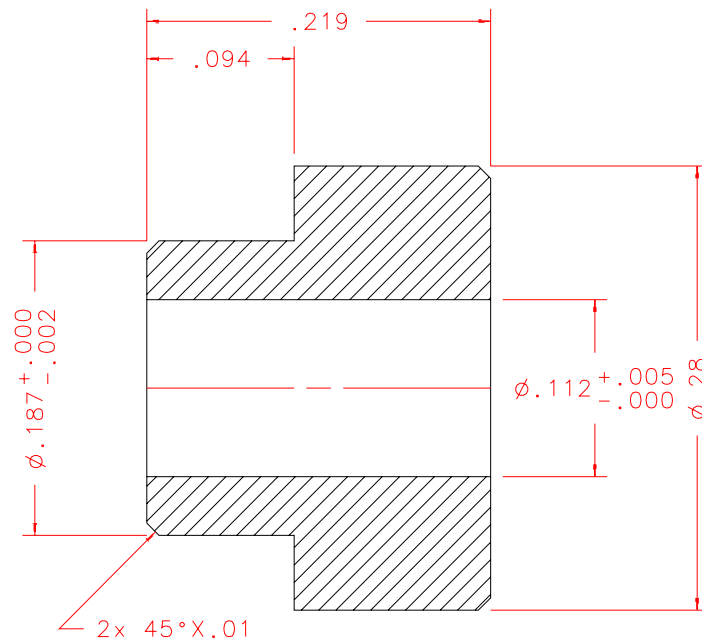
1. MACHINED SURFACE ROUGHNESS 64
O-RING GROOVES AND SURFACES 32
2. REMOVE ALL BURRS/SHARP CORNERS

BILL OF MATERIAL

NO.	REQ'D	REF DRW	DESCRIPTION	MATERIAL
N/A	4	SD4-016A	G-10 BUSHING	G-10



FRONT



SECTION A-A

PLOT: 10/19/99

SD4-001B	REVDATE: N/A	REVISION: N/A	INSTITUTE FOR ASTRONOMY 2680 WOODLAWN DR. HONOLULU, HI 96822
NEXT ASSY	DATE: 04/08/99	DESIGN: STAHLBERGER	
	DRAWN: STAHLBERGER	INSTRUMENT: SPEX - CROSS DISPERSED SPECTROGRAPH	PART NAME: G-10 BUSHING TELESCOPE: IRTF
	APPR'D: J. RAYNER		
	TOLERANCES		DRW NO: SD4-016A
	X.X	+/- .015	SCALE: 8:1
	X.XX	+/- .005	SIZE: A JOS NO: 725 SHEET: 1 OF 1
	X.XXX	+/- .002	
	ANGLE	+/- 30 min	
	FRACTION	+/- 1/32	