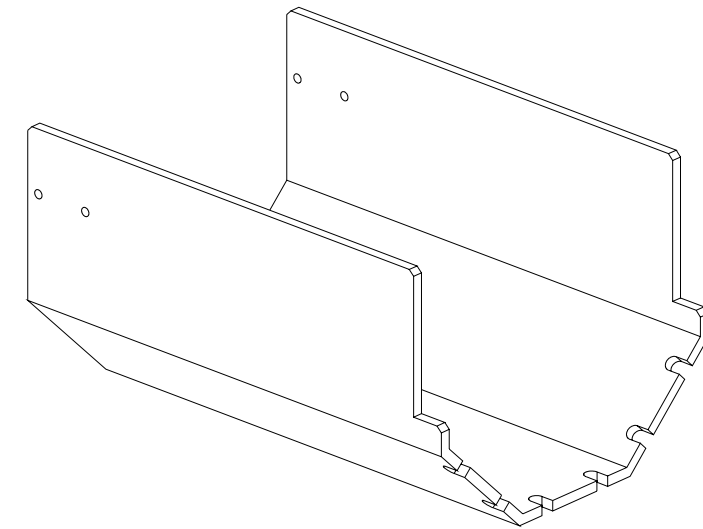


NOTES: UNLESS OTHERWISE NOTED  
 1. MACHINED SURFACE ROUGHNESS 64  
 O-RING GROOVES AND SURFACES 32  
 2. REMOVE ALL BURRS/SHARP CORNERS

MAKE FROM 1/8 THK SHEETMETAL : BEND AROUND MANDREL  
 POLISH OUTSIDE SURFACES  
 TO 10 MICRON FINISH

BILL OF MATERIAL				
NO.	REQ'D	REF DRW	DESCRIPTION	MATERIAL
N/A	1	SD4-017B	GETTER CHANNEL +X	ALU 6061-T6



ISOVIEW 5: SCALE 1:2

TOP

PLOT: 10/19/99

REVDATE: N/A	REVISION: N/A
DATE: 04/09/99	<b>INSTITUTE FOR ASTRONOMY</b>
DESIGN: STAHLBERGER	2680 WOODLAWN DR. HONOLULU, HI 96822
DRAWN: STAHLBERGER	INSTRUMENT: SPEX - CROSS DISPERSED SPECTROGRAPH
APPR'D: J. RAYNER	PART NAME: GETTER CHANNEL +X
<b>TOLERANCES</b>	
X.X	+/- .015
X.XX	+/- .005
X.XXX	+/- .002
ANGLE	+/- 30 min
FRACTION	+/- 1/32
SD4-001B	DRW NO: SD4-017B
NEXT ASSY	SCALE: 1:1
	SIZE: B
	JOS NO: 725
	SHEET: 2 OF 2