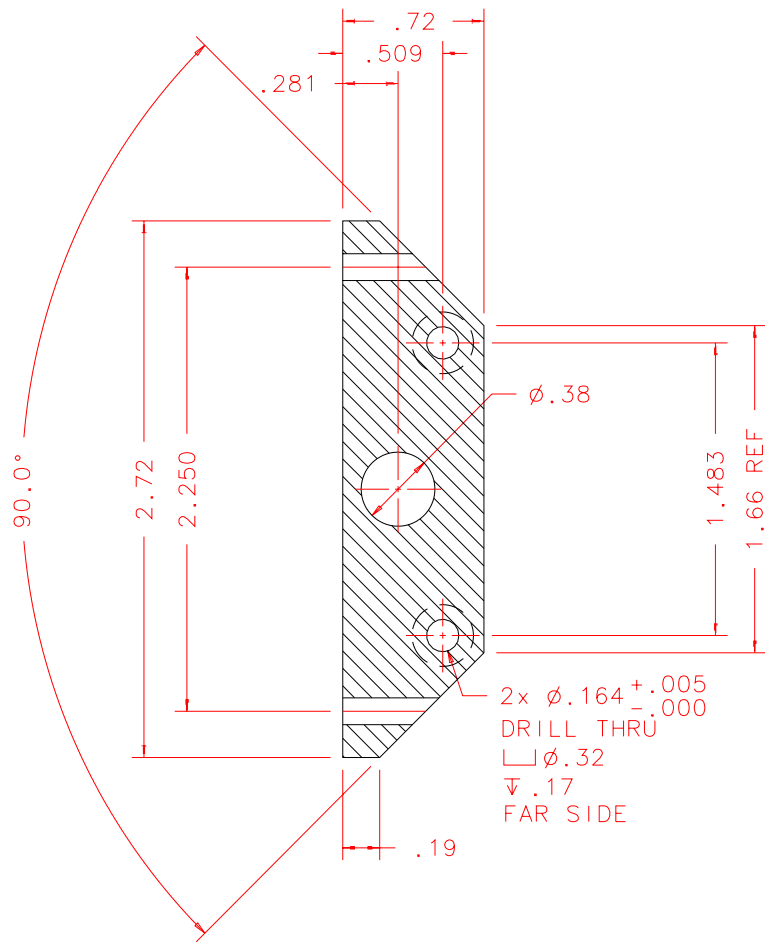


NOTES: UNLESS OTHERWISE NOTED

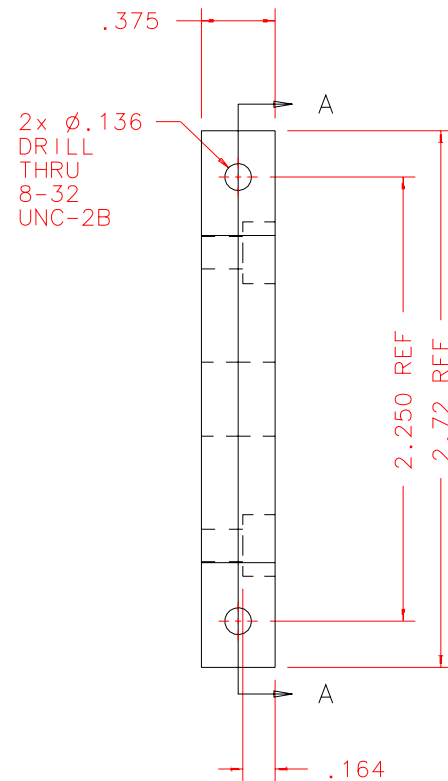
1. MACHINED SURFACE ROUGHNESS 64
- 0-RING GROOVES AND SURFACES 32
2. REMOVE ALL BURRS/SHARP CORNERS

POLISH ENTIRE
PART 10 MICRON
FINISH

BILL OF MATERIAL				
NO.	REQ'D	REF DRW	DESCRIPTION	MATERIAL
N/A	1	SD4-019A	GETTER PLATE BRACKET	ALU 6061-T6



SECTION A-A



FRONT

REVDATE: N/A	REVISION: N/A
DATE: 04/09/99	INSTITUTE FOR ASTRONOMY
DESIGN: STAHLBERGER	2680 WOODLAWN DR. HONOLULU, HI 96822
DRAWN: STAHLBERGER	INSTRUMENT: SPEX - CROSS DISPERSED SPECTROGRAPH
APPR'D: J. RAYNER	PART NAME: GETTER PLATE BRACKET
	TELESCOPE: IRTF
TOLERANCES	
X.X	+/- .015
X.XX	+/- .005
X.XXX	+/- .002
ANGLE	+/- 30 min
FRACTION	+/- 1/32
SD4-001B	DRW NO: SD4-019A
NEXT ASSY	SCALE: 1:1
	SIZE: A
	JOS NO: 725
	SHEET: 1 OF 1

PLOT:10/19/99