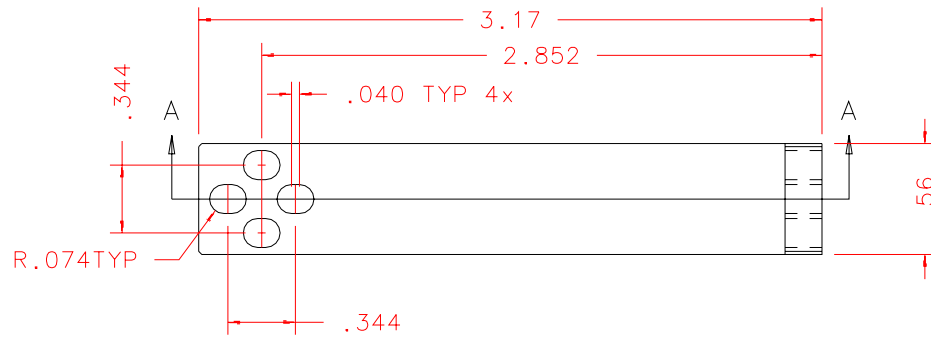


NOTES: UNLESS OTHERWISE NOTED

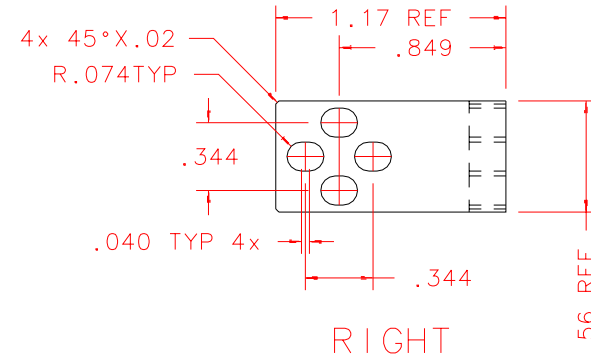
1. MACHINED SURFACE ROUGHNESS 64  
O-RING GROOVES AND SURFACES 32
2. REMOVE ALL BURRS/SHARP CORNERS

MACHINE TO SHAPE SHOWN,  
DO NOT BEND MATERIAL  
POLISH TO 10 MICR.FINISH

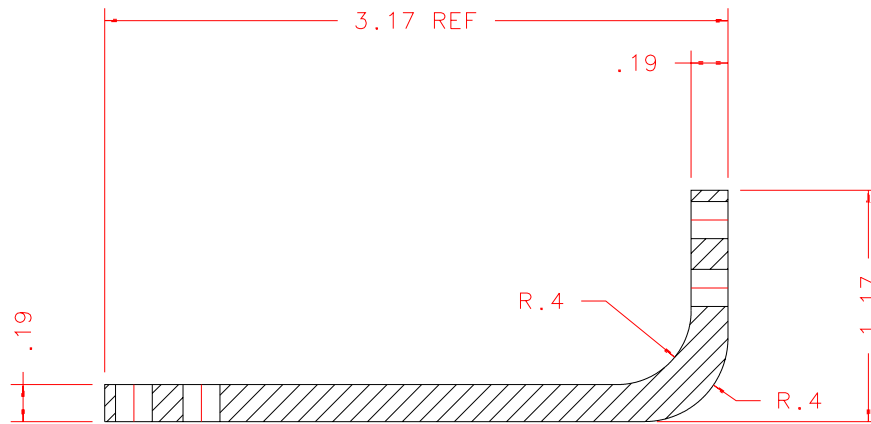
BILL OF MATERIAL				
NO.	REQ'D	REF DRW	DESCRIPTION	MATERIAL
N/A	1	SD4-020A	IMAGER STRAP ANGLE	COPPER OFHC



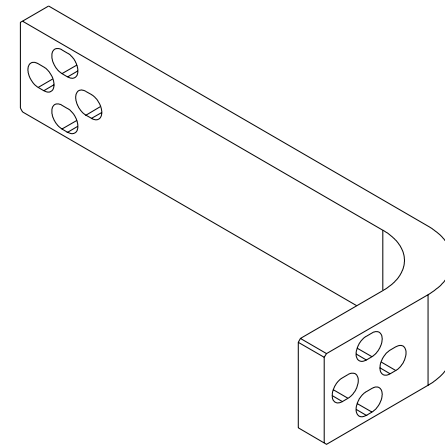
FRONT



RIGHT



SECTION A-A



ISOVIEW 5

REVDATE: N/A	REVISION: N/A
DATE: 04/09/99	<b>INSTITUTE FOR ASTRONOMY</b>
DESIGN: STAHLBERGER	2680 WOODLAWN DR. HONOLULU, HI 96822
DRAWN: STAHLBERGER	INSTRUMENT: SPEX - CROSS DISPERSED SPECTROGRAPH
APPR'D: J. RAYNER	PART NAME: IMAGER STRAP ANGLE
<b>TOLERANCES</b>	
X.X	+/- .015
X.XX	+/- .005
X.XXX	+/- .002
ANGLE	+/- 30 min
FRACTION	+/- 1/32
TELESCOPE: IRTF	
SD4-001B	DRW NO: SD4-020A
NEXT ASSY	SCALE: 1:1
	SIZE: A
	JOS NO: 725
	SHEET: 1 OF 1

PLOT:10/19/99