

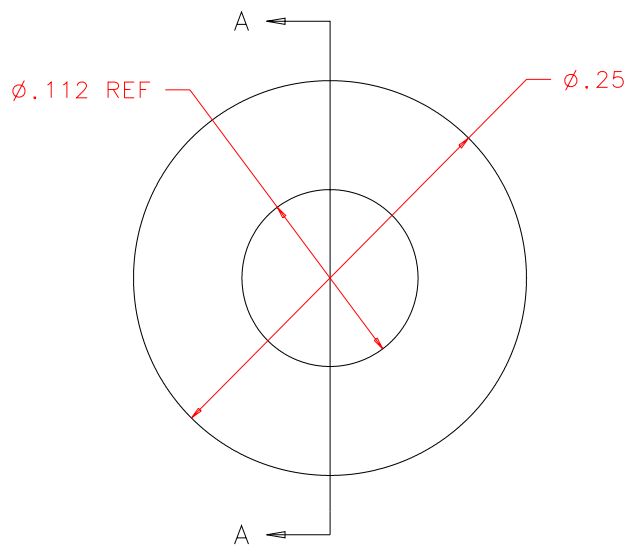
NOTES: UNLESS OTHERWISE NOTED

1. MACHINED SURFACE ROUGHNESS 64  
O-RING GROOVES AND SURFACES 32
2. REMOVE ALL BURRS/SHARP CORNERS

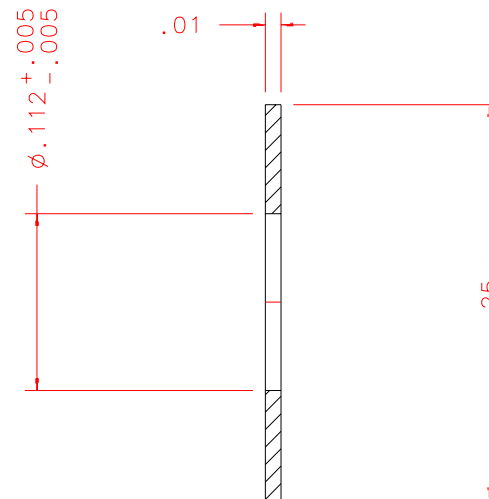
TO BE MADE BY LAB-  
TECHNICIAN AT IFA

BILL OF MATERIAL

NO.	REQ'D	REF DRW	DESCRIPTION	MATERIAL
N/A	4	SD4-021A	MICA WASHER	MICA



FRONT



SECTION A-A

PLOT: 10/19/99

SD4-001B  
NEXT ASSY

REVDATE: N/A	REVISION: N/A	
DATE: 04/09/99	<b>INSTITUTE FOR ASTRONOMY</b> 2680 WOODLAWN DR. HONOLULU, HI 96822	
DESIGN: STAHLBERGER		
DRAWN: STAHLBERGER		
APPR'D: J. RAYNER		
<b>TOLERANCES</b>		
X.X +/- .015	INSTRUMENT: SPEX - CROSS DISPERSED SPECTROGRAPH PART NAME: MICA WASHER TELESCOPE: IRTF	
X.XX +/- .005		
X.XXX +/- .002		
ANGLE +/- 30 min		
FRACTION +/- 1/32		
DRW NO: SD4-021A	SCALE: 8:1	
SIZE: A	JOS NO: 725	SHEET: 1 OF 1