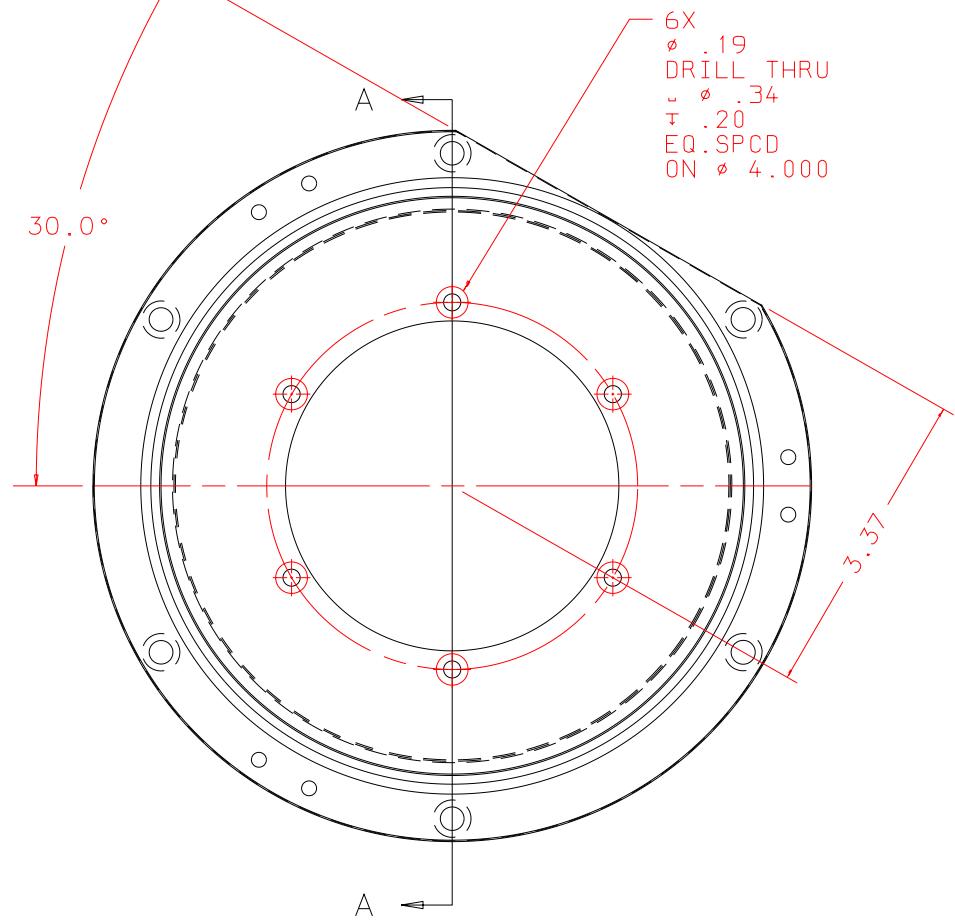


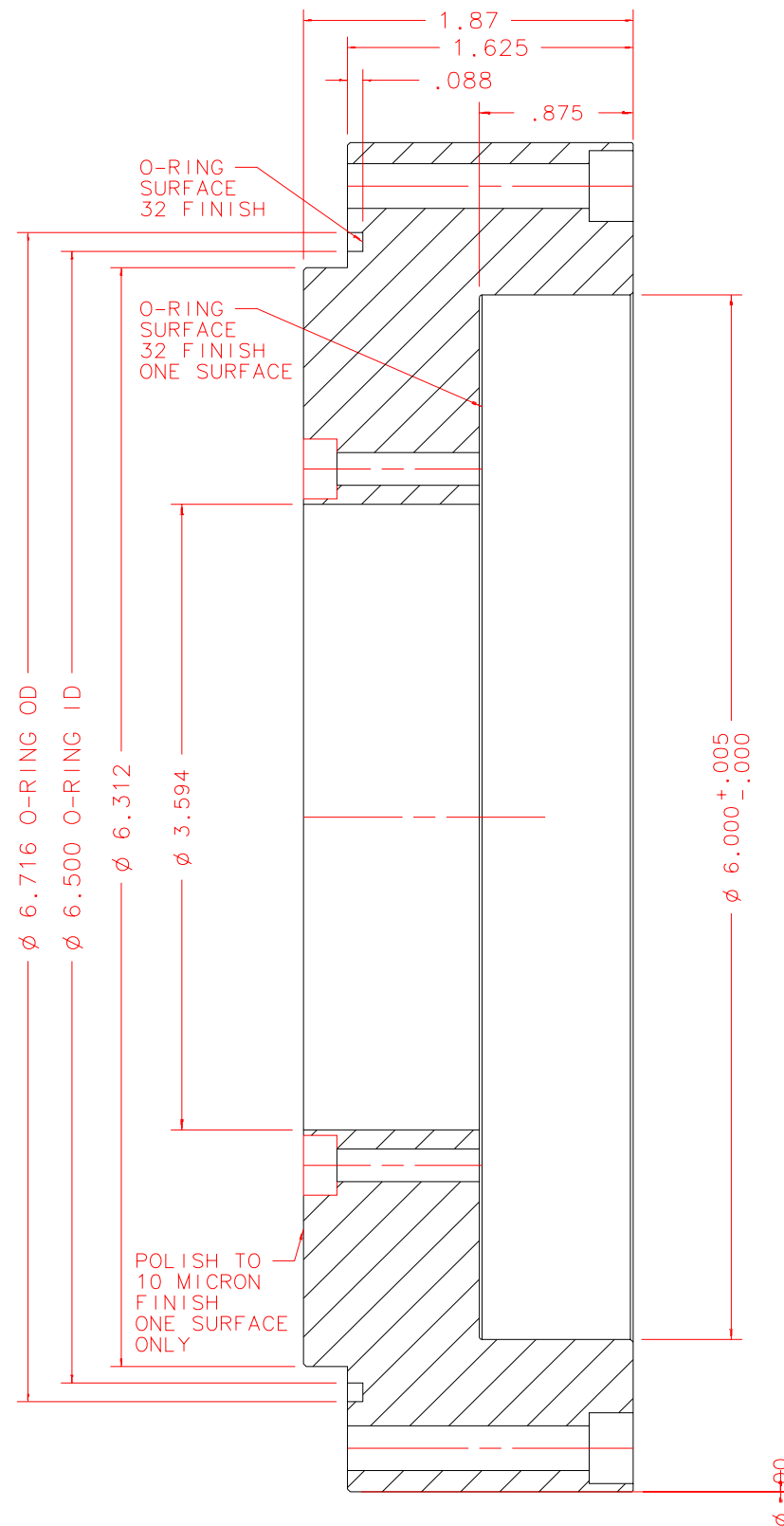
NOTES: UNLESS OTHERWISE NOTED
 1. MACHINED SURFACE ROUGHNESS 64
 O-RING GROOVES AND SURFACES 32
 2. REMOVE ALL BURRS/SHARP CORNERS

| BILL OF MATERIAL | | | | |
|------------------|-------|----------|-----------------------|-------------|
| NO. | REQ'D | REF DRW | DESCRIPTION | MATERIAL |
| N/A | 1 | SD0-016B | VACUUM JACKET ADAPTOR | ALU 6061-T6 |

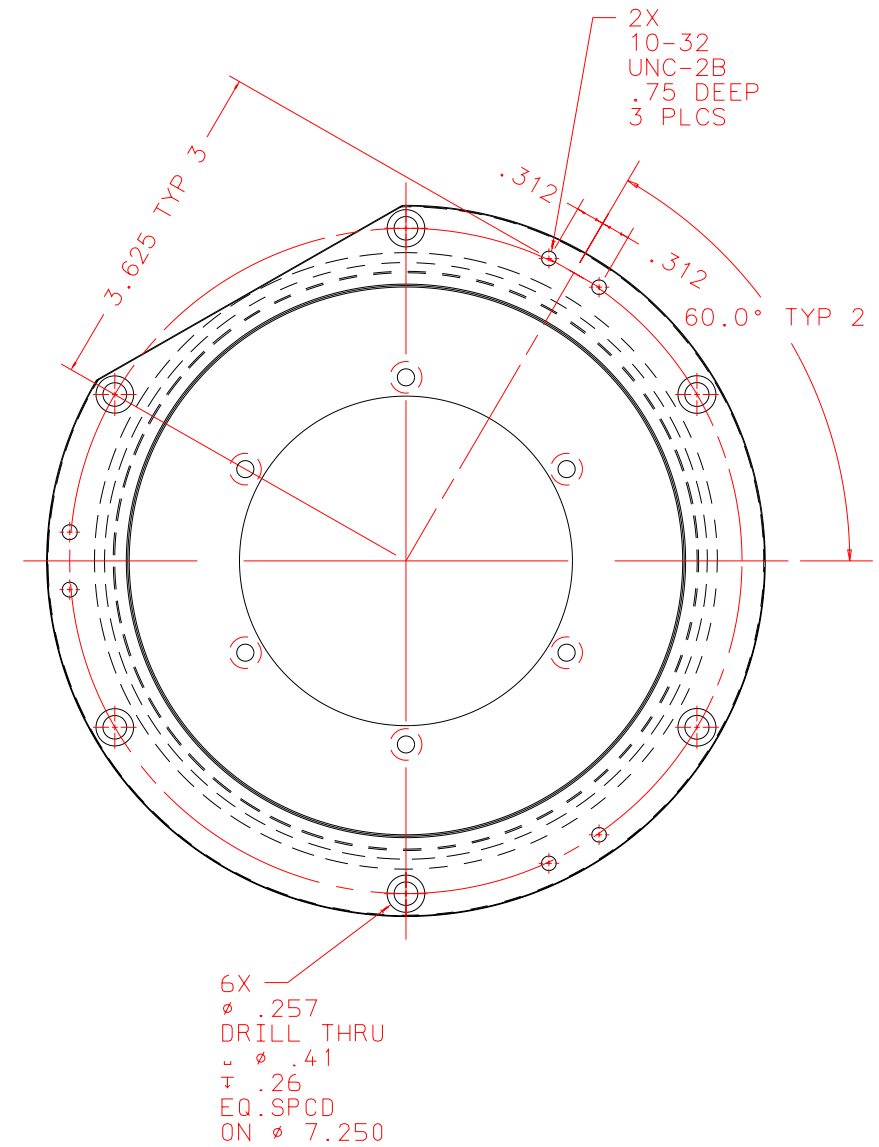
ANODIZE:
 COLOR: TBD
 MASKING: POLISHED
 SURFACES



FRONT



SECTION A:A
 SCALE 1:1



BACK

| | | |
|---------------------|---|---------------|
| REVDATE: 03/17/98 | REVISION: THE 3.594 HOLE WILL BE PUT IN NOW | |
| REVDATE: N/A | REVISION: N/A | |
| DATE: 01/08/97 | INSTITUTE FOR ASTRONOMY | |
| DESIGN: STAHLBERGER | 2680 WOODLAWN DR. HONOLULU, HI 96822 | |
| DRAWN: STAHLBERGER | INSTRUMENT: SPEX - CROSS DISPERSED SPECTROGRAPH | |
| APPR'D: J. RAYNER | PART NAME: VACUUM JACKET ADAPTOR | |
| TOLERANCES | TELESCOPE: IRTF | |
| X.X +/- .015 | | |
| X.XX +/- .005 | | |
| X.XXX +/- .002 | | |
| ANGLE +/- 30 min | | |
| FRACTION +/- 1/32 | | |
| SD0-001B | DRW NO: SD0-016B | SCALE: 1:2 |
| NEXT ASSY | SIZE: B | JOS NO: 762 |
| | | SHEET: 1 OF 2 |