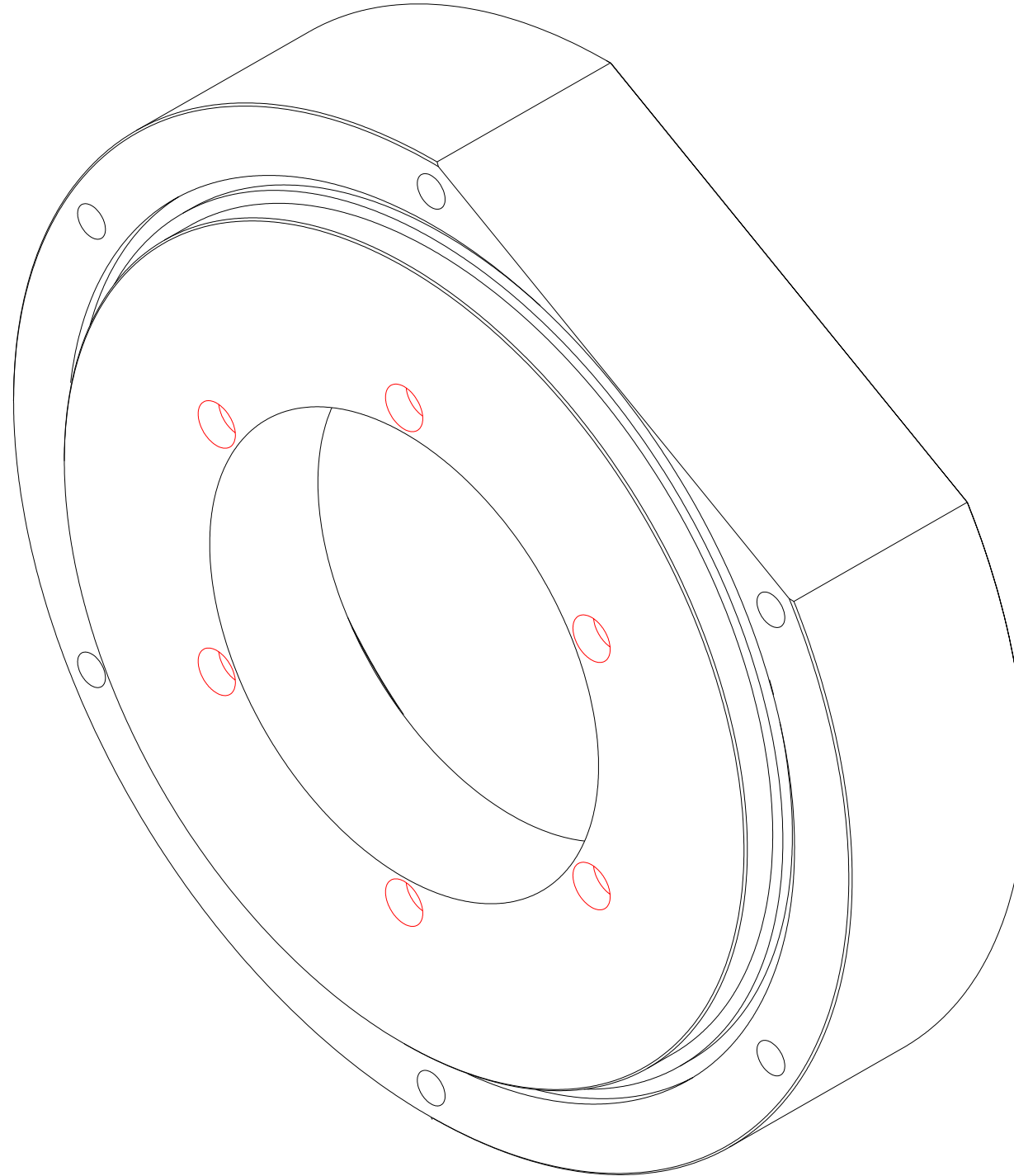


NOTES: UNLESS OTHERWISE NOTED
 1. MACHINED SURFACE ROUGHNESS 64
 O-RING GROOVES AND SURFACES 32
 2. REMOVE ALL BURRS/SHARP CORNERS

BILL OF MATERIAL				
NO.	REQ'D	REF DRW	DESCRIPTION	MATERIAL
N/A	1	SD0-016B	VACUUM JACKET ADAPTOR	ALU 6061-T6

ANODIZE :
 COLOR : TBD
 MASKING : POLISHED
 SURFACES



ISOMETRIC
 SCALE ~ 1:1

PLOT: 10/19/99

SD0-001B
 NEXT ASSY

REVDATE: 03/17/98	REVISION: THE 3.594 HOLE WILL BE PUT IN NOW
REVDATE: N/A	REVISION: N/A
DATE: 01/08/97	INSTITUTE FOR ASTRONOMY
DESIGN: STAHLBERGER	2680 WOODLAWN DR. HONOLULU, HI 96822
DRAWN: STAHLBERGER	INSTRUMENT: SPEX - CROSS DISPERSED SPECTROGRAPH
APPR'D: J. RAYNER	PART NAME: VACUUM JACKET ADAPTOR
TOLERANCES	
X.X	+/- .015
X.XX	+/- .005
X.XXX	+/- .002
ANGLE	+/- 30 min
FRACTION	+/- 1/32
DRW NO: SD0-016B	SCALE: 1:2
SIZE: B	JOS NO: 762
	SHEET: 2 OF 2